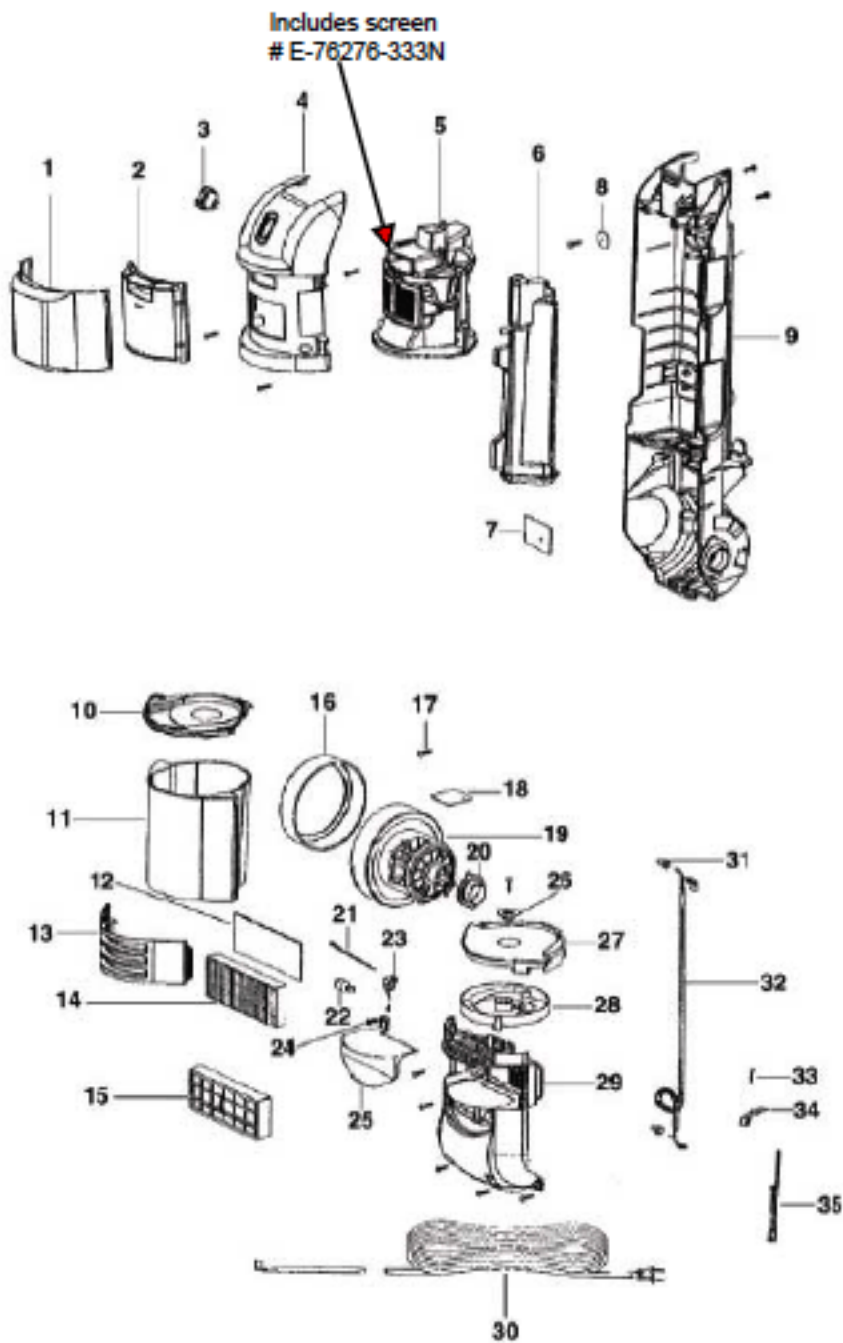


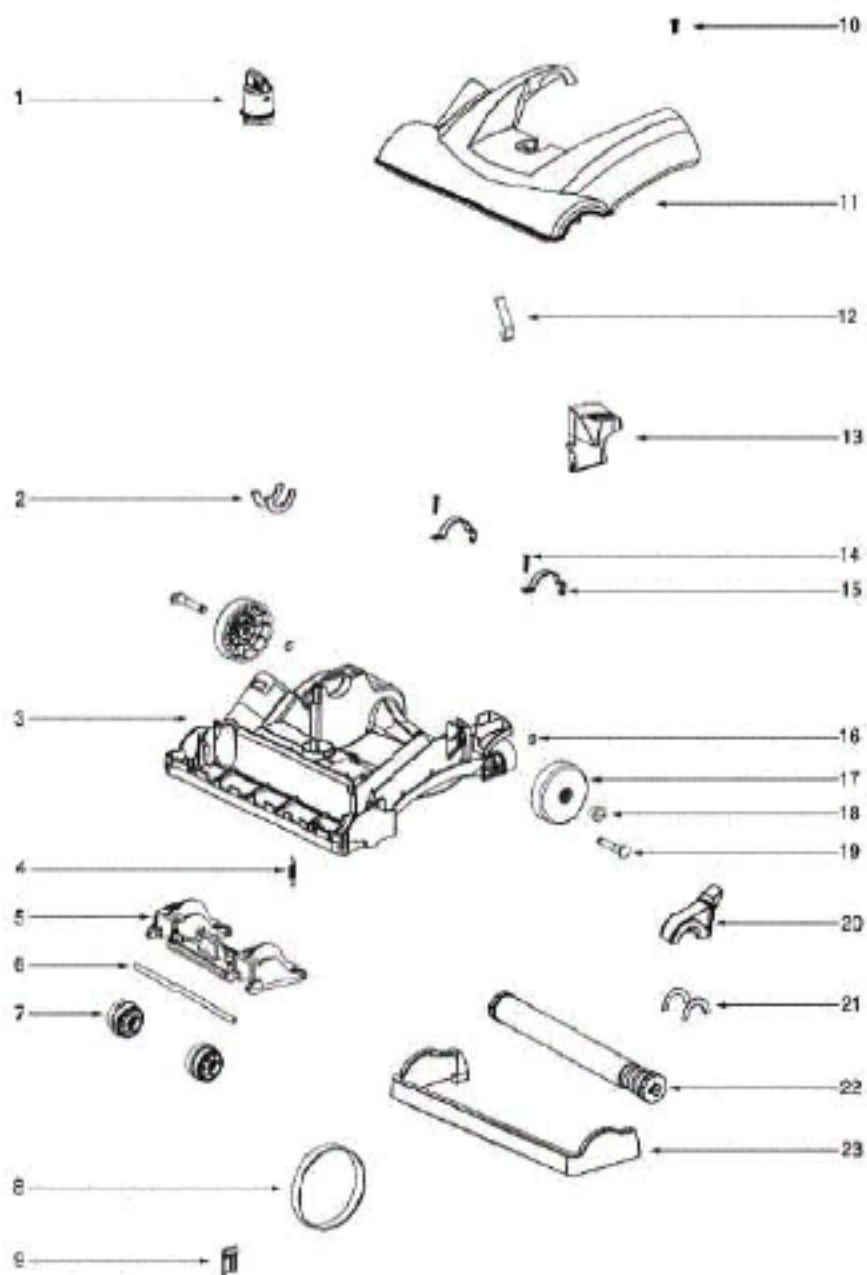
Handle - Accessories - 2961AVZ

Ref #	Part	Description	Comments	Qty
1	72221-355N	CAP - HANDLE		
2	60990-2	COMBINATION BRSH BRSTLD-C		
3	53238-27	SCREW PACKAGE	Pkg. of 10	
4	71725-313N	ADAPTER - HOSE		
5	60038-9	HOSE ASSEMBLY - CARTONED		
6	70559A-355N	COUPLING - HOSE		
7	73012	PACKAGE - HARDWARE		
8	74149			
9	71492A	NESTING WAND ASSEMBLY	Includes 71973-119N Outer Wand and 71956A-355N Crevice Wand	
10	73649-355N	LOWER HOSE HOLDER		
11	53238-27	SCREW PACKAGE	Pkg. of 10	
13	73694-355N	CLIP - WAND		
14	39977-355N	HOOK - CORD		
15	75765-3	HANDLE ASSEMBLY (DUSTER)		
16	75405-355N	CLIP - TURBO	Turbo clip - not pictured.	
17	75628-2	ELECTROSTATIC DUSTER ASSY	Not pictured.	
18	74123-1	DUSTER ASSEMBLY	Not pictured.	
19	75391	TURBO NOZZLE ASSEMBLY	Not pictured.	



Main Body - 2961AVZ

Ref #	Part	Description	Comments	Qty
1	76558	FILTER DOOR & GRAPHICS AS		
2	76552	FILTER AND FOAM ASSEMBLY	Includes 76354 Foam	
3	76464	SWITCH - 2 POSITION (ROUN		
4	63195-5	CYCLONE COVER ASSEMBLY -		
5	76550	CYCLONE ASSEMBLY		
6	76549	AIR DUCT ASSEMBLY		
7	74169	SHIELD - WIRING		
8	74178	WASHER - FIBER		
9	76548	REAR HOUSING ASSEMBLY	Includes motor cover gasket 72622-2	
11	73301-452N	CUP		
12			Not on this model.	
13	74333-8	EXHAUST FLTR DOOR&GRPHCS		
14			Not on this model.	
15	61850	HEPA FILTER PKG - STYLE H		
16	72476-119N	GASKET - MOTOR CAN		
17	62082	SCREW PACKAGE	Pkg of 10.	
18	73526	SHIELD - MOTOR		
19	62075-1	MOTOR ASSEMBLY - CTND		
20	72650-119N	BUSHING - MOTOR		
21	46713-3	TIE - CABLE (PURCHASED)		
22	57940-3	LAMP - HEADLIGHT		
23	388289-5	HEADLIGHT ASSEMBLY		
24	54669-2	SCREW PACKAGE	Pkg of 10.	
25	73313-357N	LENS - HEADLIGHT		
26	73704-355N	CAP - ELEVATOR		
27	73623-355N	PLATFORM - CUP		
28	73624-355N	ACTUATOR - CUP		
29	63196-3	MOTOR COVER ASSEMBLY - PK		
30	39585-24	SUPPLY CORD & TERMINAL AS		
31	60192-1	WIRE SPLICE 5		
32	73001-2	CORD & TERMINAL ASSY		
33	61803-3	SCREW PACKAGE	Pkg of 5.	
34	72443	THERMOSTAT CLIP		
35	74719	THERMOSTAT & TERMINAL ASS		
36	76276-333N		Filter Screen not pictured	



Base and Hood - 2961AVZ

Ref #	Part	Description	Comments	Qty
1	72472-355N	KNOB - HEIGHT ADJUSTMENT		
3	62090-1	BASE ASSEMBLY - PACKAGED		
4	54943	SPRING PACKAGE		
5	72521-119N	WHEEL CARRIAGE		
6	71478	AXLE - FRONT		
7	39173A-119N	WHEEL - FRONT		
8	61120A	BELT PKG ASSY - STYLE U EXT	pkg of 2	
9	38063	GUARD - BELT		
10	54669-2	SCREW PACKAGE		
11	63197	HOOD ASSEMBLY - PKG		
12	71574	SPRING - HANDLE RELEASE		
13	72473-355N	HANDLE RELEASE		
14	53238-27	SCREW PACKAGE		
15	71487	CLAMP - MOTOR		
16	54432-1	PKG-RTNG RING10	pkg of 10	
17	72117-119N	WHEEL - REAR		
18	73432	BUSHING - AXLE		
19	38590A	AXLE - REAR		
20	73289	BELT CAP ASSEMBLY		
21	73114	FELT - BASE		
22	62228-2	BRUSH ROLL ASSY.		
23			Furniture Guard attached to hood assembly.	
2	73114	FELT - BASE		