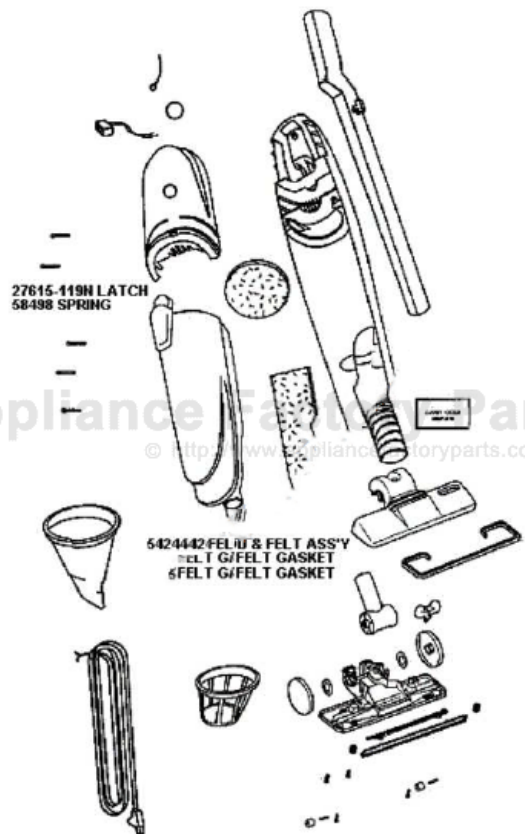


This Owner's Manual is provided and hosted by [Appliance Factory Parts](http://Appliance Factory Parts).



# Eureka 296A Owner's Manual

[Shop genuine replacement parts for Eureka 296A](#)

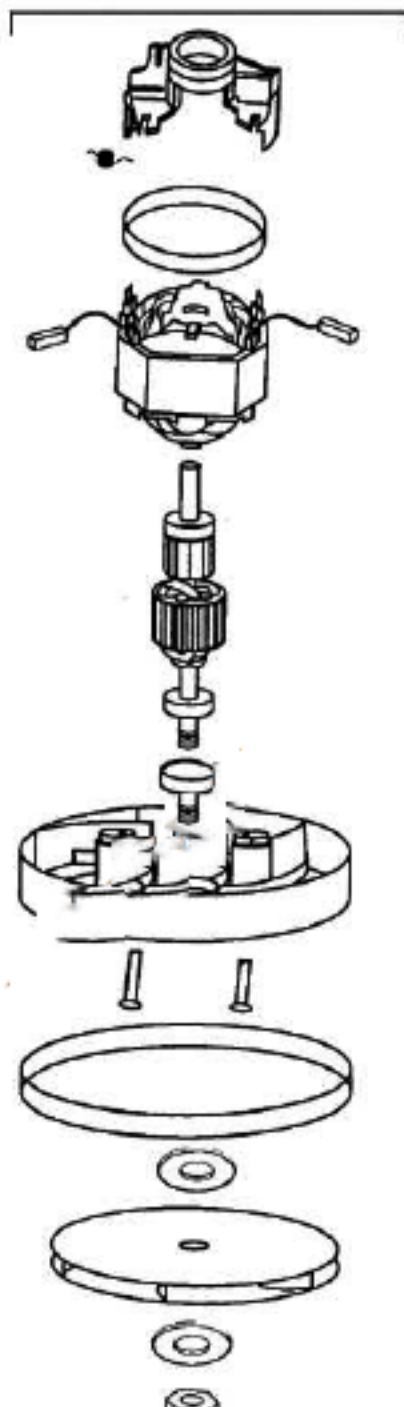


[Find Your Eureka Vacuum Cleaner Parts - Select From 855 Models](#)

----- Manual continues below -----



Entire Motor



Ref #	Part	Description	Comments	Qty
1	02144-119N	HOUSING - REAR		
2	15212-119N	SUPPORT - FILTER		
3	27119-119N	PEDAL - FOOT		
4	27120	LEVER		
5	27125-2	WHEEL - REAR		
7	27615-119N	LATCH		
8	38147-1	BRISTLE STRIP ASSEMBLY		
9	38148	SWITCH		
10	38150-2	GUARD - FURNITURE		
11	38566-119N	KNOB - CONTROL		
12	38588-2	SUPPLY CORD ASSEMBLY		
13	38589-2	WIRE & TERMINAL ASSEMBLY		
14	38596	FINAL FILTER		
15	38599	SOUND FOAM		
16	38649-1	HANDLE ASSEMBLY		
17	53197-1	SCREW PACKAGE		
18	53197-5	SCREW PACKAGE		
19	53257-1	SCREWS - PACKAGE 10		
20	53984-1	WHEEL & AXLE PACKAGE - FR		
22	54885	FILTER ASSY - PKG		
23	56180	FELT WASHER		
24	56999	GASKET - FELT		
25	57360	SPRING		
26	57636	GASKET - FELT		
27	58498	SPRING		
28	60013-3	DIRT CUP & GRAPHICS - PKG		
29	39134-5	DELUXE FLOOR NOZZLE ASSEM		
30	60020-1	MOTOR COVER - PKGD		
	54243-3	DELUXE FLOOR NOZZLE ASSEM		
	27189-1	DELUXE FLOOR NOZZLE ASSEM		

Ref #	Part	Description	Comments	Qty
1	15214-1	FAN - STATIONARY		
2	15216	END CAP (COMMUTATOR)		
3	38038	SPRING BRUSH		
4	38585	FAN ASSY		
5	53088-3	BALL BEARING - PACKAGE		
6	53237-8	SCREWS - PACKAGE 10		
7	54769	BELT - HIP VAC		
8	56467	WASHER		
9	57364	GASKET - MOTOR STACK		
10	57529	WASHER SPRING		
11	58491	CUP - BEARING		
12	60015-3	OBsolete! Please call the service center 1-800-246-7808 for more information.		
13	60016-3	FIELD ASSY - PKG		
14	60017-3	ARMATURE ASSY - PKG		