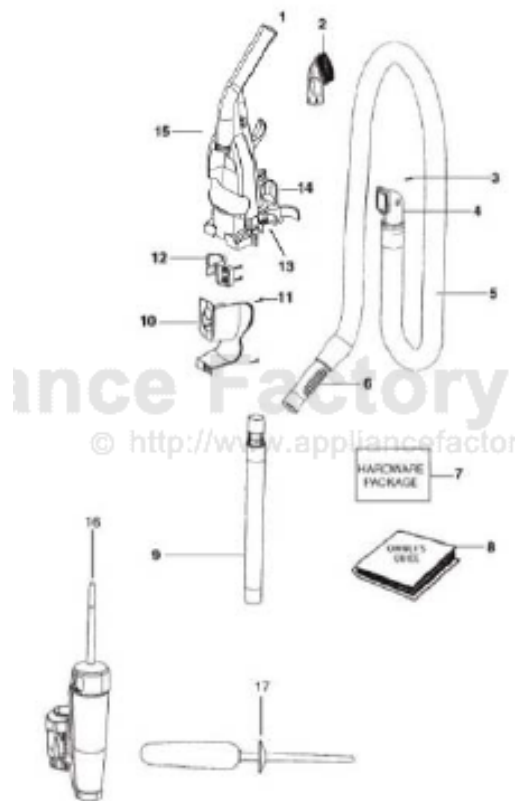


This Owner's Manual is provided and hosted by [Appliance Factory Parts](http://www.appliancefactoryparts.com).



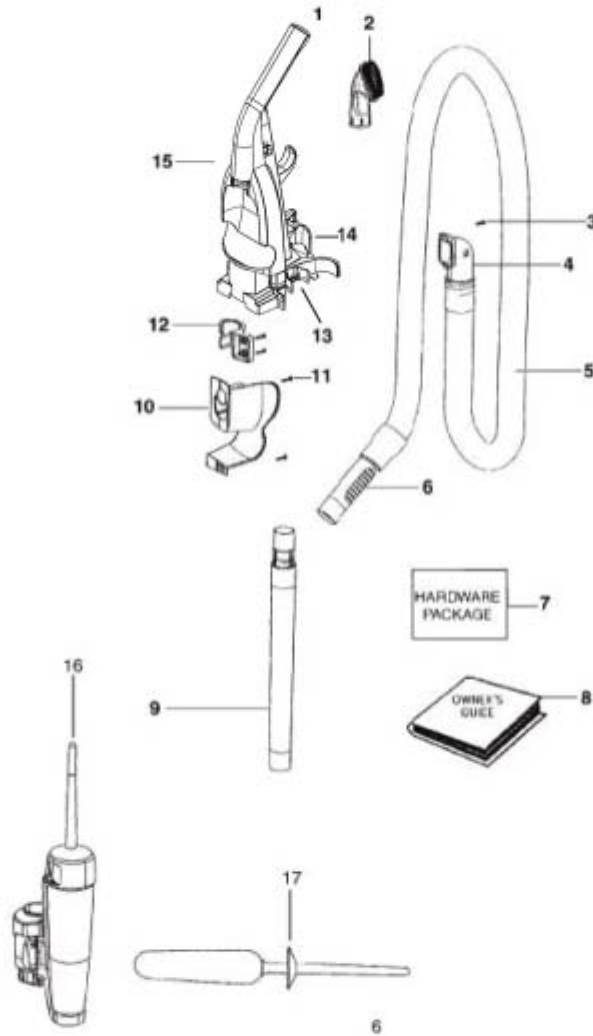
Eureka 2977AV Owner's Manual

[Shop genuine replacement parts for Eureka 2977AV](#)



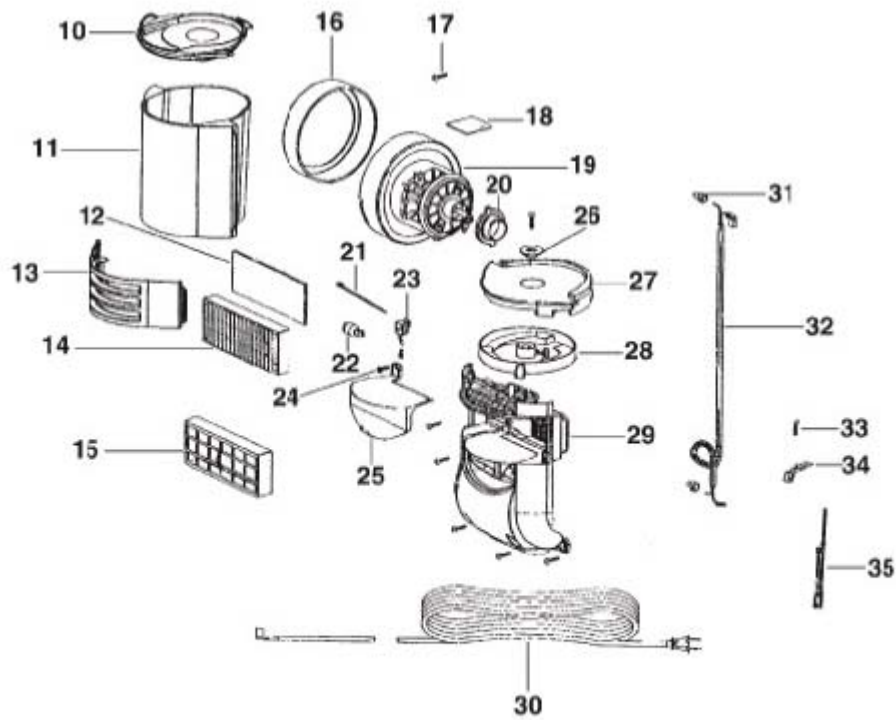
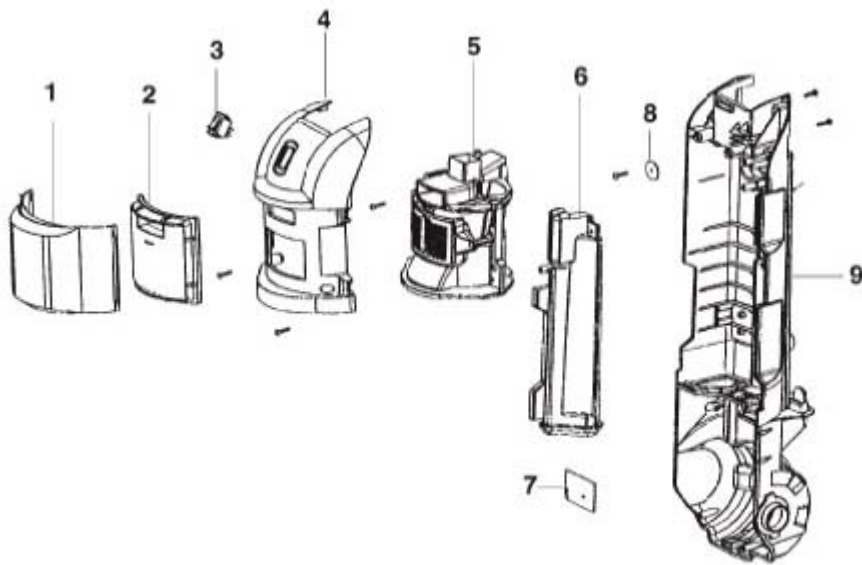
[Find Your Eureka Vacuum Cleaner Parts - Select From 853 Models](#)

----- Manual continues below -----



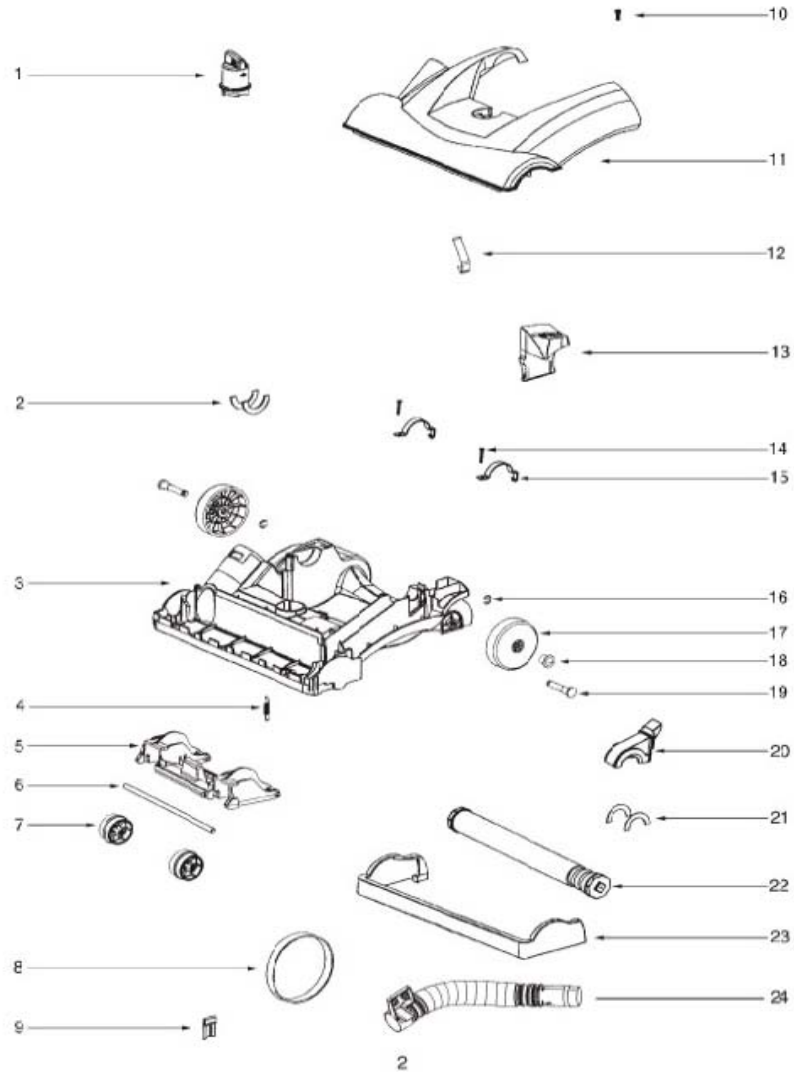
Ref #	Part	Description	Comments	Qty
1	72221-434N	CAP - HANDLE		
2	60990-2	COMBINATION BRSH BRSTLD-C		
3	53238-27	SCREW PACKAGE	Pkg. of 10	
4	71725-313N	ADAPTER - HOSE		
5	60038-9	HOSE ASSEMBLY - CARTONED		
6	70559A-355N	COUPLING - HOSE		
7	73012	PACKAGE - HARDWARE		
8	80244A	OWNERS GUIDE		
9	71492A-1	NESTING WAND ASSEMBLY	Includes 71973-119N Outer Wand and 71956a-355N Crevice Wand	
10	73649-355N	LOWER HOSE HOLDER		
11	53238-27	SCREW PACKAGE	Pkg. of 10	
13	73694-355N	CLIP - WAND		
14	39977-355N	HOOK - CORD		
15	74101-8	HANDLE ASSEMBLY (DUSTER)		
16	75628A-2	ELECTROSTATIC DUSTER ASSY		
17	74123A-1	DUSTER ASSEMBLY		

Main Body - 2977AV



Main Body - 2977AV

Ref #	Part	Description	Comments	Qty
1	76558-15	FILTER DOOR & GRAPHICS AS		
2	76552	FILTER AND FOAM ASSEMBLY		
3	76621	SWITCH - 2 POSITION (ROUN		
4	63195-4	CYCLONE COVER ASSEMBLY -		
5	76550	CYCLONE ASSEMBLY		
6	76549	AIR DUCT ASSEMBLY		
7	74169	SHIELD - WIRING		
9	76548	REAR HOUSING ASSEMBLY	Includes motor cover gasket 72522-2	
11	73301-462N	CUP		
13	74333-23	EXHAUST FLTR DOOR&GRPHCS		
15	61850B	HEPA FILTER PKG - STYLE HF7		
16	72476-119N	GASKET - MOTOR CAN		
17	62082	SCREW PACKAGE	Pkg. of 10	
18	73526	SHIELD - MOTOR		
8	74178	WASHER - FIBER		
20	72650-119N	BUSHING - MOTOR		
21	46713-3	TIE - CABLE (PURCHASED)		
22	57940-3	LAMP - HEADLIGHT		
23	38828B-5	HEADLIGHT ASSEMBLY		
24	54669-2	SCREW PACKAGE	Pkg. of 10	
25	73313-434N	LENS - HEADLIGHT		
26	73704-355N	CAP - ELEVATOR		
27	73623-355N	PLATFORM - CUP		
28	73624-355N	ACTUATOR - CUP		
29	63196-2	MOTOR COVER ASSEMBLY - PK		
30	39585-25	SUPPLY CORD & TERMINAL AS		
19	62075-1	MOTOR ASSEMBLY - CTND		
31	60192-1	WIRE SPLICE 5	Pkg. of 5	
32	73001-2	CORD & TERMINAL ASSY		
33	61803-3	SCREW PACKAGE		
34	72443	THERMOSTAT CLIP		
35	74719	THERMOSTAT & TERMINAL ASS		
36	76276-333N	SCREEN - FILTER	Filter Screen not pictured	



Ref #	Part	Description	Comments	Qty
1	72472-355N	KNOB - HEIGHT ADJUSTMENT		
2	73114	FELT - BASE		
3	62090-3	BASE ASSEMBLY - PACKAGED	Includes items 1,2,4,5,6,7,9,12,13,16,17,18 & 19	
4	54943	SPRING PACKAGE		
5	72521-119N	WHEEL CARRIAGE		
6	71478	AXLE - FRONT		
7	39173A-119N	WHEEL - FRONT		
8	61120A	BELT (LONG LIFE)-U		
9	38063	GUARD - BELT		
10	54669-2	SCREW PACKAGE		
11	62091-10	HOOD ASSEMBLY - PACKAGED		
12	71574	SPRING - HANDLE RELEASE		
13	72473-355N	HANDLE RELEASE		
14	53238-27	SCREW PACKAGE		
15	71487	CLAMP - MOTOR		
16	54432-2	PACKAGE - RETAINING RING	pkg of 10	
17	72117-119N	WHEEL - REAR		
18	73432	BUSHING - AXLE		
19	38590A	AXLE - REAR		
20	73289	BELT CAP ASSEMBLY		
21	73114	FELT - BASE		
22	15929-1	BRUSHROLL ASSEMBLY - CART		
23	75377-355N	FURNITURE GUARD		
24	74104	BASE HOSE ASSEMBLY		