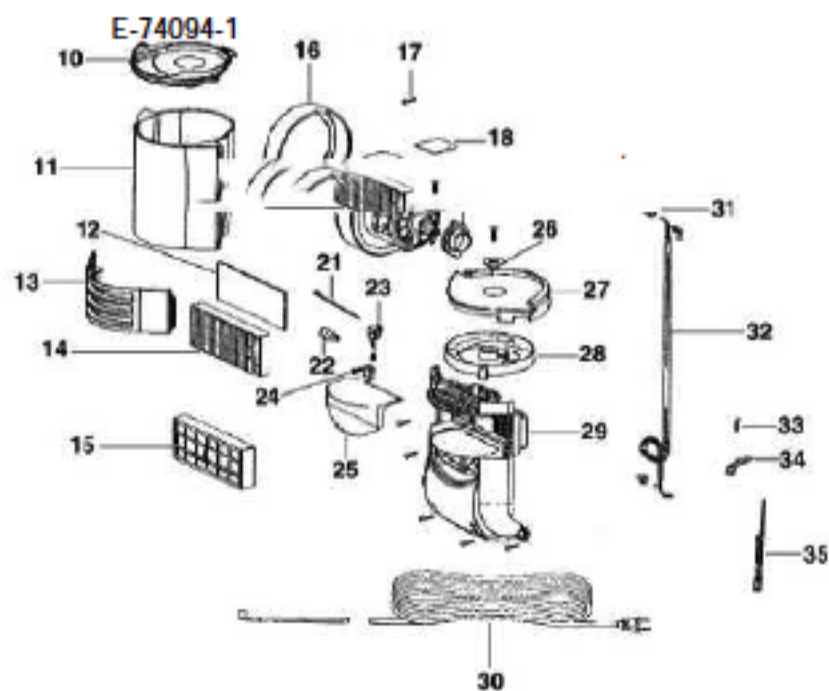
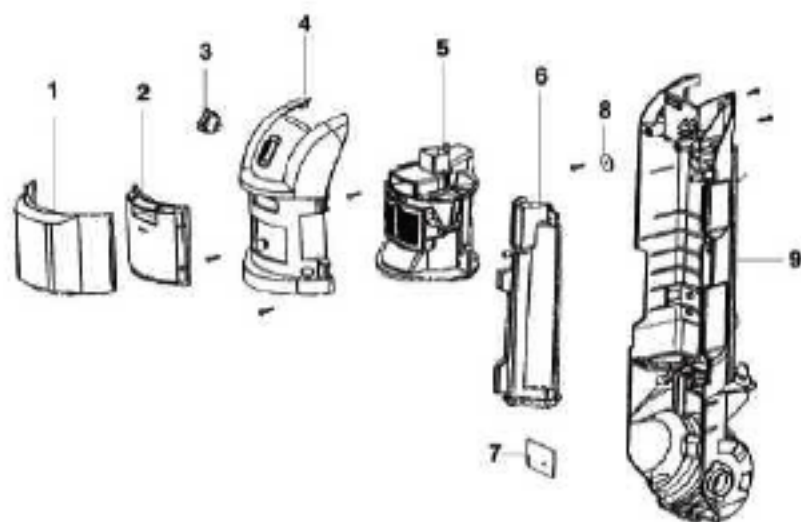
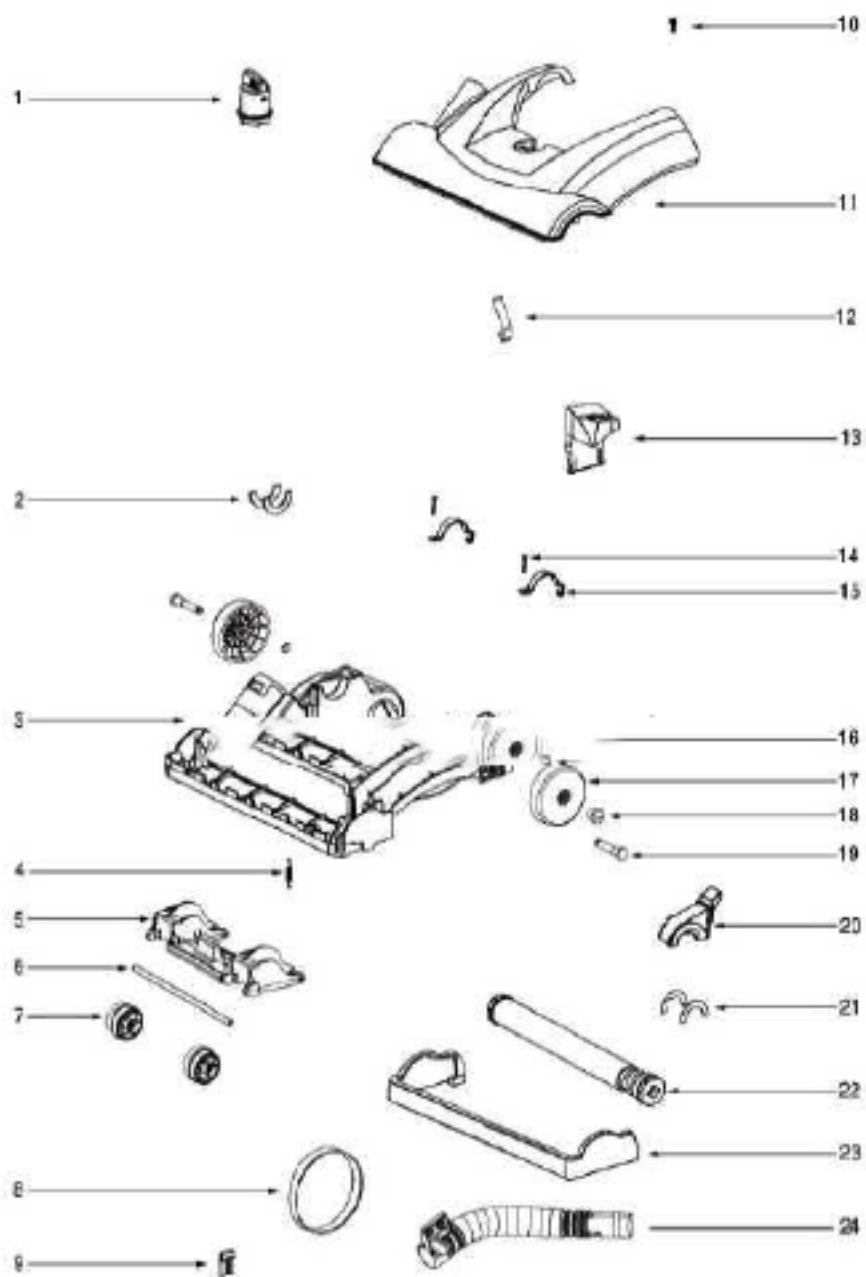


Handle and Accessories - 2996AVZ

| Ref # | Part | Description | Comments | Qty |
|-------|---------------|---------------------------|---|-----|
| 1 | E-72221-355N | CAP - HANDLE | | |
| 2 | E-60990-2 | COMBINATION BRSH BRSTLD-C | | |
| 4 | E-71725-313N | ADAPTER - HOSE | | |
| 5 | E-60038-10 | HOSE ASSEMBLY - CARTONED | | |
| 6 | E-70559A-355N | COUPLING - HOSE | | |
| 7 | E-73012 | PACKAGE - HARDWARE | | |
| 8 | E-74149 | | | |
| 9 | E-71492A | NESTING WAND ASSEMBLY | Includes 71973-119N Outer Wand and 71956a-355N Crevice Wand | |
| 10 | E-73549-355N | LOWER HOSE HOLDER | | |
| 11 | E-53238-27 | SCREW PACKAGE | Pkg. of 10 | |
| 13 | E-73594-355N | CLIP - WAND | | |
| 14 | E-39977-355N | HOOK - CORD | | |
| 15 | E-75765-7 | HANDLE ASSEMBLY (DUSTER) | | |
| 16 | E-75628-2 | ELECTROSTATIC DUSTER ASSY | Includes 73594 | |
| 17 | E-74123-1 | DUSTER ASSEMBLY | | |
| 18 | E-75391 | TURBO NOZZLE ASSEMBLY | Not pictured. | |



| Ref # | Part | Description | Comments | Qty |
|-------|--------------|---------------------------|-------------------------------------|-----|
| 1 | E-76558 | FILTER DOOR & GRAPHICS AS | | |
| 2 | E-76552 | FILTER AND FOAM ASSEMBLY | | |
| 3 | E-76464 | SWITCH - 2 POSITION (ROUN | | |
| 4 | E-63195-2 | CYCLONE COVER ASSEMBLY - | | |
| 5 | E-76550 | CYCLONE ASSEMBLY | | |
| 6 | E-76549 | AIR DUCT ASSEMBLY | | |
| 7 | E-74169 | SHIELD - WIRING | | |
| 9 | E-76548 | REAR HOUSING ASSEMBLY | Includes motor cover gasket 72522-2 | |
| 11 | E-73301-462N | CUP | | |
| 13 | E-74333-15 | EXHAUST FLTR DOOR&GRPHCS | | |
| 14 | | | Not on this model. | |
| 16 | E-72476-119N | GASKET - MOTOR CAN | | |
| 17 | E-62082 | SCREW PACKAGE | Pkg. of 10 | |
| 18 | E-73526 | SHIELD - MOTOR | | |
| 8 | E-74178 | WASHER - FIBER | | |
| 20 | E-72650-119N | BUSHING - MOTOR | | |
| 21 | E-46713-3 | TIE - CABLE (PURCHASED) | | |
| 22 | E-57940-3 | LAMP - HEADLIGHT | | |
| 23 | E-38828B-5 | HEADLIGHT ASSEMBLY | | |
| 24 | E-54669-2 | SCREW PACKAGE | Pkg. of 10 | |
| 25 | E-73313-357N | LENS - HEADLIGHT | | |
| 26 | E-73704-355N | CAP - ELEVATOR | | |
| 27 | E-73623-355N | PLATFORM - CUP | | |
| 28 | E-73624-355N | ACTUATOR - CUP | | |
| 29 | E-63196-4 | MOTOR COVER ASSEMBLY - PK | | |
| 30 | E-39585-24 | SUPPLY CORD & TERMINAL AS | | |
| 12 | | | Not on this model. | |
| 19 | E-62075-1 | MOTOR ASSEMBLY - CTND | | |
| 31 | E-60192-1 | WIRE SPLICE 5 | Pkg. of 5 | |
| 32 | E-73001-2 | CORD & TERMINAL ASSY | | |
| 33 | E-61803-3 | SCREW PACKAGE | | |
| 34 | E-72443 | THERMOSTAT CLIP | | |
| 35 | E-74719 | THERMOSTAT & TERMINAL ASS | | |
| 15 | E-61850A | HEPA FILTER PKG(w/TE) | | |



Base and Hood - 2996AVZ

| Ref # | Part | Description | Comments | Qty |
|-------|---------------|---------------------------|---|-----|
| 1 | E-72472-355N | KNOB - HEIGHT ADJUSTMENT | | |
| 3 | E-62577 | BASE ASSEMBLY - PACKAGED | Includes items 1,2,4,5,6,7,9,12,13,16,17,18 & 19 | |
| 4 | E-54943 | SPRING PACKAGE | | |
| 5 | E-72521-119N | WHEEL CARRIAGE | | |
| 6 | E-71478 | AXLE - FRONT | | |
| 7 | E-39173A-119N | WHEEL - FRONT | | |
| 8 | E-61120A | BELT PKG ASSY-STYLE U EXT | pkg of 2 | |
| 9 | E-38063 | GUARD - BELT | | |
| 10 | E-54689-2 | SCREW PACKAGE | | |
| 11 | E-63194-3 | HOOD ASSEMBLY - PKG | | |
| 12 | E-71574 | SPRING - HANDLE RELEASE | | |
| 13 | E-72473-355N | HANDLE RELEASE | | |
| 14 | E-53238-27 | SCREW PACKAGE | | |
| 15 | E-71487 | CLAMP - MOTOR | | |
| 16 | E-54432-2 | PACKAGE - RETAINING RING | pkg of 10 | |
| 17 | E-72117-119N | WHEEL - REAR | | |
| 18 | E-73432 | BUSHING - AXLE | | |
| 19 | E-38590A | AXLE - REAR | | |
| 20 | E-73289 | BELT CAP ASSEMBLY | Includes item 21 | |
| 21 | E-73114 | FELT - BASE | | |
| 22 | E-62355-2 | BRUSHROLL ASSEMBLY - CRTN | | |
| 23 | E-76683 | FURNITURE GUARD & GRAPHIC | | |
| 2 | E-73114 | FELT - BASE | | |
| 24 | E-74104 | BASE HOSE ASSEMBLY | | |