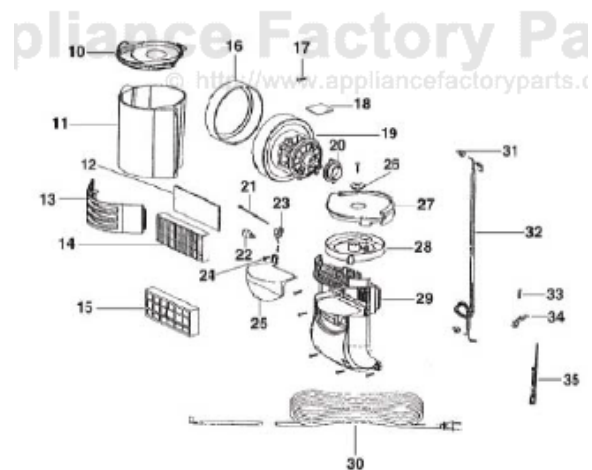
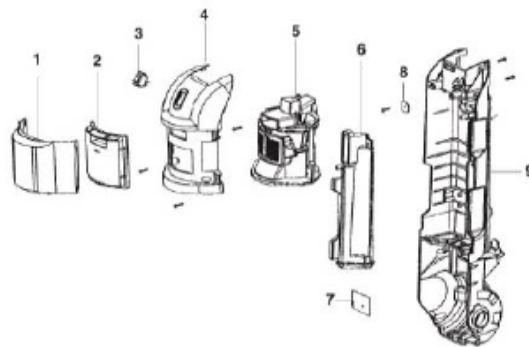


This Owner's Manual is provided and hosted by [Appliance Factory Parts](http://www.appliancefactoryparts.com).



# Eureka 2997AZ Owner's Manual

[Shop genuine replacement parts for Eureka 2997AZ](#)

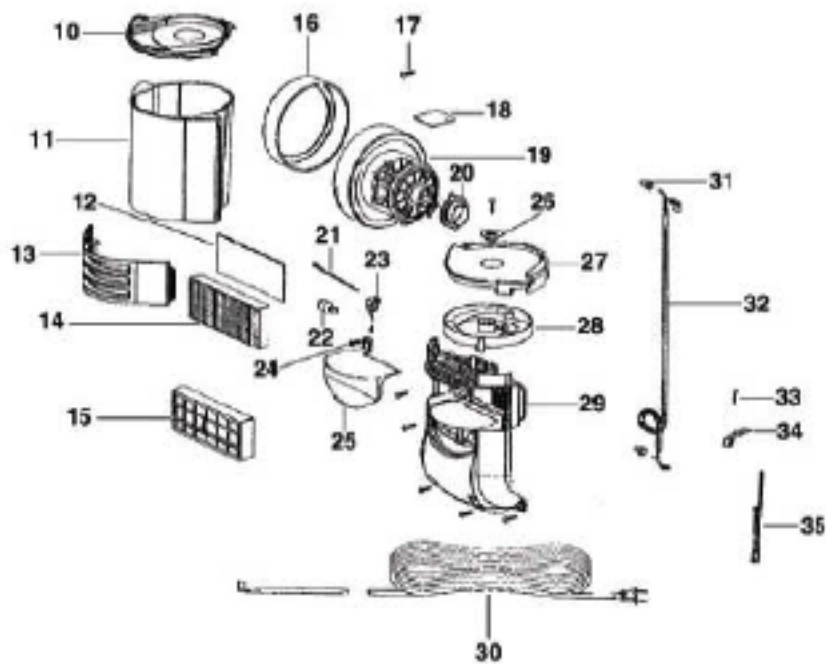
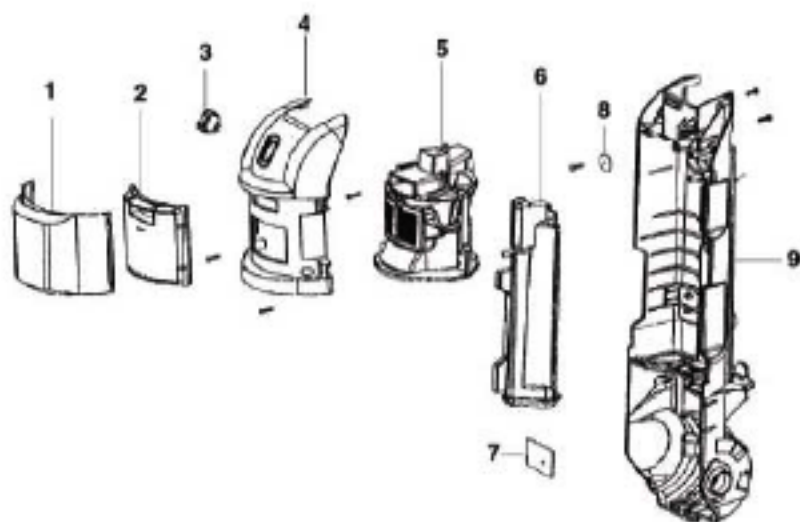


[Find Your Eureka Vacuum Cleaner Parts - Select From 855 Models](#)

----- Manual continues below part list -----

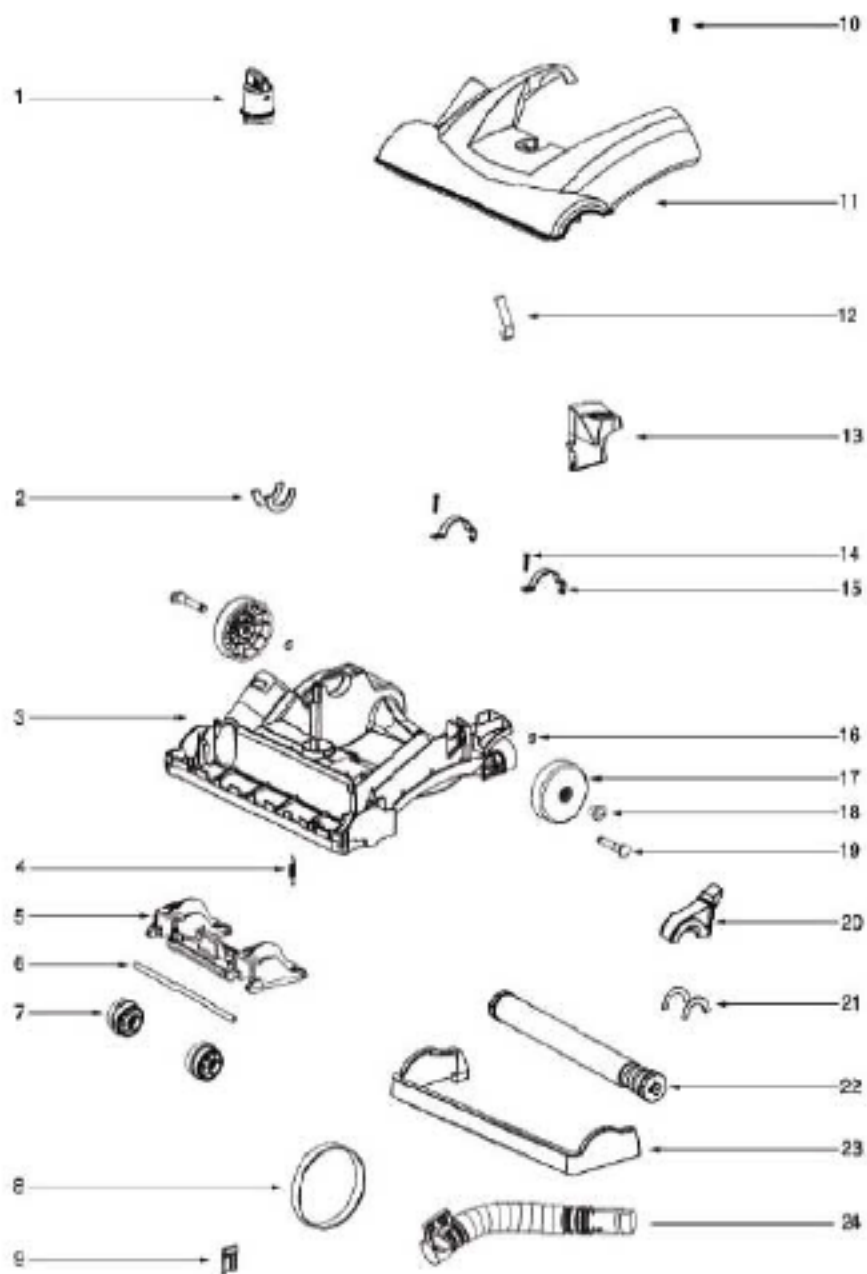
## Available Replacement Parts for Eureka 2997AZ

<a href="#">e-39266</a>	BELT OEM EUREKA EXTENED LIFE 1 PACK
<a href="#">E-61850</a>	FILTER HEPA FOR EUREKA 1 PACK
<a href="#">E-71492</a>	WAND, NESTING W/CREVICE TOOL
<a href="#">e-60990-2</a>	BRUSH
<a href="#">E-71725-313N</a>	ADAPTER-HOSE



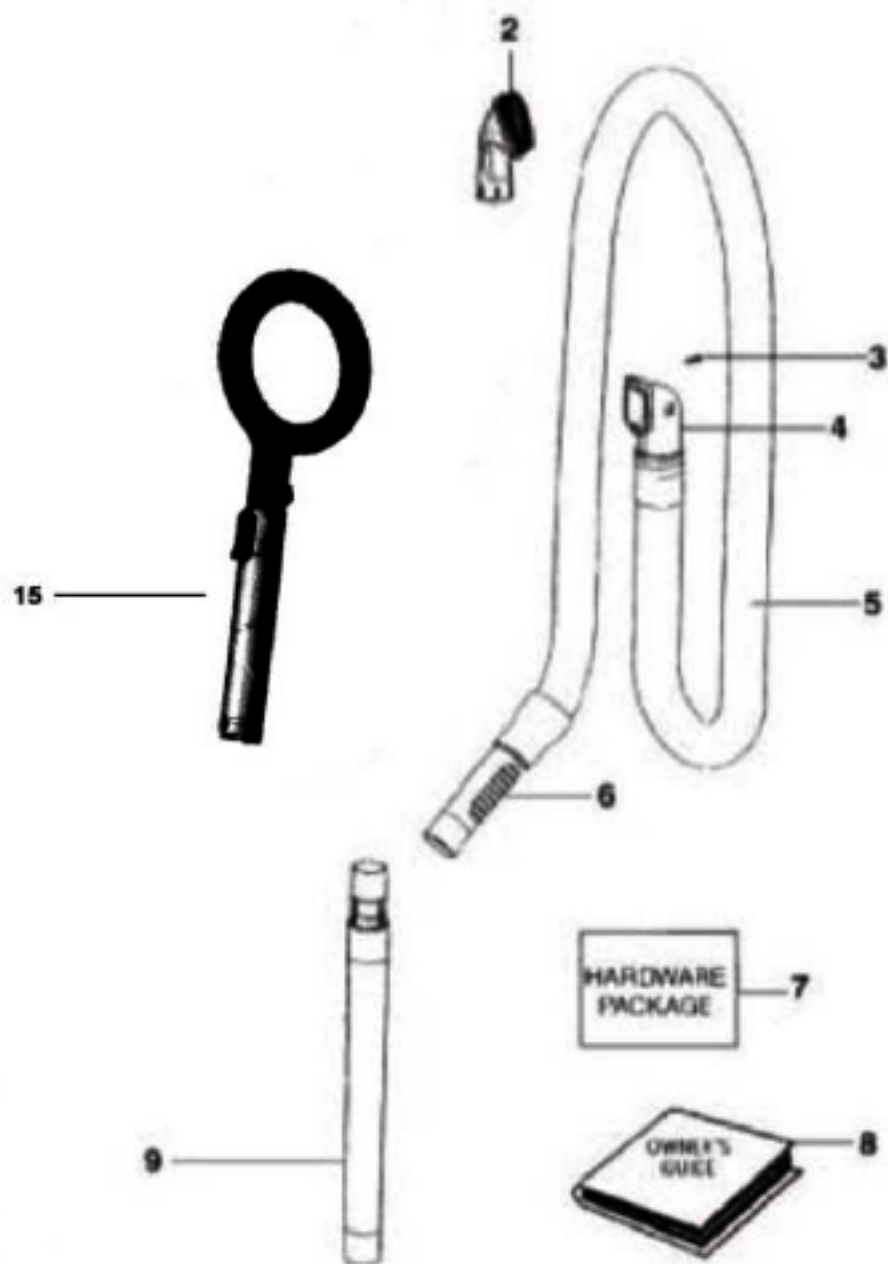
## Main Body - 2997AZ

Ref #	Part	Description	Comments	Qty
1	76558	FILTER DOOR & GRAPHICS AS		
2	76552	Filter & Foam Assembly		
3	76464	On/Off Switch		
4	63199-1	CYCLONE COVER ASSEMBLY -		
5	76550	CYCLONE ASSEMBLY		
6	76549	AIR DUCT ASSEMBLY		
7	74169	SHIELD-WIRING		
9	76910	REAR HOUSING ASSEMBLY	Includes motor cover gasket 72522-2	
11	73301-462N	CUP		
13	76955-1	EXHAUST FILTER COVER ASSE		
14			Not on this model.	
16	72476-119N	GASKET-MOTOR CAN		
17	62082	SCREW PACKAGE	Pkg. of 10	
18	73526	SHIELD - MOTOR		
8	74178	WASHER - FIBER		
20	72650-119N	BUSHING-MOTOR		
21	46713-3	TIE - CABLE (PURCHASED)		
22	57940-3	HEADLIGHT		
23	38828B-5	HEADLIGHT ASSEMBLY		
24	54669-2	SCREW PKG OF 10	Pkg. of 10	
25	73313-357N	LENS - HEADLIGHT		
26	73704-355N	CAP - ELEVATOR		
27	73623-355N	PLATFORM - CUP		
28	73624-355N	ACTUATOR - CUP		
29	63196-9	MOTOR COVER ASSEMBLY - PK		
30	39585-24	SUPPLY CORD & TERMINAL AS		
12			Not on this model.	
19	62075-1	MOTOR ASSY.		
31	60192-1	WIRE SPLICE 5 (53214-2)	Pkg. of 5	
32	73001-2	CORD & TERMINAL ASSY		
33	61803-3	SCREW PKG		
34	72443	THERMOSTAT CLIP		
35	74719	THERMOSTAT & TERMINAL ASS		
15	61850A	HEPA FILTER PKG. STYLE H		
10			This part is not included on this model.	
36	76276-333N	SCREEN - FILTER	Filter Screen not pictured	



## Base and Hood - 2997AZ

Ref #	Part	Description	Comments	Qty
1	72472-355N	KNOB-HEIGHT ADJUSTMENT		
3	62577	BASE (2972)	Includes items 1,2,4,5,6,7,9,12,13,16,17,18 & 19	
4	54943	SPRING PKG-10		
5	72521-119N	WHEEL CARRIAGE		
6	71478	FRONT AXLE		
7	39173A-119N	FRONT WHEEL (39173-119N)		
8	61120A	BELT (LONG LIFE)-U	pkg of 2	
9	38063	GUARD - BELT (155512)		
10	54669-2	SCREW PKG OF 10		
11	63194-6	HOOD ASSEMBLY - PKG		
12	71574	HANDLE RELEASE SPRING		
13	72473-355N	HANDLE RELEASE		
14	53238-27	SCREW PKG		
15	71487	MOTOR CLAMP		
16	54432-2	PKG-RTNG RING10	pkg of 10	
17	72117-119N	REAR WHEELS		
18	73432	BUSHING-AXLE		
19	38590A	AXLE - REAR		
20	73289	BELT CAP	Includes item 21	
21	73114	FELT BASE		
22	62365-2	BRUSH ROLL ASSY.		
23	76693	FURNITURE GUARD & GRAPHIC		
2	73114	FELT BASE		
24	74104	BASE TUBE		



## Handle and Accessories - 2997AZ

Ref #	Part	Description	Comments	Qty
2	60990-2	COMBO BRUSH (S230)(GE)		
4	71725-313N	ADAPTER HOSE		
5	60038-11	HOSE ASSEMBLY - CARTONED		
6	70558A-355N	COUPLING - HOSE		
7	73012	HARDWARE PACKAGE		
8	74149			
9	71492A	NESTED WAND	Includes 71973-119N Outer Wand and 71956a-355N Service Wand	
15	76958-2	HANDLE & TUBE ASSEMBLY		
18	75391	TURBO NOZZLE ASSEMBLY	Not pictured.	
19	76949	Carry Handle Assembly	Not Pictured	
20	73694-355N	CLIP WAND	Not Pictured	