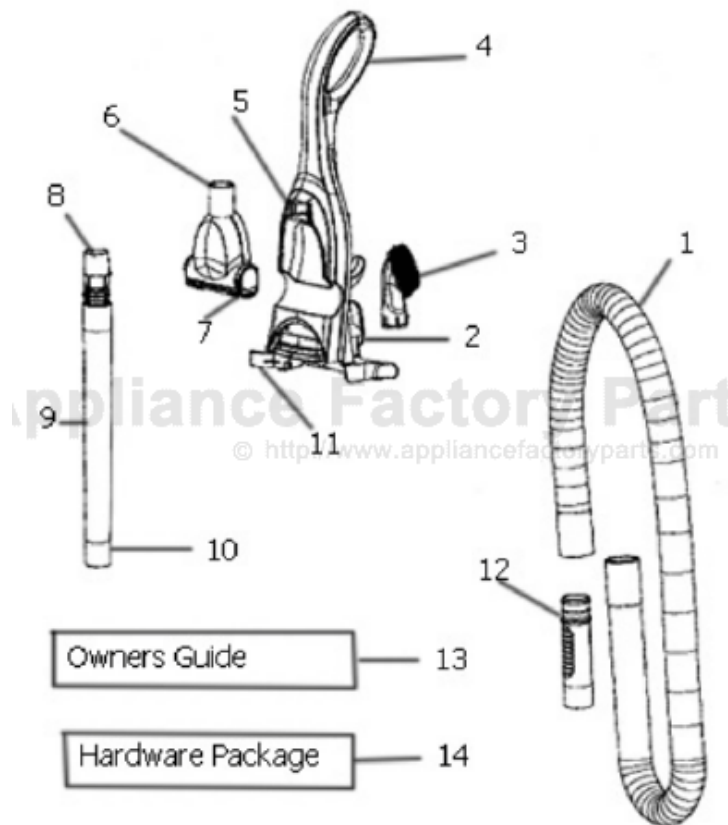


This Owner's Manual is provided and hosted by [Appliance Factory Parts](http://Appliance Factory Parts).



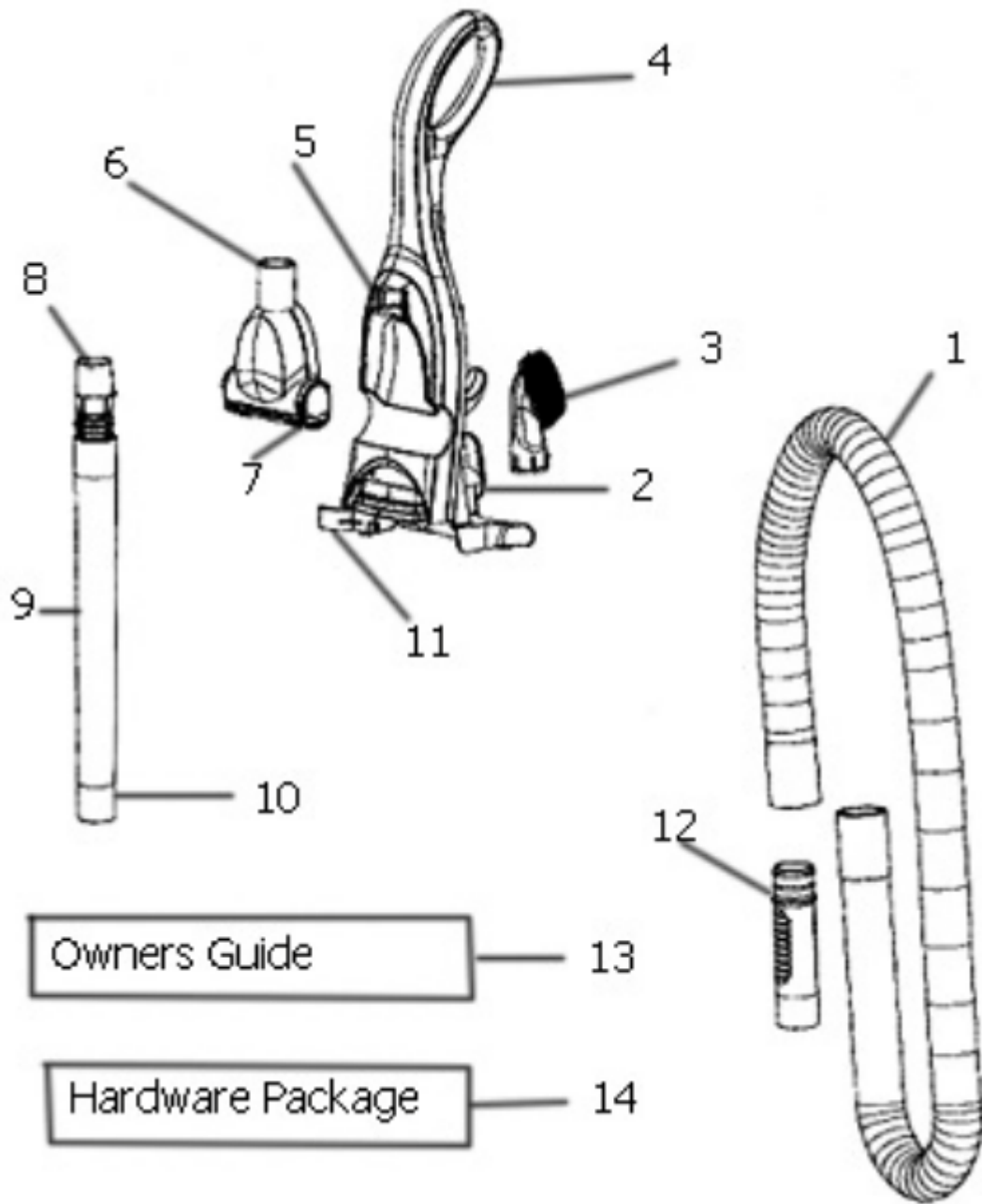
# Eureka 3041AZ Owner's Manual

[Shop genuine replacement parts for Eureka 3041AZ](#)



[Find Your Eureka Vacuum Cleaner Parts - Select From 853 Models](#)

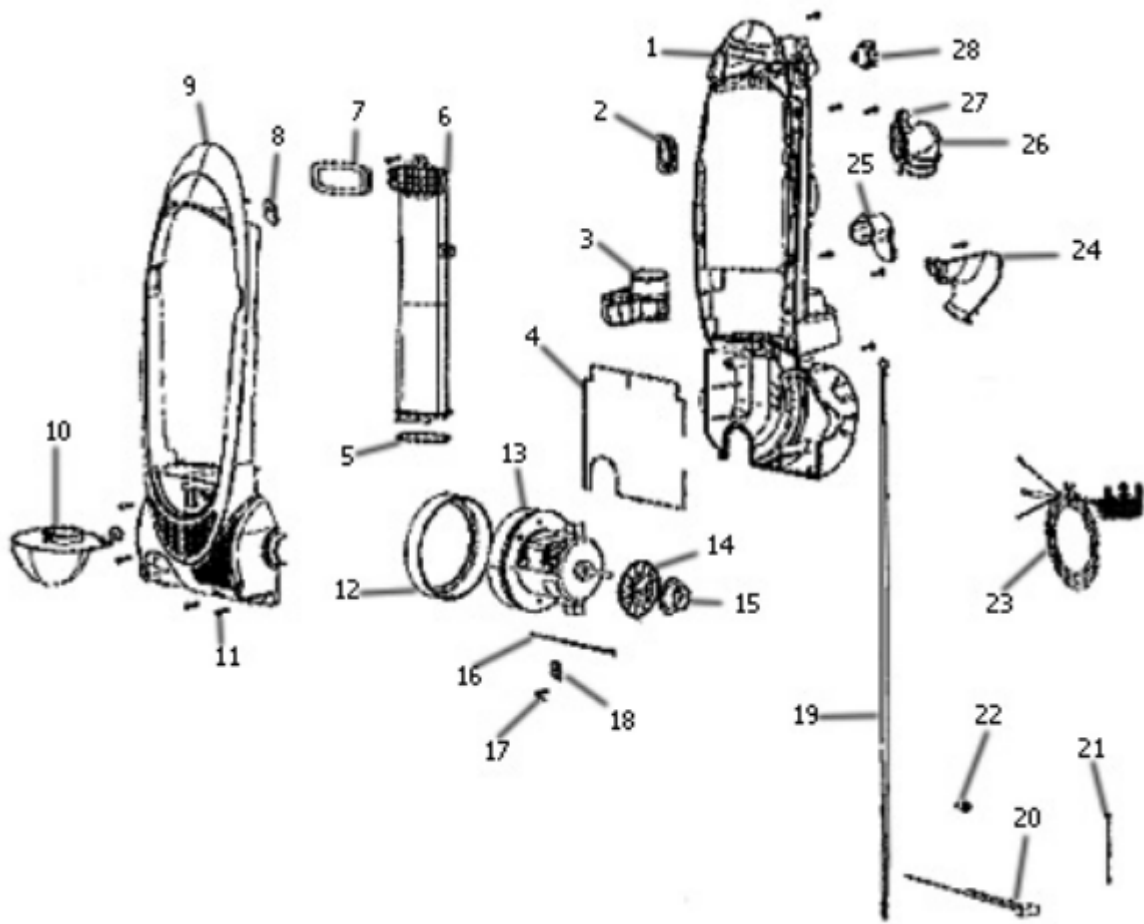
----- Manual continues below -----



Handle & Accessories - 3041AZ

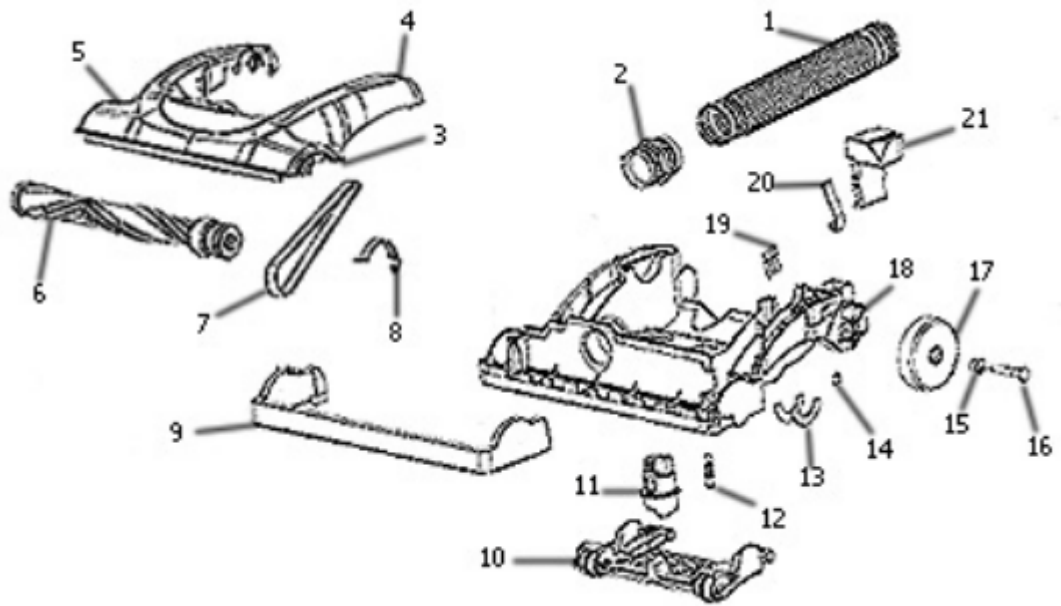
Ref #	Part	Description	Comments	Qty
1	E-77313-3	3:1 STRETCH HOSE		
2	E-80285-355N	HOOK - CORD		
3	E-60990-3	COMBINATION TOOL		
4	E-79800-1	TURBO HANDLE ASSEMBLY		
5	E-79730-355N	CLIP - TURBO		
6	E-75391-3	TURBO NOZZLE ASSEMBLY		
7	E-75914	BELT - TURBO		
8	E-77506-355N	WAND - CREVICE		
9	E-77505-2	NESTING WAND ASSEMBLY		
10	E-77507-366N	WAND - OUTER		
11	E-77431-355N	WAND CLIP		
12	E-77310-355N	HOSE COUPLING		
13	E-80163			
14	E-53238-46	SCREW PACKAGE		

Main Body - 3041AZ



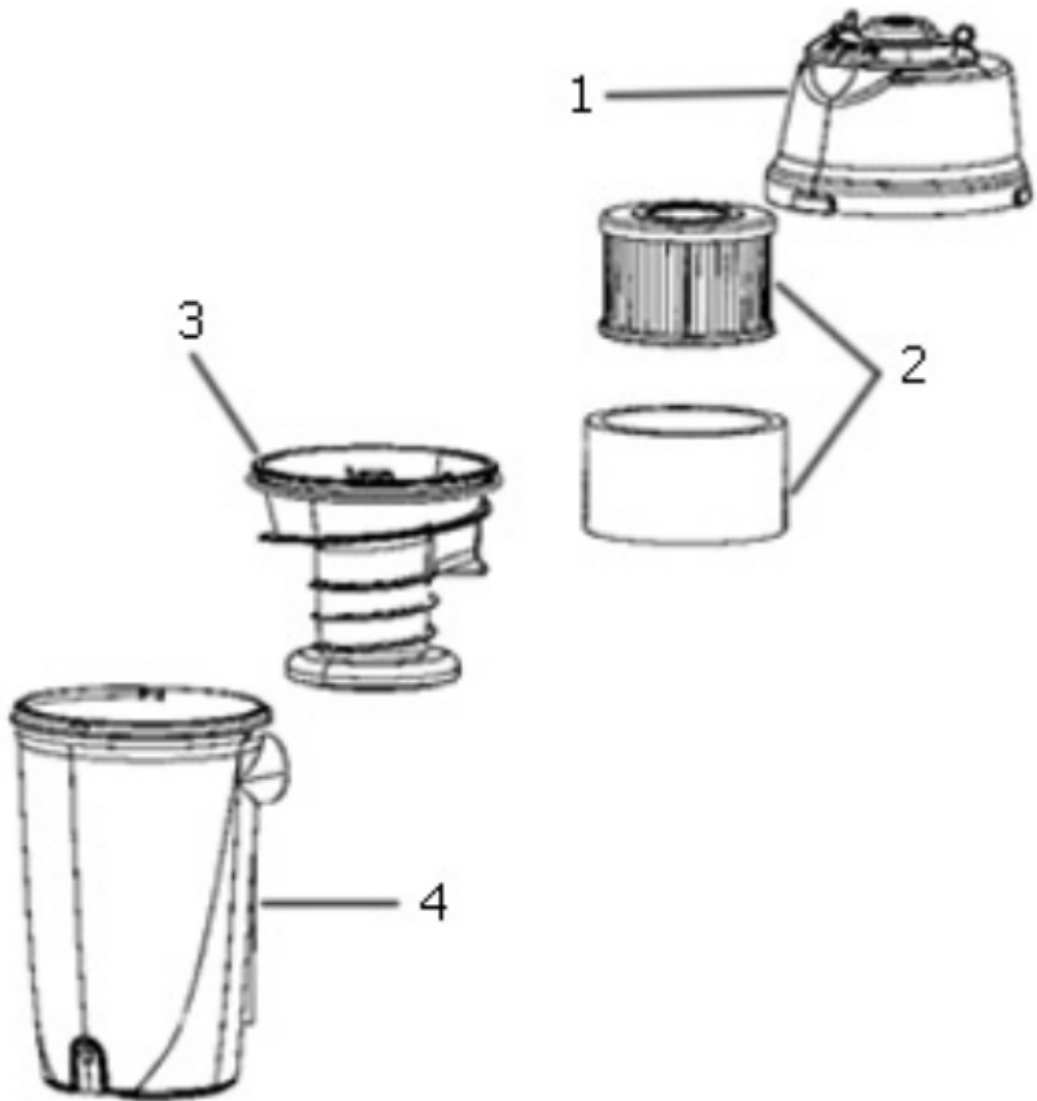
## Main Body - 3041AZ

Ref #	Part	Description	Comments	Qty
1	E-79757-355N	REAR HOUSING (120V)		
2	E-80260	GASKET - HOSE ADAPTER		
3	E-79783-355N	HOSE - WAND SUPPORT		
4	E-80251	GASKET - REAR HOUSING		
5	E-79791	GASKET - AIR DUCT - BOTTO		
6	E-79789-515N	DUCT - AIR		
7	E-79790	GASKET - AIR DUCT - UPPER		
8	E-79792	SHIELD - WIRING		
9	E-79758-515N	COVER - MOTOR (120V)		
10	E-79822-515N	COVER - LIGHT		
11	E-53238-27	SCREW PKG		
12	E-80274	GASKET - MOTOR CAN (120V)		
13	E-63396-2	MOTOR ASSEMBLY - PACKAGED		
14	E-79231-119N	MOTOR ADJUSTMENT RING		
15	E-79229-316N	MOTOR BUSHING-HERMES (LOW		
16		Not on This Unit		
17	E-61803-3	SCREW PKG		
18		Not on This Unit		
19	E-77435-2	CORD & TERMINAL ASSEMBLY		
20		Not on This Unit		
21	E-46713-3	TIE - CABLE (PURCHASED)		
22	E-60192-1	WIRE SPLICE 5 (53214-2)		
23	E-39585-32	SUPPLY CORD & TERMINAL AS		
24	E-79795-515N	LOWER HOSE HOLDER		
25	E-79796-355N	HOOK - CORD		
26	E-80261-313N	ADAPTER - HOSE		
27	E-53238-8	SCREW PKG (15543)(EW312-8-8Z)		
28	E-39455-1	SWITCH-ROCKER		



## Base &amp; Hood - 3041AZ

Ref #	Part	Description	Comments	Qty
1	E-80249	HOSE - BASE		
2	E-80263-316N	ADAPTER - BASE		
3	E-79788	BELT CAP ASSEMBLY		
4	E-63392-7	HOOD ASSEMBLY - PACKAGED		
5	E-53238-8	SCREW PKG (15543)(EW312-8-8Z)		
6	E-63391	DISTURBULATOR ASSEMBLY -		
7	E-61120C	BELT PKG ASSY-STYLE U EXTND LF		
8	E-63395	CLAMP - PACKAGED		
9	E-72474-453N	FURNITURE GUARD		
10	E-79779	WHEEL CARRIAGE ASSEMBLY		
11	E-80262-355N	HEIGHT ADJUSTMENT KNOB		
12	E-54943	SPRING PKG-10		
13	E-73114	FELT BASE		
14	E-54432-2	PKG-RTNG RING10		
15	E-72113-1	BUSHING-AXLE		
16	E-38590A-1	AXLE - REAR		
17	E-80283-453N	WHEEL - REAR		
18	E-15853-2	BASE ASSEMBLY - PACKAGED		
19	E-38063	GUARD - BELT (155512)		
20	E-71574	HANDLE RELEASE SPRING		
21	E-79782-355N	HANDLE RELEASE PEDAL		



Dust Cup - 3041AZ

Ref #	Part	Description	Comments	Qty
1	E-80268-1	DUSTCUP COVER ASSEMBLY		
2	E-79902	FILTER ASSEMBLY		
3	E-80301	FILTER SCREEN & GRAPHICS		
4	E-80272-1	DUSTCUP & DOOR ASSEMBLY		