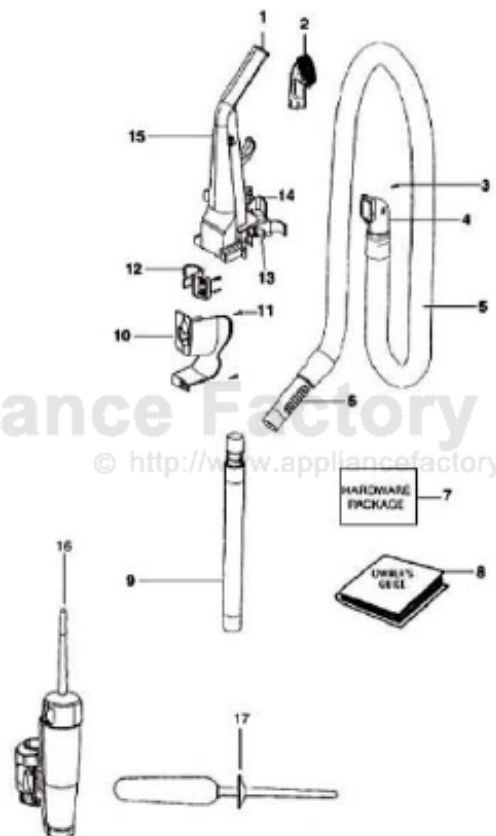


This Owner's Manual is provided and hosted by [Appliance Factory Parts](http://www.appliancefactoryparts.com).



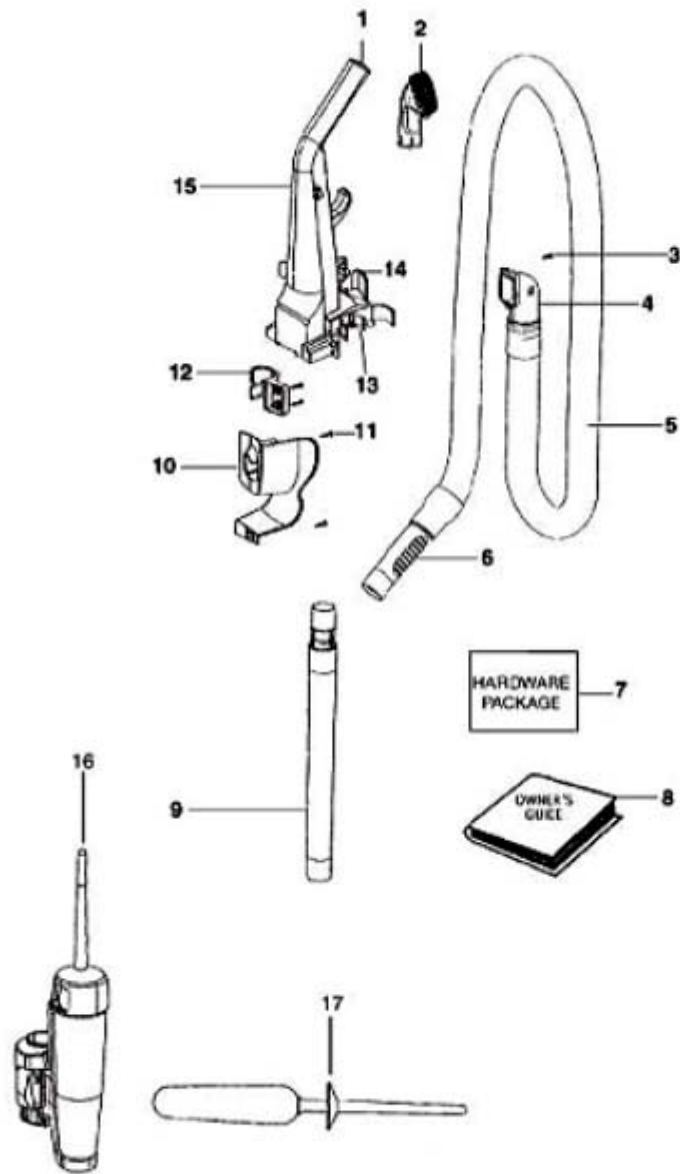
# Eureka 3276AZ Owner's Manual

[Shop genuine replacement parts for Eureka 3276AZ](#)

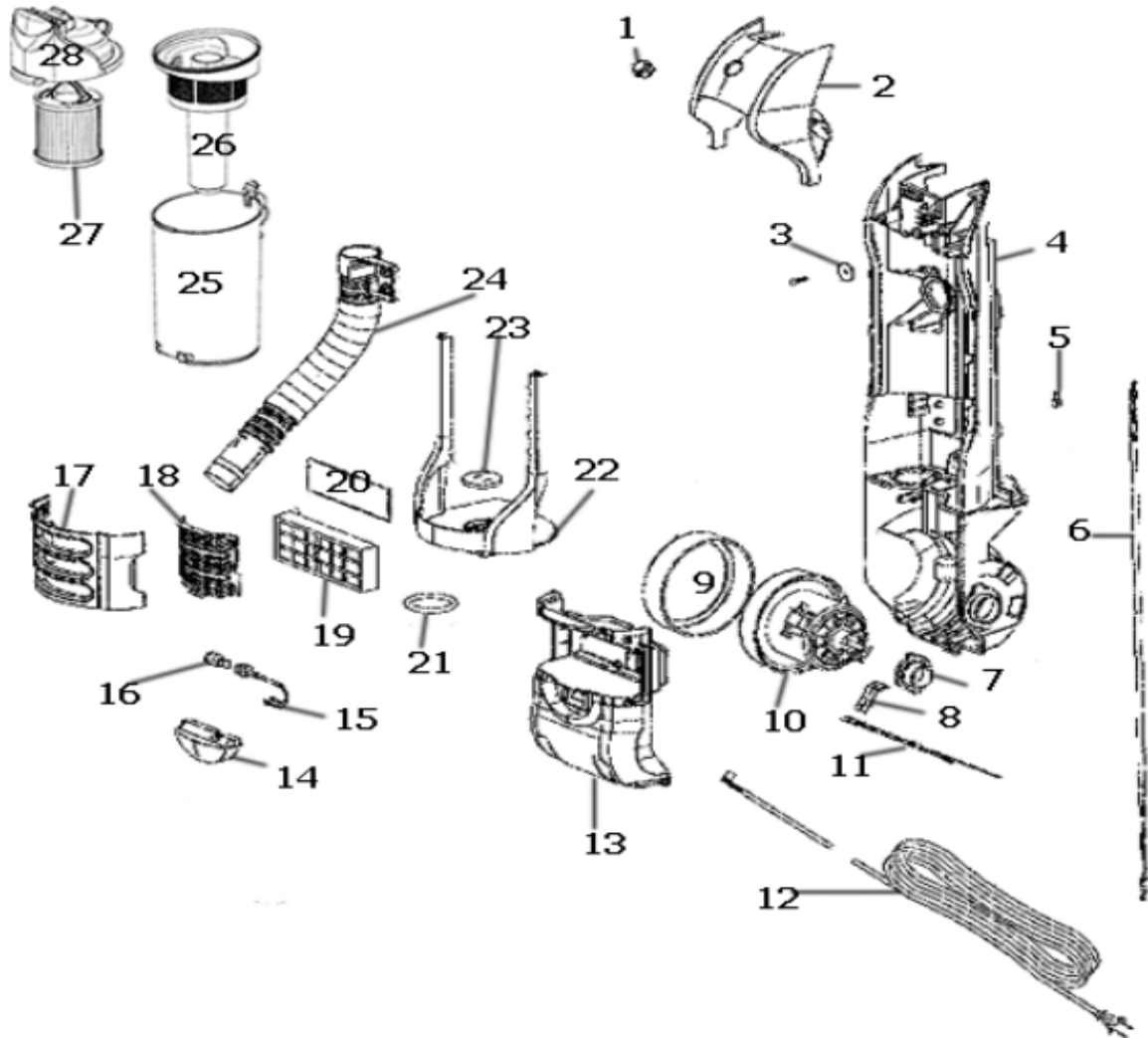


[Find Your Eureka Vacuum Cleaner Parts - Select From 853 Models](#)

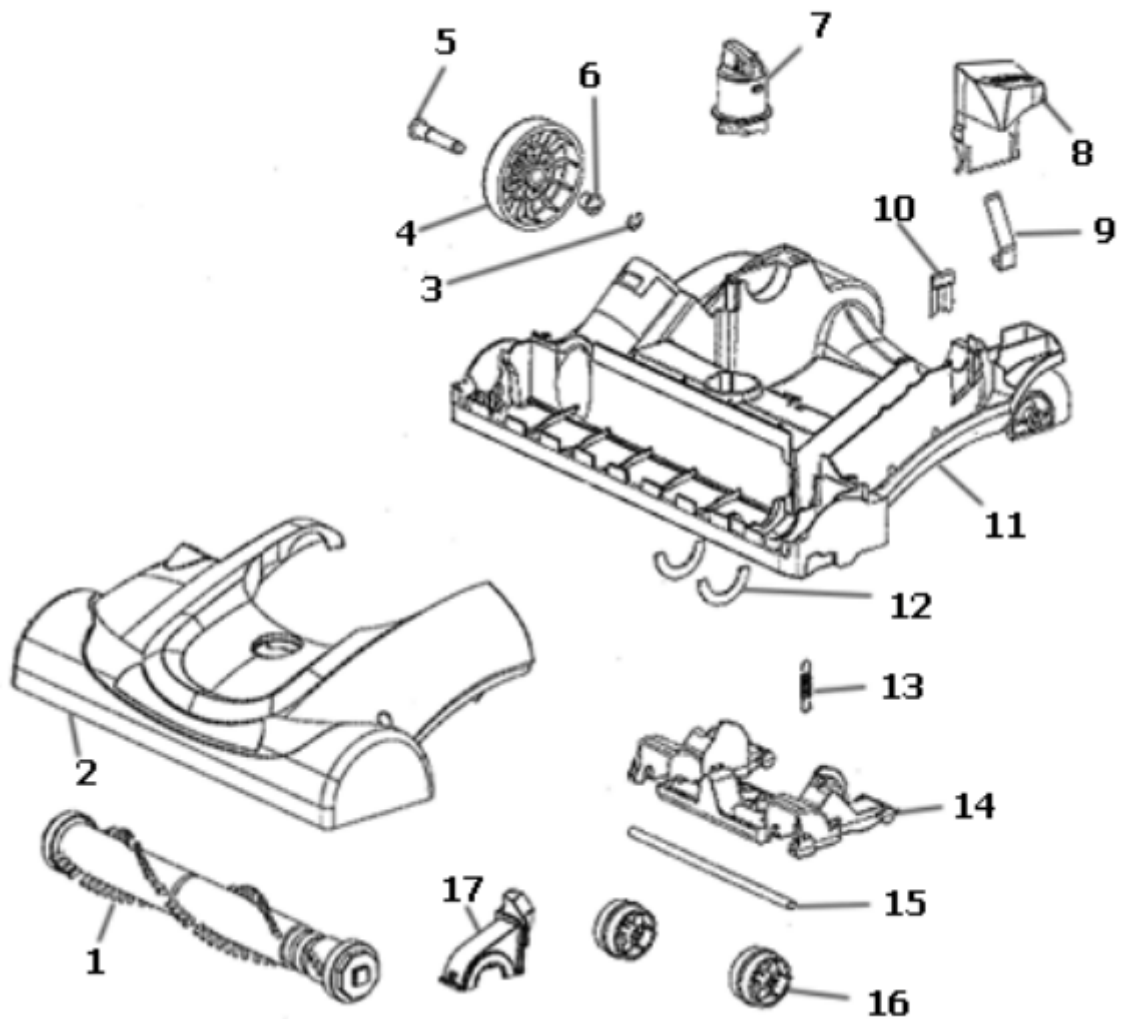
----- Manual continues below -----



Ref #	Part	Description	Comments	Qty
1	80161-2	HANDLE ASSEMBLY (LOOPED)		
2	80014-1	BRUSH - OVERMOLDED W/BRIS		
3	53238-27	SCREW PACKAGE	Pkg. of 10	
4	80415-313N	ADAPTER - HOSE		
5	60038-12	HOSE ASSEMBLY - CARTONED		
6	70559A-355N	COUPLING - HOSE		
7	73012	PACKAGE - HARDWARE		
8	80509	OWNERS GUIDE		
9	71492A-13	NESTING WAND ASSEMBLY		
10	80414-355N	LOWER HOSE HOLDER		
11	53238-27	SCREW PACKAGE	Pkg. of 10	
12	73696-355N	ADAPTER - DUSTER		
13	73694-355N	CLIP - WAND		
14	80442-333N	CORD RELEASE		
15	75405-355N	CLIP - TURBO	Turbo clip - not pictured.	
16				
17				
18	80027-1	PET TURBO NOZZLE ASSEMBLY	Not pictured.	



Ref #	Part	Description	Comments	Qty
1	76464	SWITCH - 2 POSITION (ROUN		
2	80417-501M	COVER - SWITCH (TURBO)		
3	74178	WASHER - FIBER		
4	80498	REAR HOUSING ASSEMBLY		
5	60192-1	WIRE SPLICE 5		
6	73001-2	CORD & TERMINAL ASSY		
7	72650-316N	BUSHING - MOTOR		
8	72443	THERMOSTAT CLIP		
9	72476-141N	GASKET - MOTOR CAN		
10	62075-1	MOTOR ASSEMBLY - CTND		
11	74719	THERMOSTAT & TERMINAL ASS		
12	39585-39	SUPPLY CORD & TERMINAL AS		
13	63196-22	MOTOR COVER ASSEMBLY - PK		
14	80427-313N	LENS - HEADLIGHT		
15	38828B-5	HEADLIGHT ASSEMBLY		
16	57940-3	LAMP - HEADLIGHT		
17	80436-501M	COVER - EXHAUST FILTER		
18	80532-355N	GRILL - EXHAUST		
19	39524	HEPA FILTER PKG - STYLE H		
20	81139	PAD - ODOR ABSORBING		
21	80501	GASKET - AIR DUCT		
22	81191	AIR DUCT & GRAPHICS ASSEM		
23	80443-333N	FILTER - PREMOTOR		
24	74104	BASE HOSE ASSEMBLY		
25	80448	CUP & BOTTOM LID ASSEMBLY		
26	80446	FILTER BASKET ASSEMBLY		
27	68931-2	FILTER PKG - EUREKA DCF21		
28	80447	TOP COVER ASSEMBLY		



Base and Hood - 3276AZ

Ref #	Part	Description	Comments	Qty
1	15929-1	BRUSHROLL ASSEMBLY - CART		
2	15928-1	HOOD ASSEMBLY - PKG		
3	54432-2	PACKAGE - RETAINING RING		
4	72117-355N	WHEEL - REAR		
5	38590A	AXLE - REAR		
6	73432	BUSHING - AXLE		
7	72472-355N	KNOB - HEIGHT ADJUSTMENT	pkg of 2	
8	72473-355N	HANDLE RELEASE		
9	71574	SPRING - HANDLE RELEASE		
10	38063	GUARD - BELT		
11	62090-3	BASE ASSEMBLY - PACKAGED	Items 3-16 included	
12	73114	FELT - BASE		
13	54943	SPRING PACKAGE		
14	72521-119N	WHEEL CARRIAGE		
15	71478	AXLE - FRONT		
16	39173A-119N	WHEEL - FRONT		
17	73289	BELT CAP ASSEMBLY		
not pictured	74104	BASE HOSE ASSEMBLY		
	61120D	BELT PKG ASSY-STYLE U EXT		