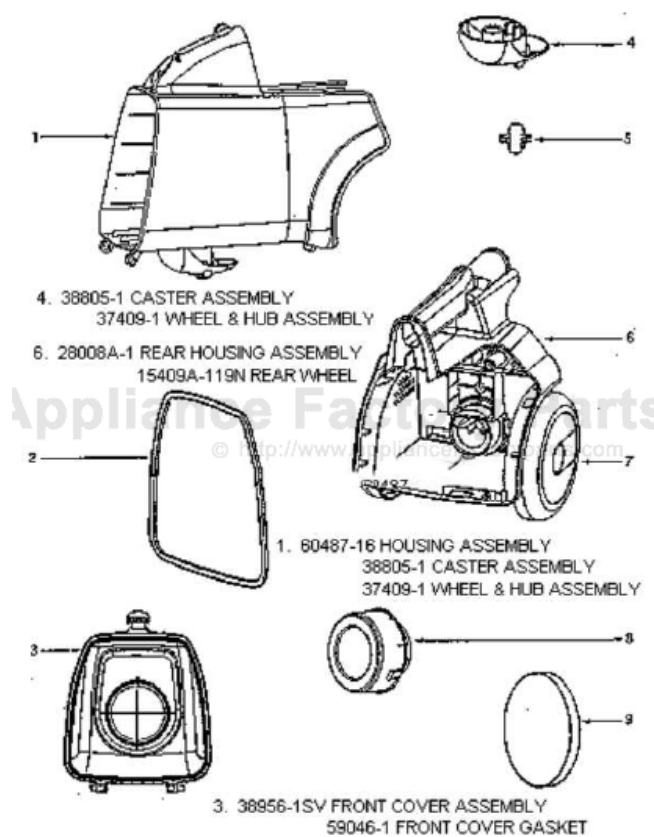


Eureka 3672B Owner's Manual

[Shop genuine replacement parts for Eureka 3672B](#)



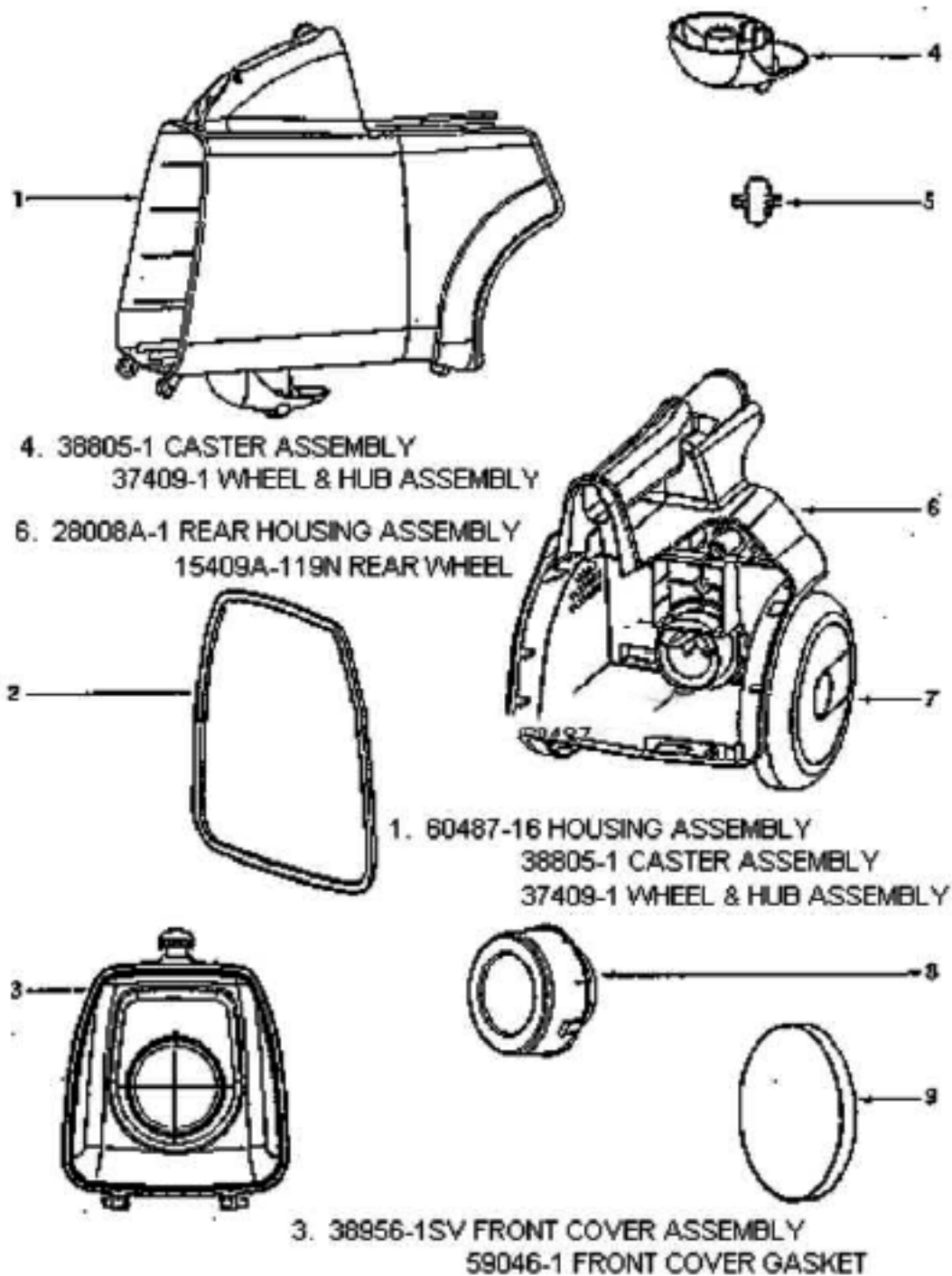
[Find Your Eureka Vacuum Cleaner Parts - Select From 855 Models](#)

----- Manual continues below part list -----

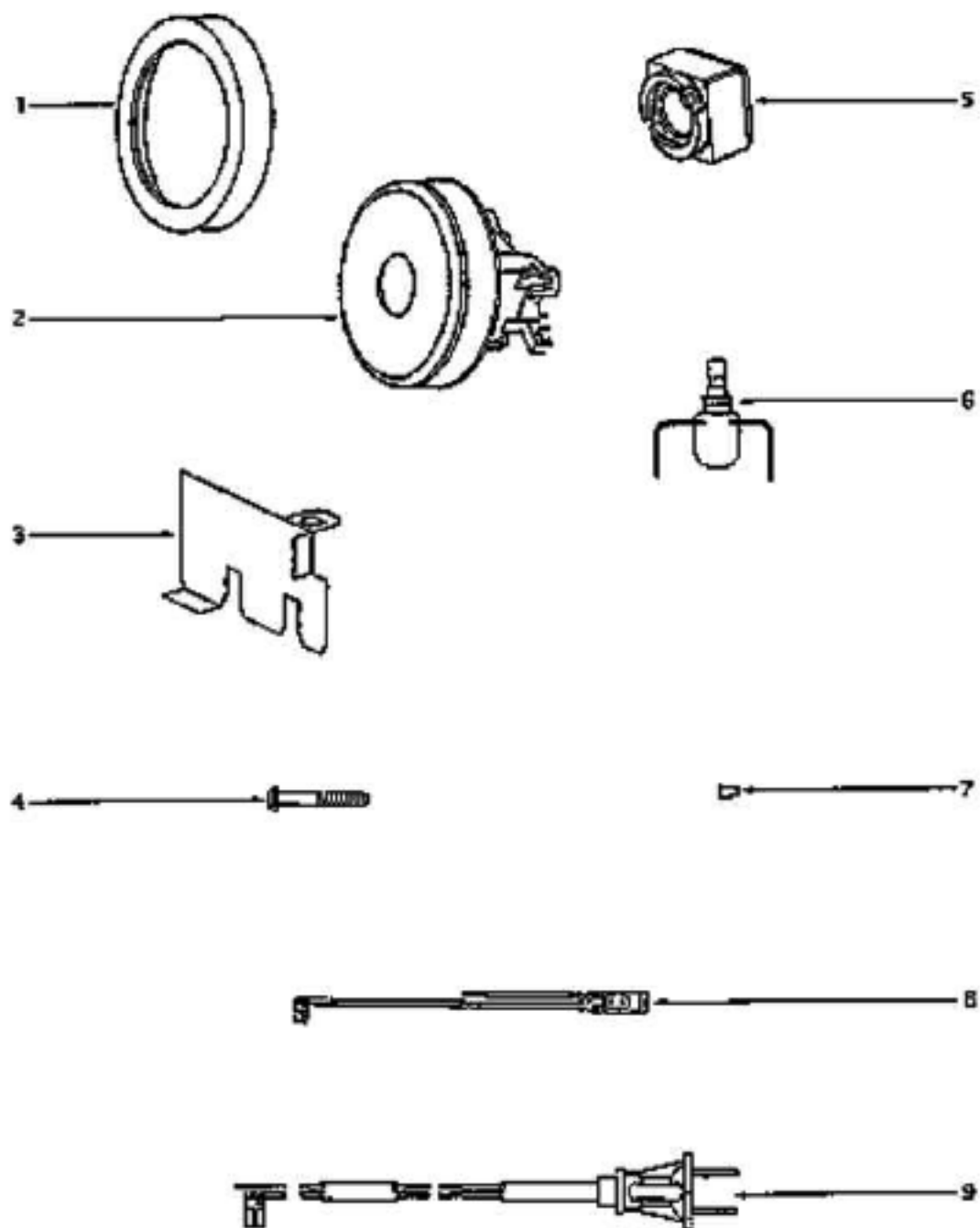
Available Replacement Parts for Eureka 3672B

[E-38333](#)

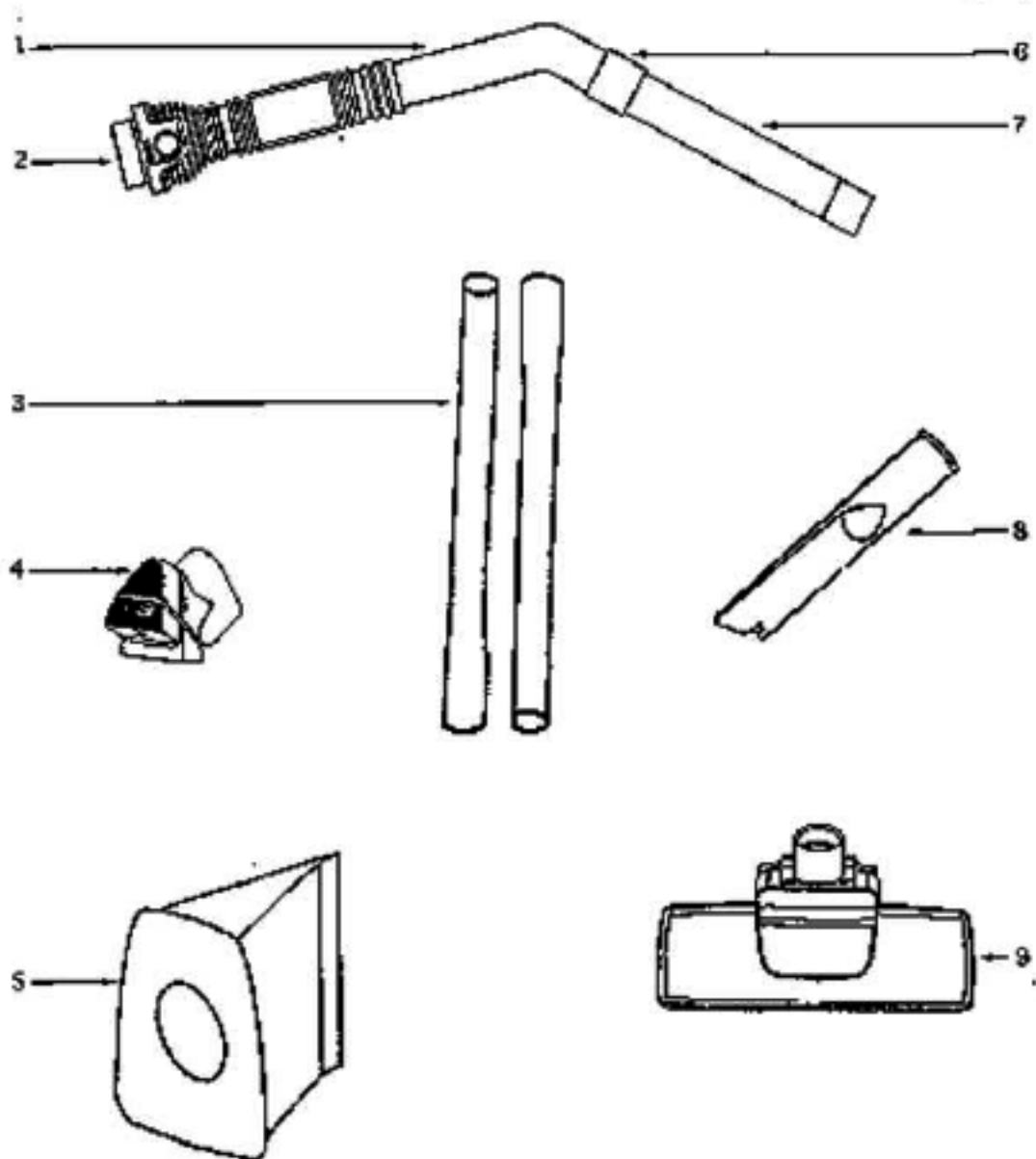
FILTER, BAG 1PK



Ref#	Part	Description	Comments	Qty
1	15409A-119N	WHEEL - REAR		
2	27964-119N	EXTENSION TUBE		
3	28008A-1	REAR HOUSING ASSEMBLY		
4	37409-1	WHEEL - CASTER		
5	38333	FILTER		
6	38805-1	CASTER ASSEMBLY		
7	38956-1SV	FRONT COVER ASSEMBLY		
8	59046-1	GASKET - FRONT COVER		
9	60487-16	HOUSING ASSEMBLY - PACKAG		



Ref#	Part	Description	Comments	Qty
1	15376-5	SWITCH ASSEMBLY		
2	27985	BUSHING - MOTOR		
3	28032	GASKET - MOTOR MOUNTING		
4	39028	SHIELD - WIRE		
5	59190	THERMOSTAT & TERMINAL ASS		
6	59191A	CORD & TERMINAL ASSEMBLY		
7	60192-1	WIRE SPLICE 5		
8	60445	MOTOR ASSEMBLY - CARTONED		
9	60610	SCREW PKG		



1. 60289-1 HOSE ASSEMBLY COMPLETE
15355-119N HOSE COUPLING
37853-3 BLEEDER
26193-3 CURVED HANDLE ASSEMBLY



Ref#	Part	Description	Comments	Qty
1	14070-3	WAND - STRAIGHT		
2	15355-119N	COUPLING - HOSE		
3	26193-3	CURVED HANDLE ASSEMBLY		
4	26708-119N	TOOL - CREVICE		
5	37653-3	BLEEDER		
6	39134-6	DELUXE FLOOR NOZZLE ASSEM		
7	60289-1	HOSE ASSEMBLY - CARTONED		
8	60295	PAPER BAG PKG ASSY (3MM)		
9	61037	COMBINATION TOOL - PACKAG		
10	70181	OWNERS GUIDE		