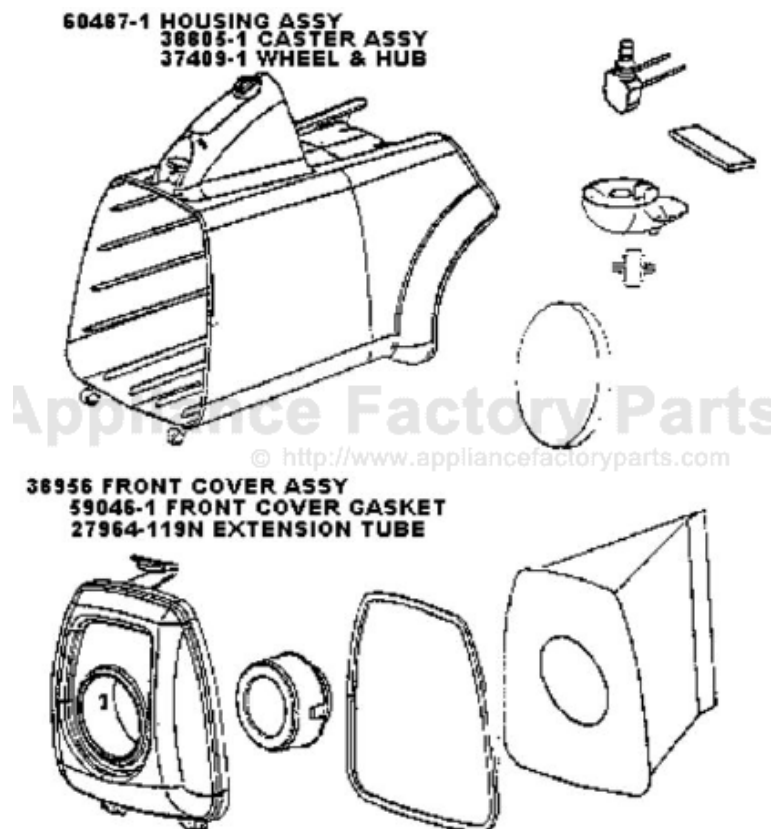


This Owner's Manual is provided and hosted by [Appliance Factory Parts](http://www.appliancefactoryparts.com).



Eureka 3679B Owner's Manual

[Shop genuine replacement parts for Eureka 3679B](#)



[Find Your Eureka Vacuum Cleaner Parts - Select From 855 Models](#)

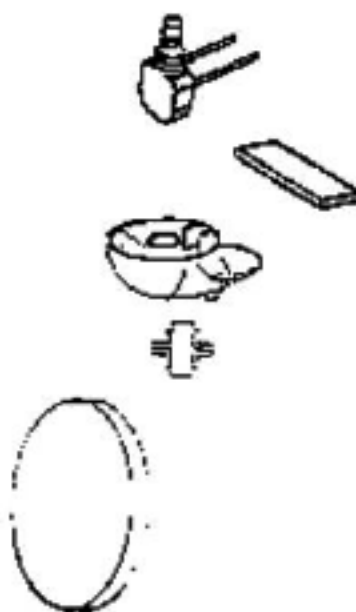
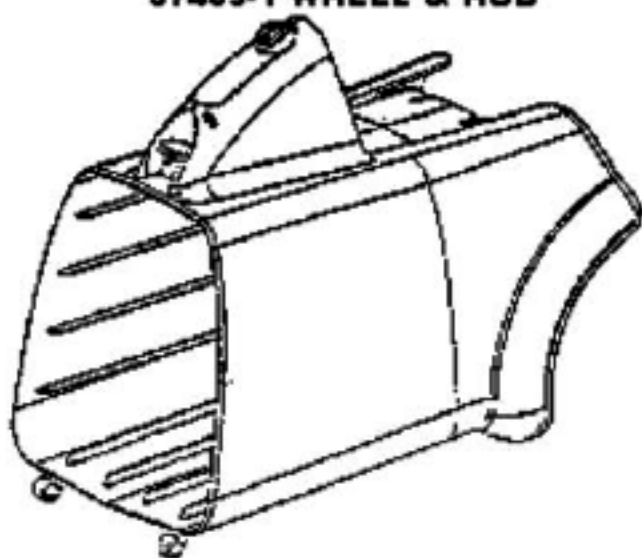
----- Manual continues below part list -----

Available Replacement Parts for Eureka 3679B

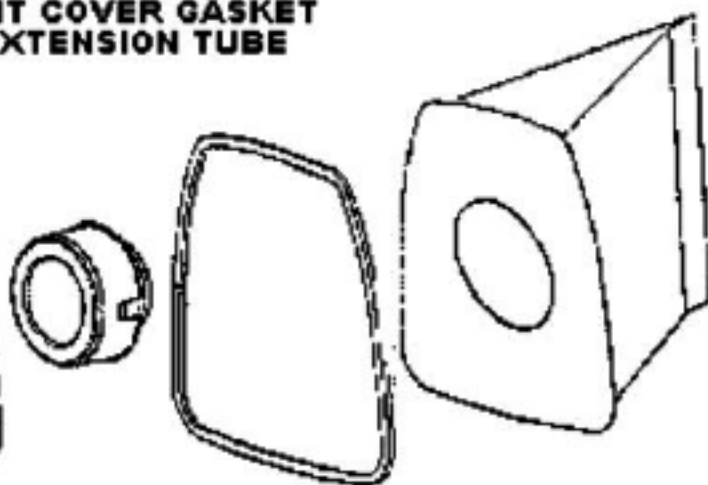
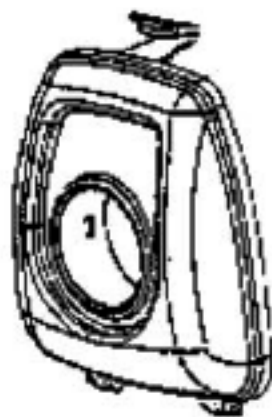
[E-38333](#)

FILTER, BAG 1PK

60487-1 HOUSING ASSY
38805-1 CASTER ASSY
37409-1 WHEEL & HUB

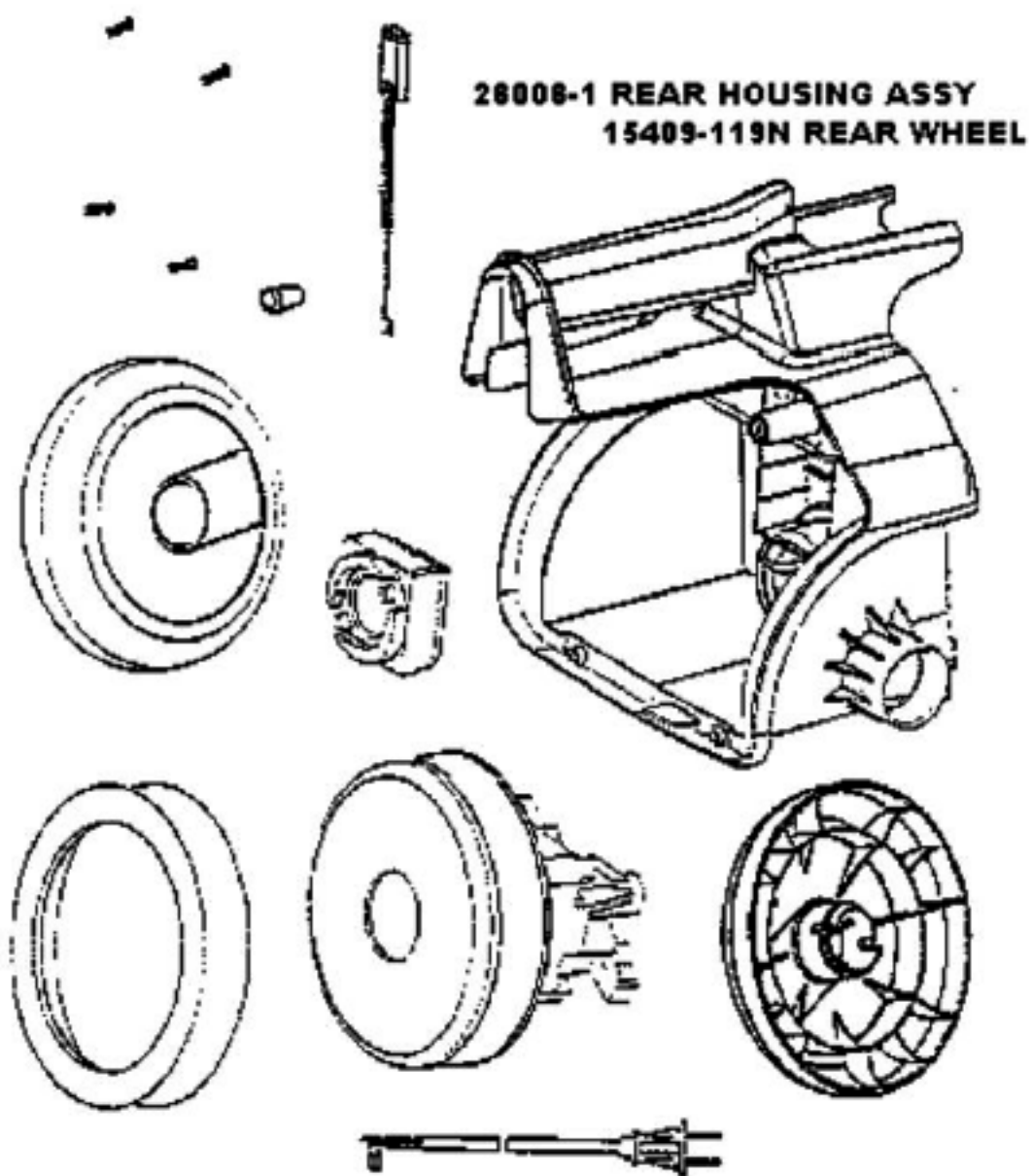


38956 FRONT COVER ASSY
59046-1 FRONT COVER GASKET
27964-119N EXTENSION TUBE



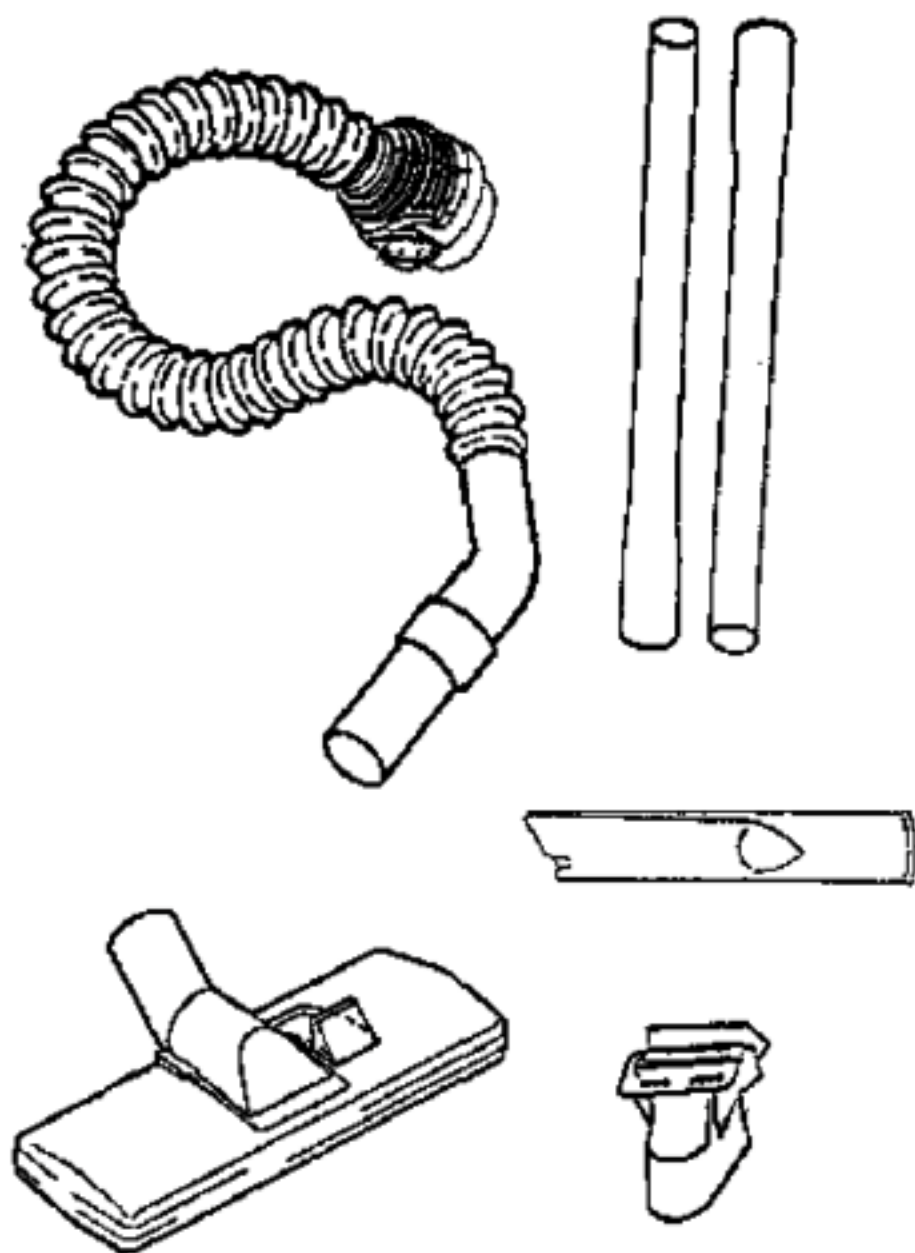
PARTS1 - 3679A

Ref #	Part	Description	Comments	Qty
1	15376-5	SWITCH ASSY		
2	27964-119N	EXTENSION TUBE		
3	37409-1	WHEEL - CASTER		
4	38333	FILTER		
5	38805-1	CASTOR ASSY.		
6	59045-1	GASKET - FRONT COVER		
7	59206	GASKET - FOAM		
8	60295	PAPER BAG PKG ASSY 3MM		
9	60487-1	HOUSING ASSEMBLY - PACKAG		



PARTS2 - 3679A

Ref #	Part	Description	Comments	Qty
1	15409-119N	Discontinued, use 15409A-119N		
2	27832	BUSHING - MOTOR		
3	28008-1	REAR HOUSING ASSEMBLY		
4	28032	GASKET - MOTOR MOUNTING		
5	59154	SCREW PKG		
6	59190	THERMOSTAT & TERMINAL ASS		
7	59191A	CORD & TERMINAL ASSEMBLY		
8	60192-1	WIRE SPLICE 5		
9	60446	MOTOR ASSY - CTND		



OWNERS GUIDE 59194 A

ACCESSORIES - 3679A

Ref #	Part	Description	Comments	Qty
1	15355-119N	COUPLING - HOSE		
2	26193-3	CURVED HANDLE ASSEMBLY		
3	37653-3	BLEEDER		
4	54723	Discontinued, use 14070-3		
5	54780	TOOL - CREVICE		
6	54784	COMBINATION TOOL - PACKAG		
7	54862	DEL CARP/BARE FL NZ		
8	60289-1	HOSE ASSEMBLY - CARTONED		