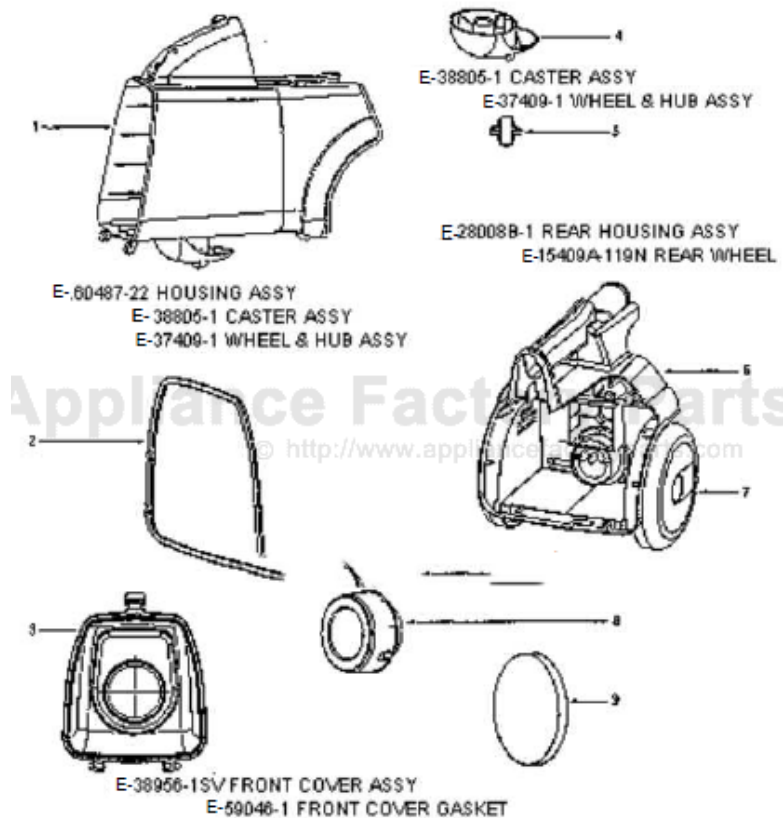


Eureka 3684A Owner's Manual

[Shop genuine replacement parts for Eureka 3684A](#)

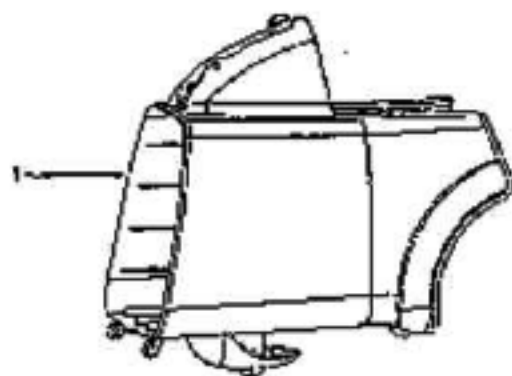


[Find Your Eureka Vacuum Cleaner Parts - Select From 855 Models](#)

----- Manual continues below part list -----

Available Replacement Parts for Eureka 3684A

E-38333	FILTER, BAG 1PK
E-27237-3	CREVICE TOOL
E-39134-6	DELUXE FLOOR NOZZLE



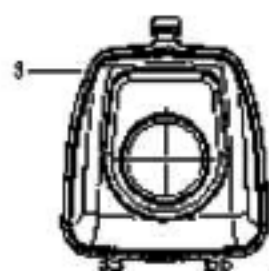
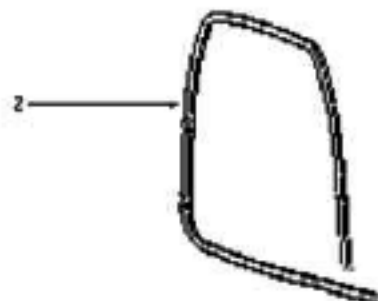
E-60487-22 HOUSING ASSY
 E-38805-1 CASTER ASSY
 E-37409-1 WHEEL & HUB ASSY



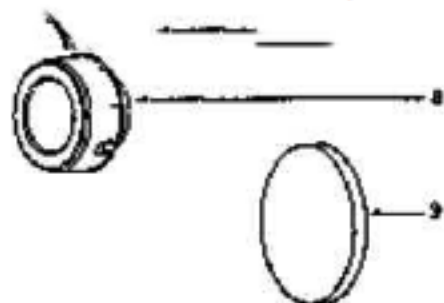
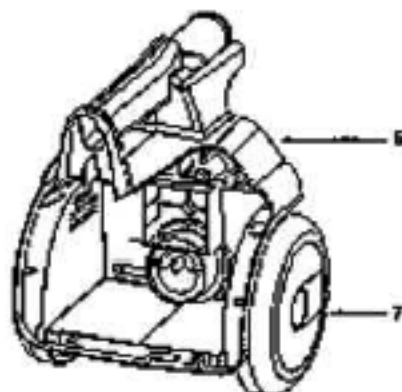
E-38805-1 CASTER ASSY
 E-37409-1 WHEEL & HUB ASSY



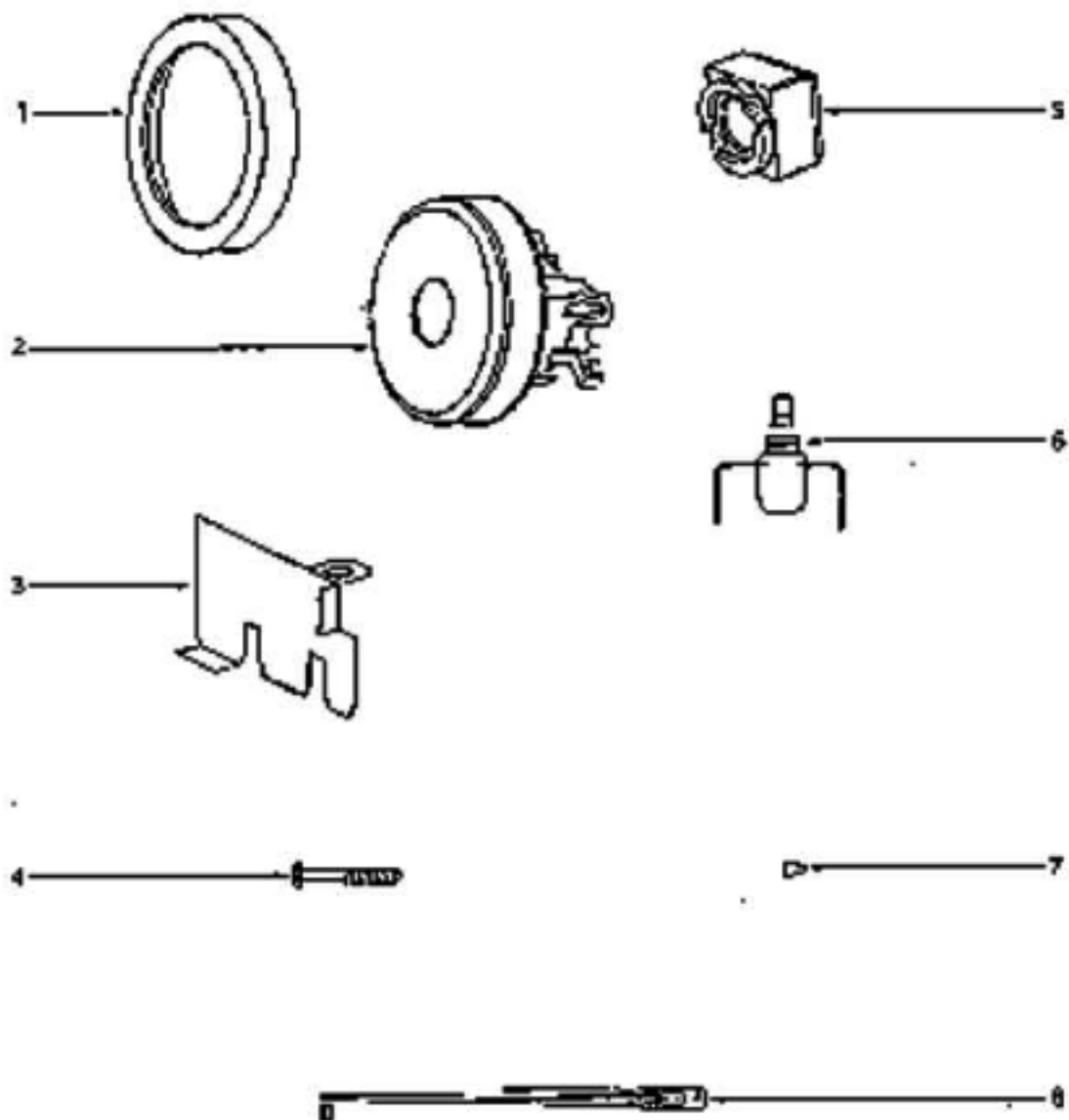
E-28008B-1 REAR HOUSING ASSY
 E-15409A-119N REAR WHEEL



E-38956-1SV FRONT COVER ASSY
 E-59046-1 FRONT COVER GASKET



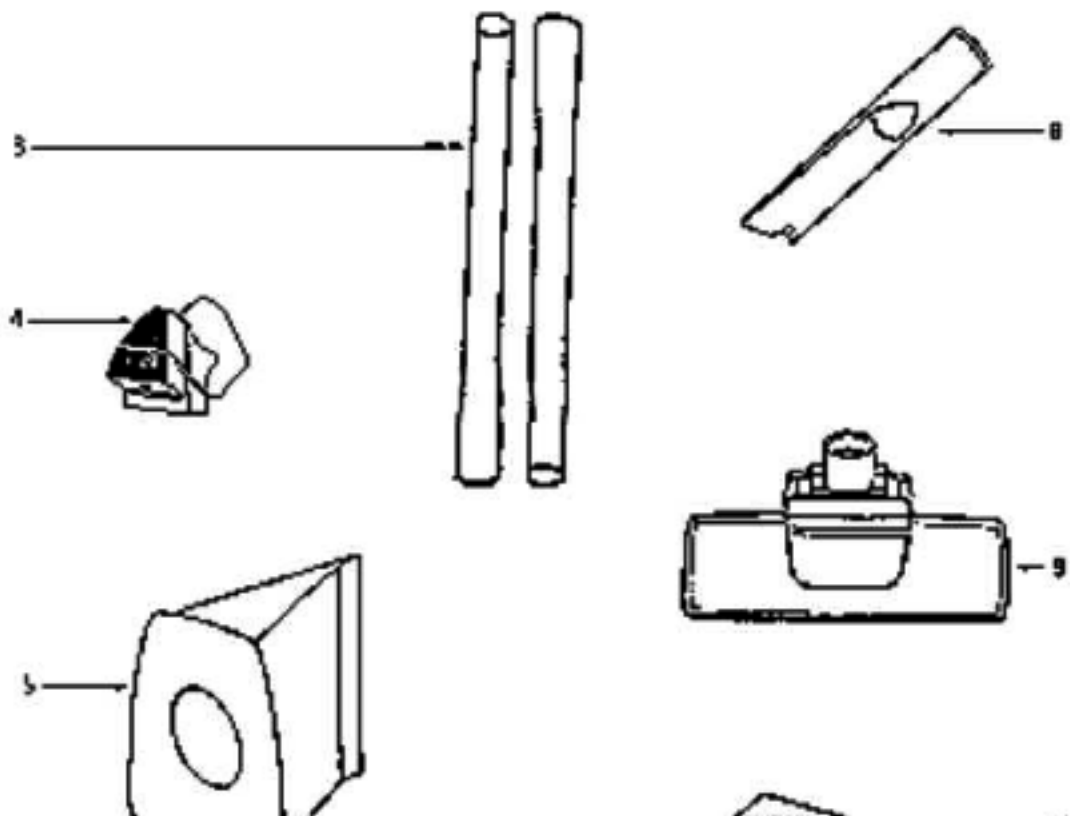
Ref#	Part	Description	Comments	Qty
1	E-15409A-119N	WHEEL - REAR		
2	E-27964-119N	EXTENSION TUBE		
3	E-28008B-1	REAR HOUSING ASSEMBLY		
4	E-37409-1	WHEEL - CASTER		
5	E-38333	FILTER		
6	E-38805-1	CASTER ASSEMBLY		
7	E-38956-1SV	FRONT COVER ASSEMBLY		
8	E-59046-1	GASKET - FRONT COVER		
9	E-60487-22	HOUSING ASSEMBLY - PACKAG		



Ref#	Part	Description	Comments	Qty
1	E-27832	BUSHING - MOTOR		
2	E-28032	GASKET - MOTOR MOUNTING		
3	E-28304A-2	SWITCH - PUSHBUTTON		
4	E-39028	SHIELD - WIRE		
5	E-39408-1	THERMOSTAT & TERMINAL ASS		
6	E-39409-1	SUPPLY CORD & TERMINAL AS		
7	E-60192-1	WIRE SPLICE 5		
8	E-60610	SCREW PKG		
9	E-60845-1	MOTOR ASSEMBLY - PACKAGED		



1. 60289-1 HOSE ASSY COMPLETE
E-15355-119N HOSE COUPLING
E-37653-3 BLEEDER
E-26193-3 CURVED HANDLE ASSY



Ref#	Part	Description	Comments	Qty
1	E-14070-3	WAND - STRAIGHT		
2	E-15355-119N	COUPLING - HOSE		
3	E-26193-3	CURVED HANDLE ASSEMBLY		
4	E-26708-119N	TOOL - CREVICE		
5	E-37653-3	BLEEDER		
6	E-39134-6	DELUXE FLOOR NOZZLE ASSEM		
7	E-60289-1	HOSE ASSEMBLY - CARTONED		
8	E-60295A	PAPER BAG PKG ASSY (3MM)		
9	E-61037	COMBINATION TOOL - PACKAG		
10	E-70181	OWNERS GUIDE		