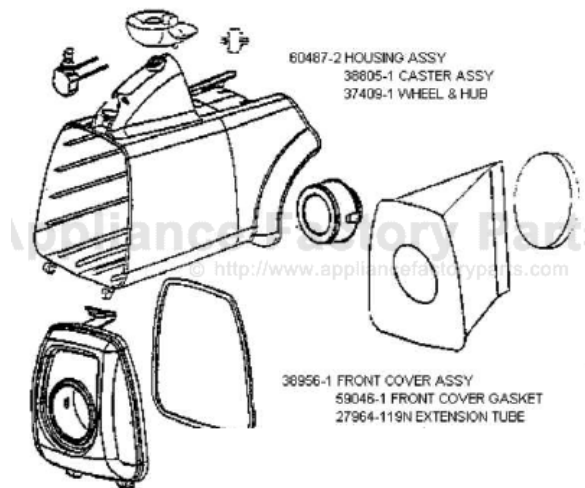


This Owner's Manual is provided and hosted by [Appliance Factory Parts](http://www.appliancefactoryparts.com).



# Eureka 3685B Owner's Manual

[Shop genuine replacement parts for Eureka 3685B](#)



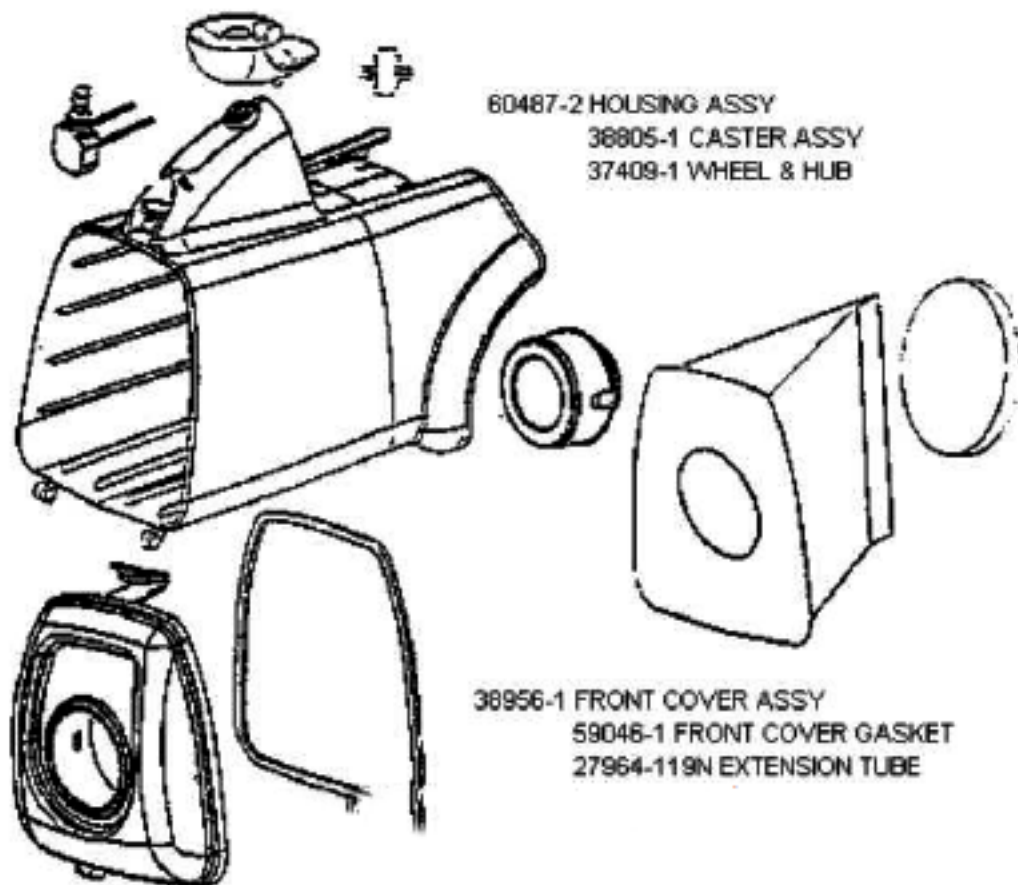
[Find Your Eureka Vacuum Cleaner Parts - Select From 855 Models](#)

----- Manual continues below part list -----

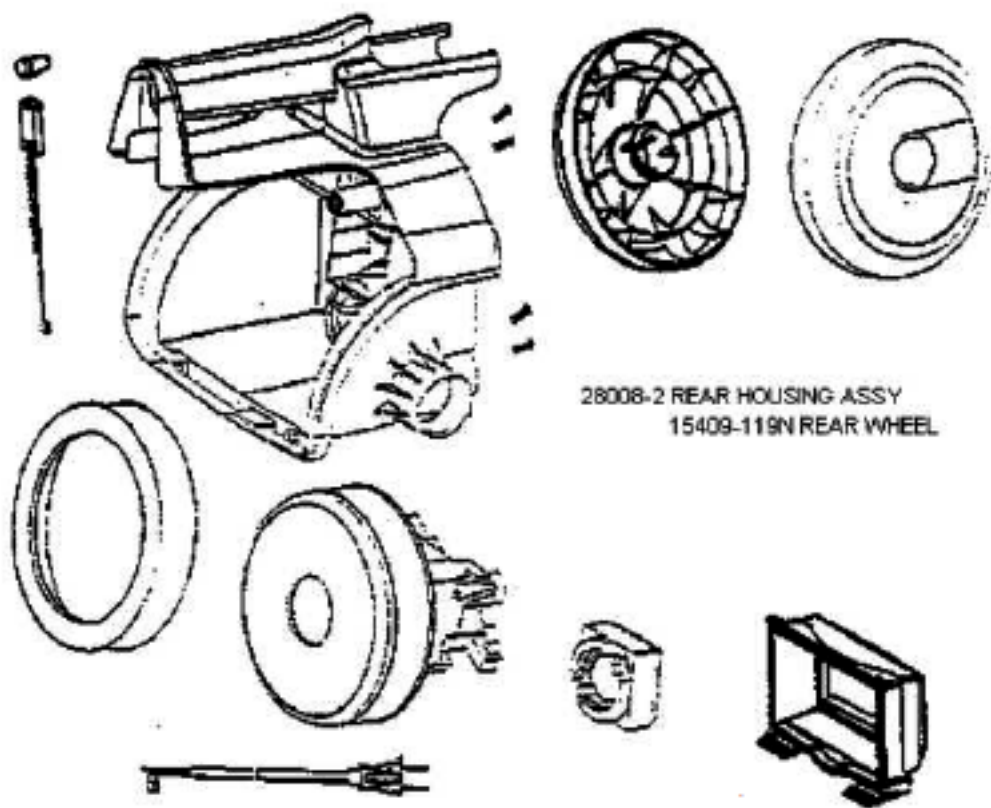
## Available Replacement Parts for Eureka 3685B

[E-38333](#)

FILTER, BAG 1PK

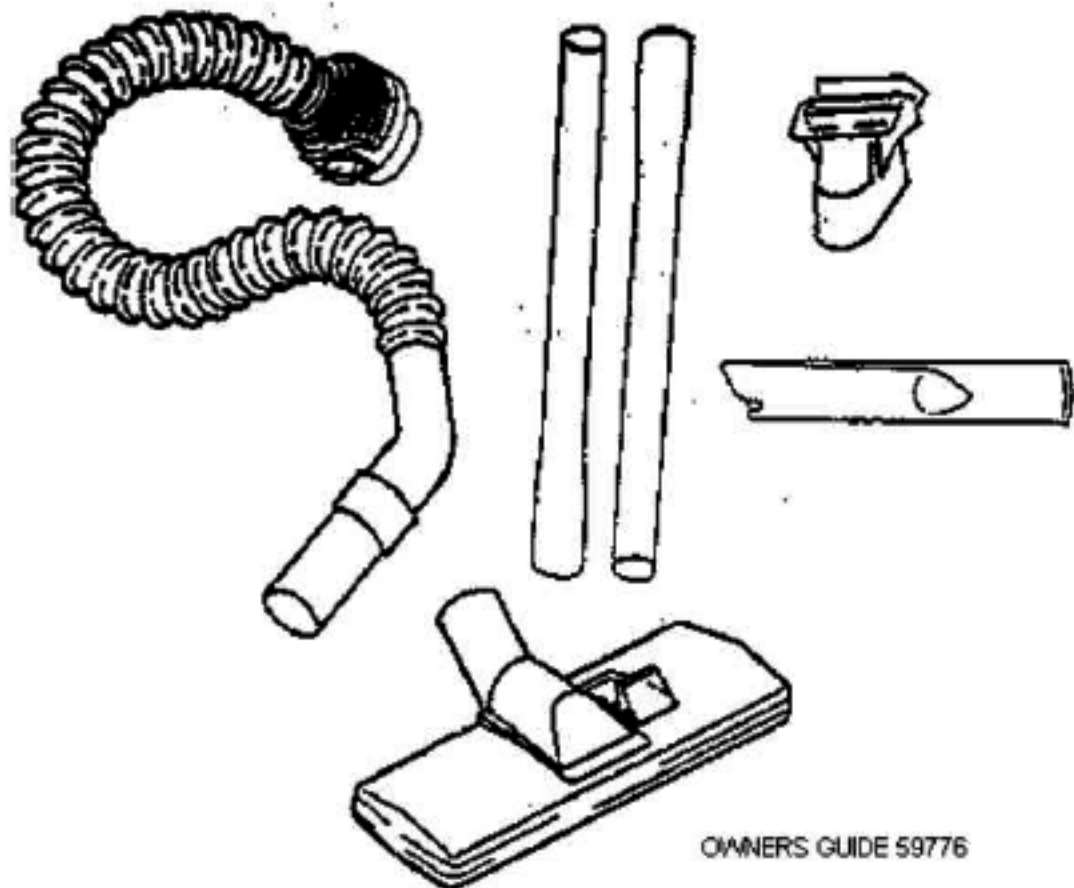


Ref#	Part	Description	Comments	Qty
1	15377-10	SWITCH ASSEMBLY		
2	27964-119N	EXTENSION TUBE		
3	37409-1	WHEEL - CASTER		
4	38333	FILTER		
5	38805-1	CASTER ASSEMBLY		
6	38956-1	FRONT COVER ASSEMBLY		
7	59046-1	GASKET - FRONT COVER		
8	60296	PAPER BAG PKG ASSY (3MM F		
9	60487-2	HOUSING ASSEMBLY - PACKAG		



28008-2 REAR HOUSING ASSY  
15409-119N REAR WHEEL

Ref #	Part	Description	Comments	Qty
1	15409-119N	WHEEL - REAR		
2	28050	BUSHING - MOTOR		
3	28261	GASKET - MOTOR MOUNTING		
4	59499	SUPPLY CORD & TERMINAL ASS		
5	59500	THERMOSTAT & TERMINAL ASS		
6	60192-1	WIRE SPLICE 5		
7	60610	SCREW PKG		
8	60666	HEPA FILTER - STYLE HF8		
9	60865-1	HEPA MOTOR ASSY - CARTONE		



OWNERS GUIDE 59776

Ref #	Part	Description	Comments	Qty
1	14070-3	WAND - STRAIGHT		
2	15355-119N	COUPLING - HOSE		
3	26193-3	CURVED HANDLE ASSEMBLY		
4	27238-3	TOOL - CREVICE		
5	37653-3	BLEEDER		
6	38702-1	COMB. FLOOR & WALL BRUSH		
7	54784	COMBINATION TOOL - PACKAG		
8	60289-1	HOSE ASSEMBLY - CARTONED		