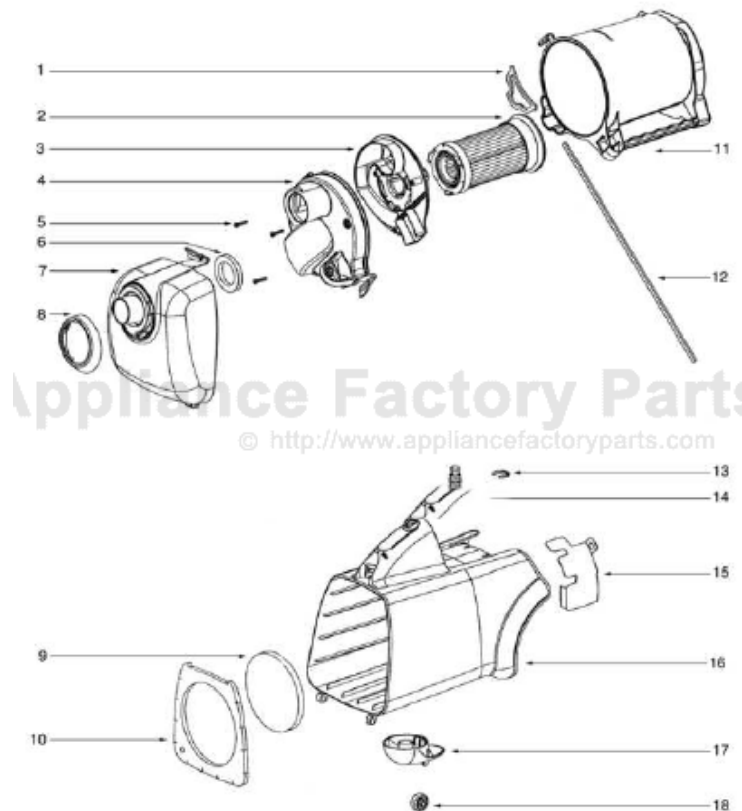


This Owner's Manual is provided and hosted by [Appliance Factory Parts](http://www.appliancefactoryparts.com).



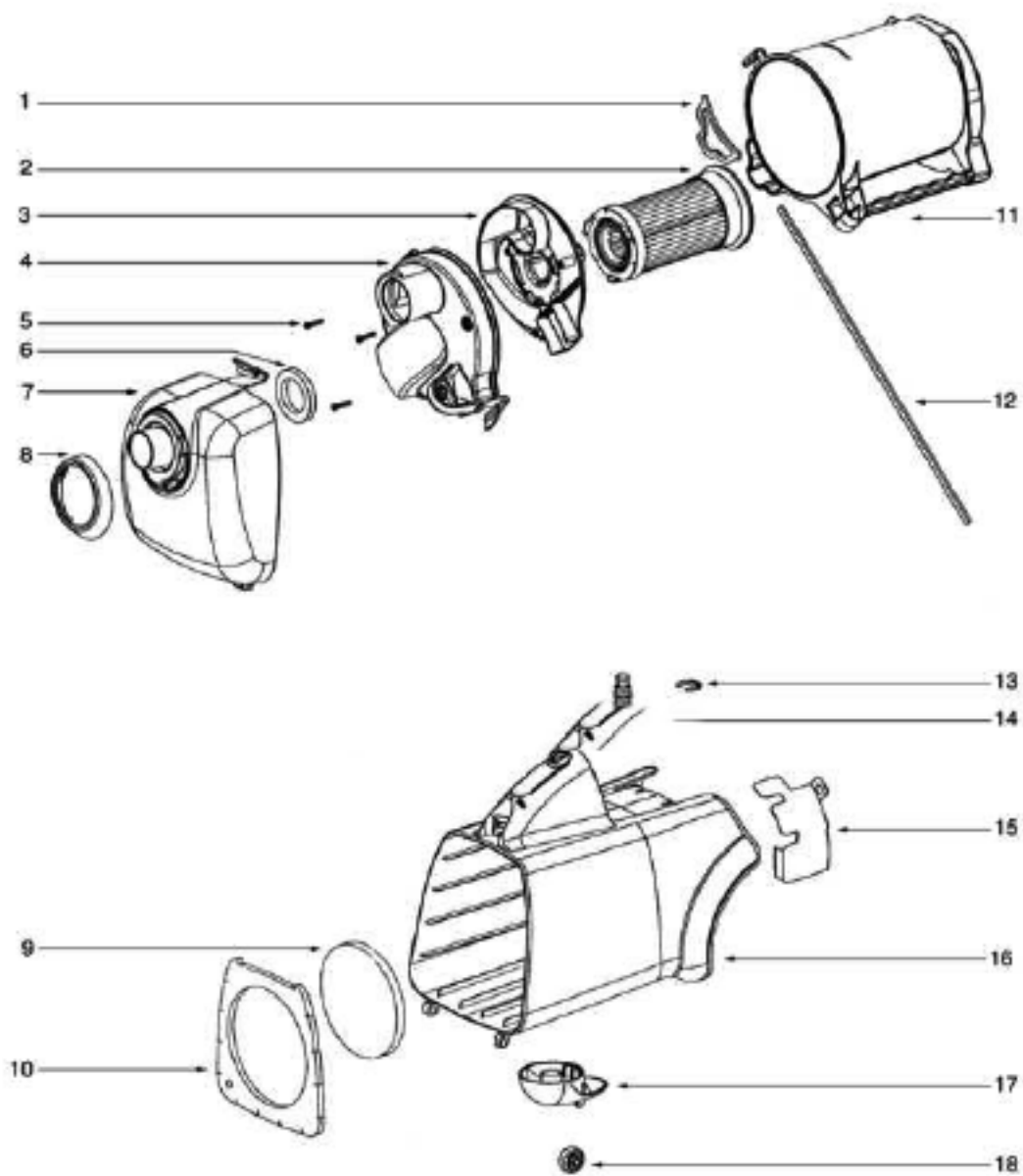
# Eureka 3690A Owner's Manual

[Shop genuine replacement parts for Eureka 3690A](#)

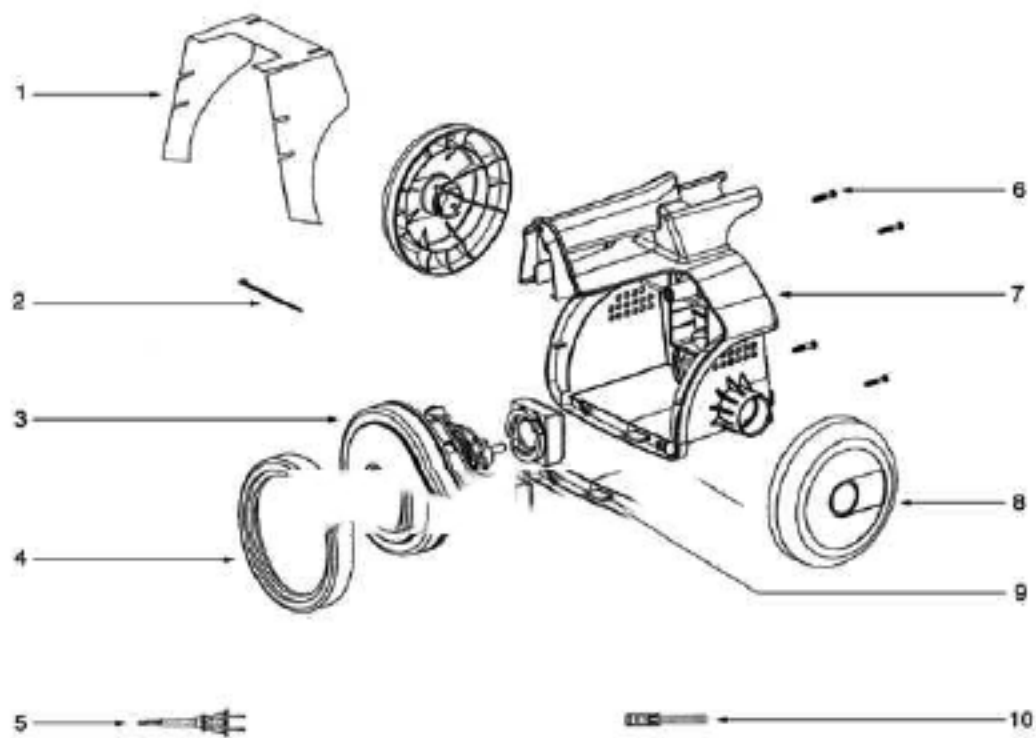


[Find Your Eureka Vacuum Cleaner Parts - Select From 855 Models](#)

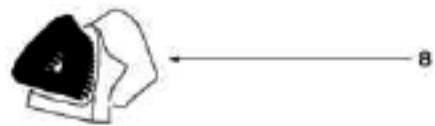
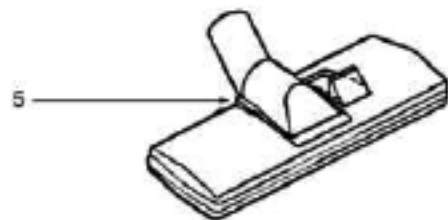
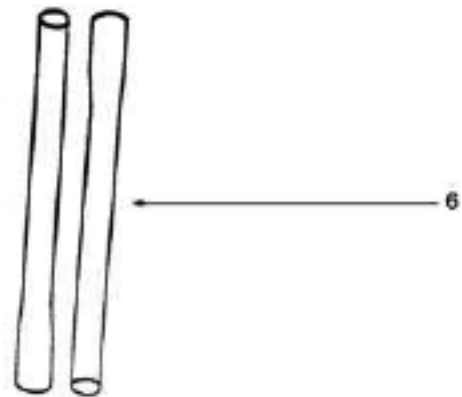
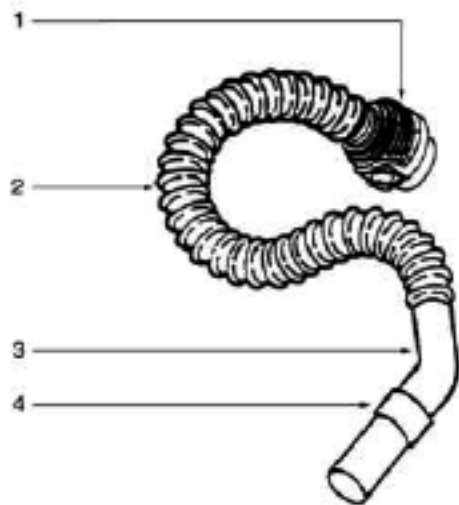
----- Manual continues below -----



Ref#	Part	Description	Comments	Qty
1	71075	GASKET - LOWER PLENUM		
2	61700	DUST CUP FLTR (STYLEDCEf1)		
3	71071-288N	PLENUM - LOWER		
4	71070A-288N	PLENUM - UPPER		
5	53197-1	SCREW PACKAGE		
6	71103	GASKET - HOSE ADAPTER		
7	71073-119N	COVER - FRONT		
8	71130-119N	EXTENSION - FRONT COVER		
9	71078	FILTER - MOTOR		
10	71074	GASKET - CHAMBER WALL		
11	61769	DUST CUP - CTND		
12	39404	GASKET - LOWER PLENUM		
13	60165-1	RETAINING RING PKG		
14	28304A-2	SWITCH - PUSHBUTTON		
15	39028	SHIELD - WIRE		
16	60487-19	HOUSING ASSEMBLY - PACKAG		
17	38805-1	CASTER ASSEMBLY		
18	37409-1	WHEEL - CASTER		



Ref#	Part	Description	Comments	Qty
1	28614	SHIELD - MOTOR HOUSING		
2	46713-5	TIE - CABLE		
3	60261-11	MOTOR ASSEMBLY - PACKAGED		
4	28032	GASKET - MOTOR MOUNTING		
5	39409-1	SUPPLY CORD & TERMINAL ASS		
6	60610	SCREW PKG		
7	280088-3	REAR HOUSING ASSEMBLY		
8	15409A-119N	WHEEL - REAR		
9	27832	BUSHING - MOTOR		
10	39453-1	THERMOSTAT & TERMINAL ASS		



Ref#	Part	Description	Comments	Qty
1	71104-119N	COUPLING - HOSE		
2	60289-2	HOSE ASSEMBLY - CARTONED		
3	26193-3	CURVED HANDLE ASSEMBLY		
4	37653-3	BLEEDER		
5	39134-6	DELUXE FLOOR NOZZLE ASSEM		
6	14070-1	WAND - STRAIGHT		
7	26708-119N	TOOL - CREVICE		
8	61037	COMBINATION TOOL - PACKAG		
9	71592	OWNERS GUIDE		
	60000	WHEEL COVER - RIGHT		
	60289-1	HOSE ASSEMBLY - CARTONED		