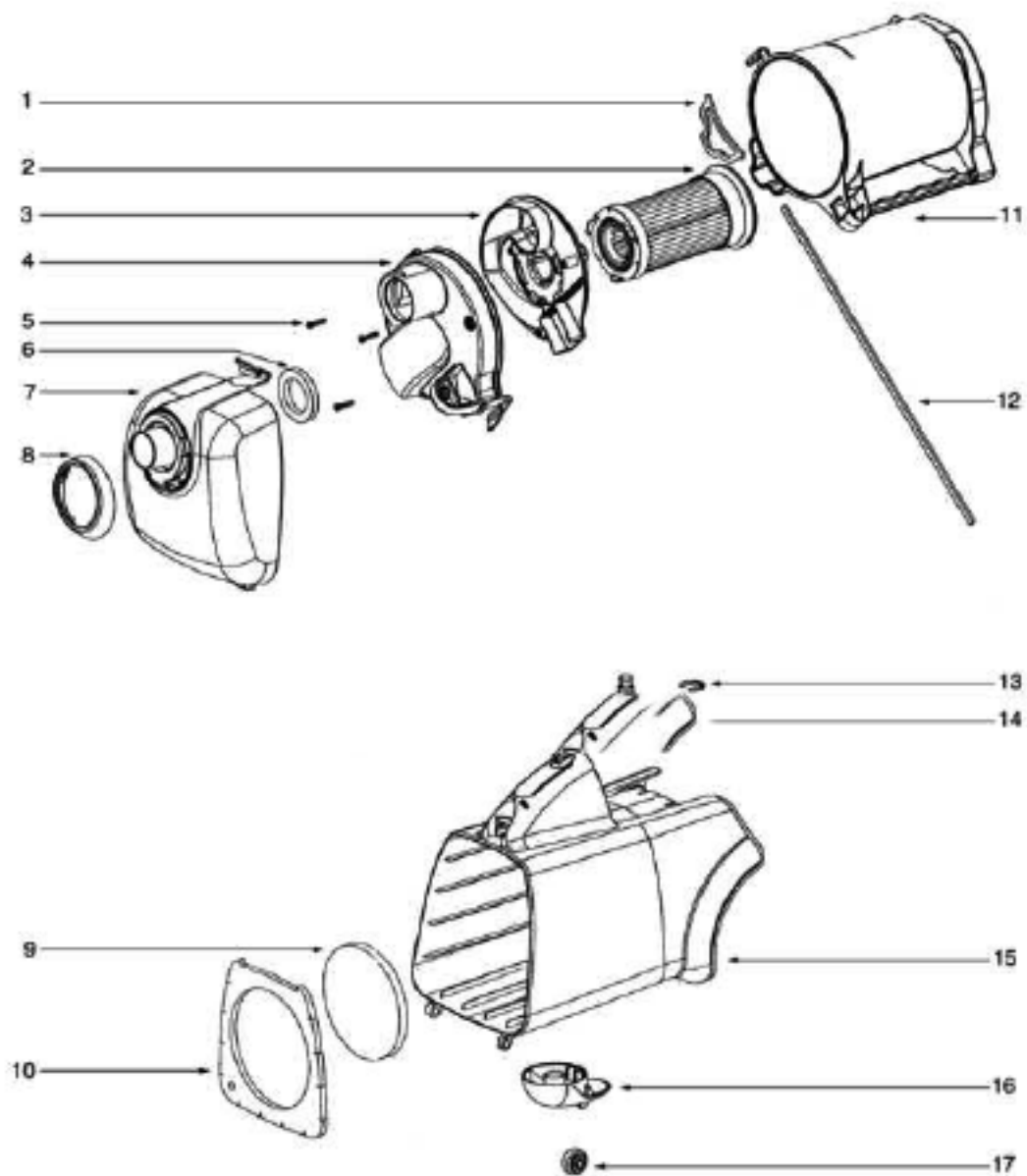
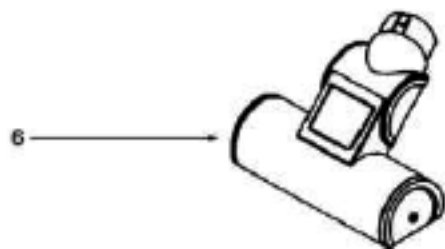
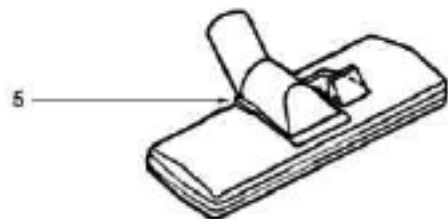
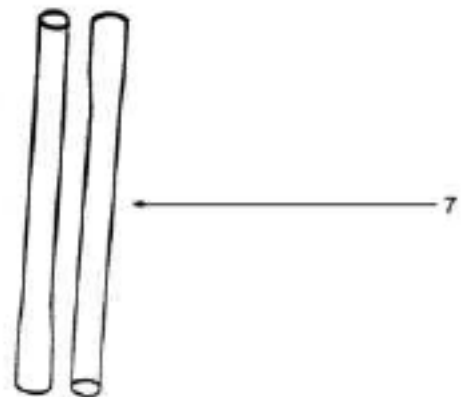
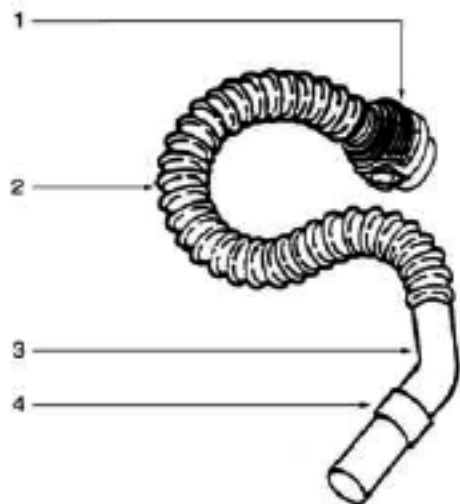


Ref#	Part	Description	Comments	Qty
1	E-28614	SHIELD - MOTOR HOUSING		
2	E-46713-5	TIE - CABLE		
3	E-60865-3	HEPA MOTOR ASSY - CARTONE		
4	E-28261	GASKET - MOTOR MOUNTING		
5	E-39409-3	CORD & TERMINAL ASSEMBLY		
6	E-60610	SCREW PKG		
7	E-28008B-4	REAR HOUSING ASSEMBLY		
8	E-15409A-119N	WHEEL - REAR		
9	E-28050	BUSHING - MOTOR		
10	E-39408-2	THERMOSTAT & TERMINAL ASS		
11	E-60666	HEPA FILTER - STYLE HF8		



Ref#	Part	Description	Comments	Qty
1	E-71075	GASKET - LOWER PLENUM		
2	E-61700	DUST CUP FLTR (STYLED CF1)		
3	E-71071-288N	PLENUM - LOWER		
4	E-71070A-288N	PLENUM - UPPER		
5	E-53197-1	SCREW PACKAGE		
6	E-71103	GASKET - HOSE ADAPTER		
7	E-71073-119N	COVER - FRONT		
8	E-71130-119N	EXTENSION - FRONT COVER		
9	E-71078	FILTER - MOTOR		
10	E-71074	GASKET - CHAMBER WALL		
11	E-61769	DUST CUP - CTND		
12	E-39404	GASKET - LOWER PLENUM		
13	E-60165-1	RETAINING RING PKG		
14	E-28304A-2	SWITCH - PUSHBUTTON		
15	E-60487-18	HOUSING ASSEMBLY - PACKAG		
16	E-38805-1	CASTER ASSEMBLY		
17	E-37409-1	WHEEL - CASTER		



Ref#	Part	Description	Comments	Qty
1	E-71104-119N	COUPLING - HOSE		
2	E-60289-2	HOSE ASSEMBLY - CARTONED		
3	E-26193-3	CURVED HANDLE ASSEMBLY		
4	E-37653-3	BLEEDER		
5	E-39134-6	DELUXE FLOOR NOZZLE ASSEM		
6	E-61775	TURBO NOZZLE ASSY (MODEL		
7	E-14070-3	WAND - STRAIGHT		
8	E-26708-119N	TOOL - CREVICE		
9	E-61037	COMBINATION TOOL - PACKAG		
10	E-71592	OWNERS GUIDE		