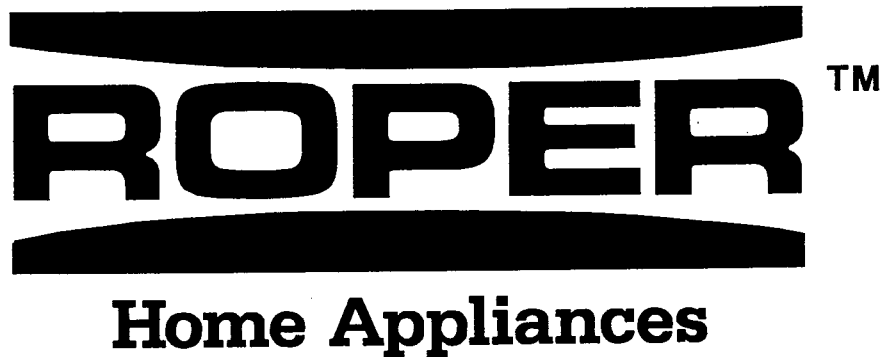


PARTS LIST

for



GAS DRYER

MODEL
GL3030WW1
▲

▲ W-White, L-Almond



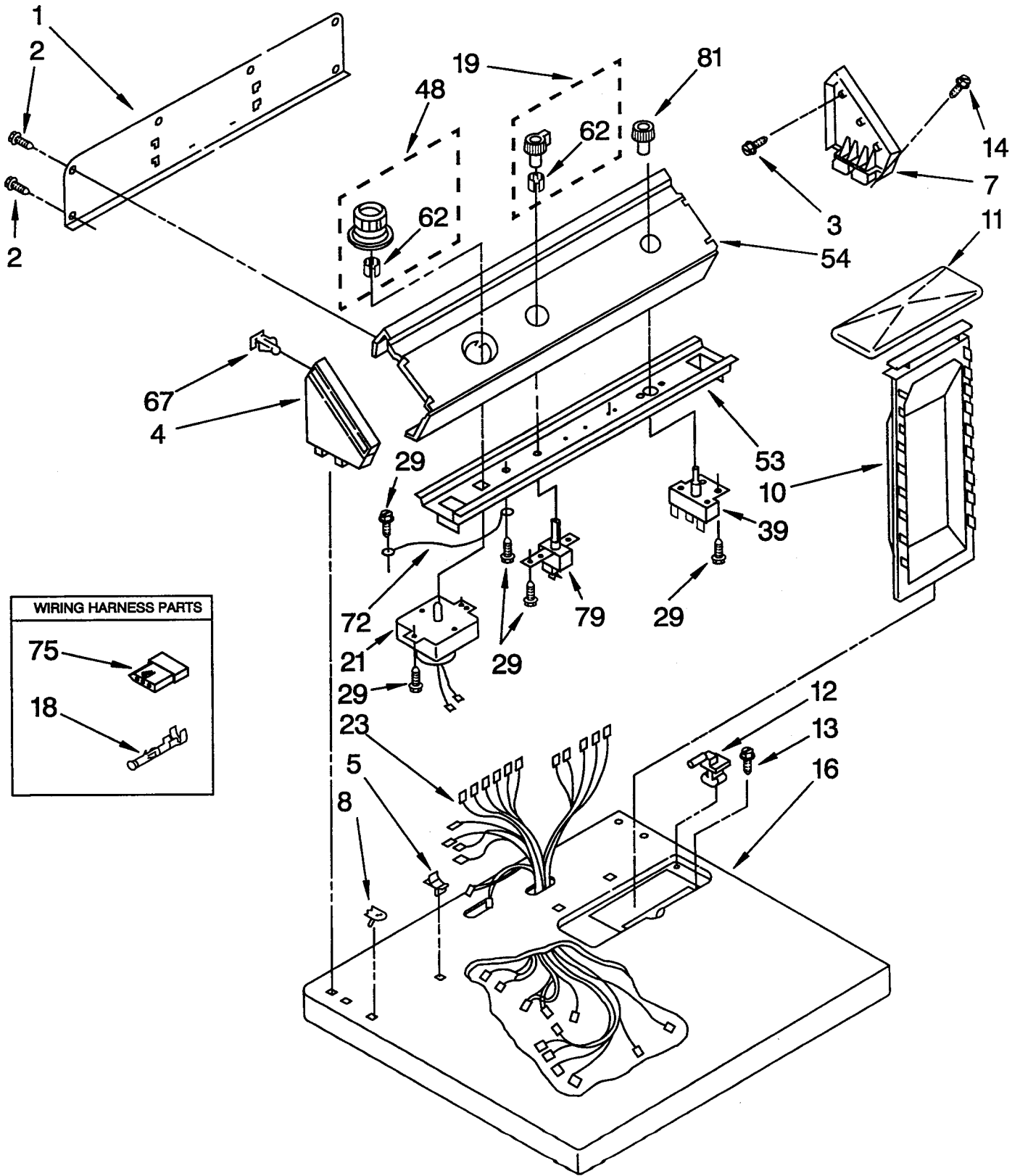
FOR CUSTOMER SATISFACTION ALWAYS USE
FACTORY SPECIFICATION PARTS



Whirlpool CORPORATION
Benton Harbor, Michigan.

TOP AND CONSOLE PARTS

For Models:GL3030WW1



| | | |
|----|---------|--|
| 1 | 386367 | Panel, Rear Console |
| 2 | 693994 | Screw, Hex Washer Head |
| 3 | 355326 | Screw, 13/16 x 5/8 |
| 4 | 63790 | Cap, End (L.H.) |
| 5 | 358472 | Stop, Push-In (2) |
| 7 | 63796 | Cap, End (R.H.) |
| 8 | 358473 | Nut, Push-In (2) |
| 10 | 337448 | Screen, Lint |
| 11 | | Cover, Lint Screen |
| | 688150 | White |
| | 689310 | Almond |
| 12 | 339229 | Hinge, R.H. |
| | 339230 | Hinge, L.H. |
| 13 | 688983 | Screw, 8-18 x 5/8 |
| 14 | 64211 | Screw, 8-18 x 1 |
| 16 | | Top |
| | 3393385 | White |
| | 3393386 | Almond |
| 18 | 94614 | Terminal |
| 19 | 3348416 | Knob, Temperature Selector |
| 21 | 3393916 | Timer Assembly, 60 Hz. |
| 23 | 3393990 | Harness, Wiring |
| 29 | 339554 | Screw |
| 39 | 660936 | Relay, Push-To-Start |
| 48 | 3387906 | Timer Knob & Dial |
| 53 | 3394061 | Bracket, Control |
| 54 | 3387695 | Panel, Control |
| 62 | 688805 | Clip |
| 67 | 689559 | Nut, Push-On (4) |
| 72 | 690853 | Wire, Ground |
| 75 | 691707 | Receptacle, Latching (3-Way) (Uses Terminal 94614) |
| 79 | 694720 | Switch, Temperature Selector |
| 81 | 696075 | Knob, Push-To-Start |

LITERATURE PARTS

| | |
|------------|----------------------------|
| LIT3395433 | Use & Care Guide |
| LIT3395320 | Instructions, Installation |
| LIT3394551 | List, Service Parts |

OPTIONAL PARTS NOT INCLUDED

PAINT, TOUCH UP (1/2 oz.)

| | |
|-------|--------|
| 72017 | White |
| 72107 | Almond |

PAINT PRESSURIZED SPRAY (13 oz.)

| | |
|--------|-------------------|
| 350930 | White |
| 350956 | Almond |
| 350938 | Primer, Gray |
| 350941 | Leveler (Thinner) |

PAINT, BULK (1 qt.)

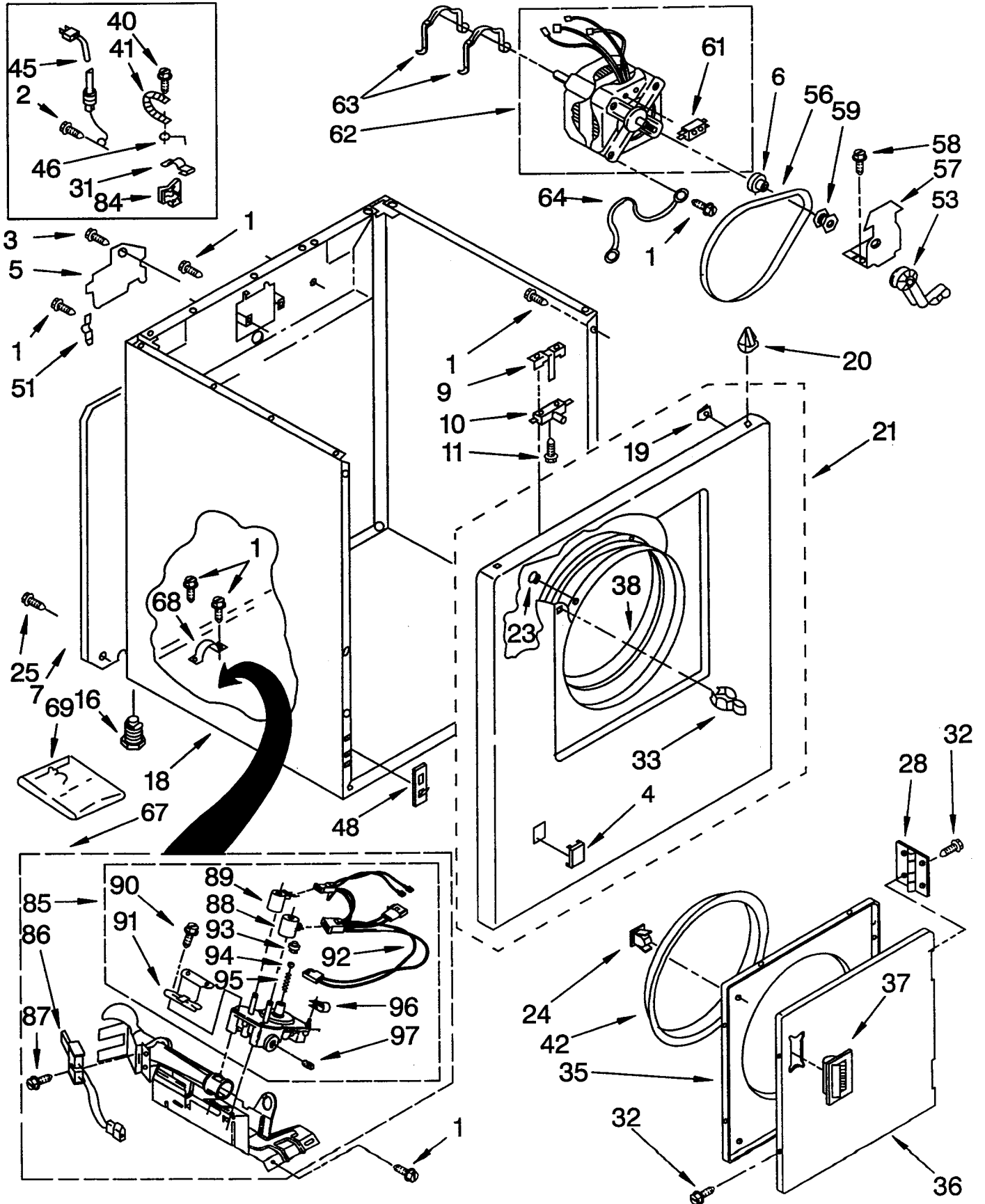
| | |
|--------|----------------|
| 799344 | White (Uncut) |
| 978883 | Almond (Uncut) |

Following May Be Purchased: DO-IT-YOURSELF-REPAIR-MANUALS

| | |
|-----------|-------------------------------|
| LIT677813 | Automatic Washer (Belt Drive) |
| LIT677818 | Dryer |
| LIT677821 | Compactor |
| LIT677967 | Dishwasher |
| LIT677971 | Ice Maker (In Refrigerator) |

CABINET PARTS

For Models:GL3030WW1



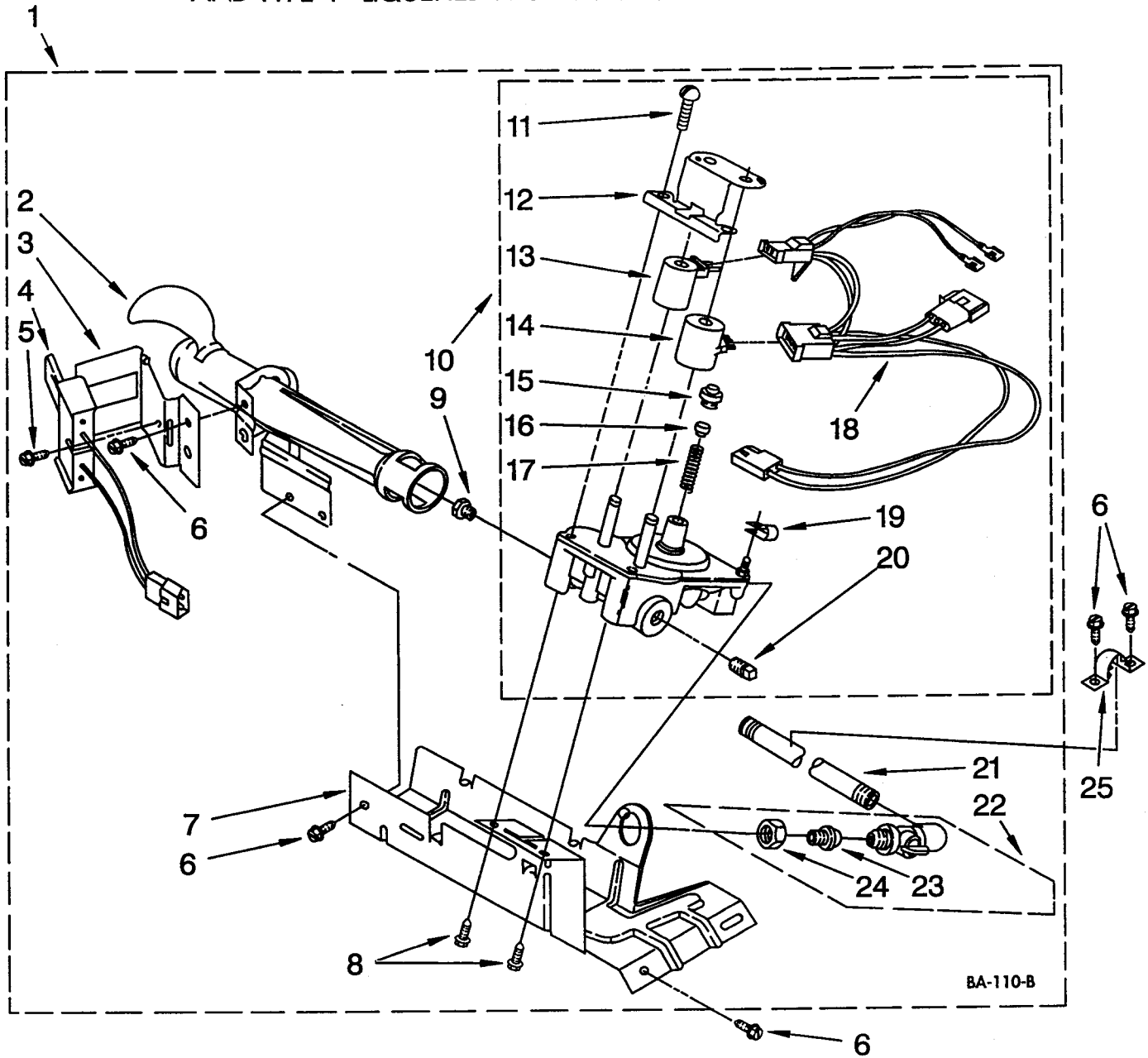
| | | |
|----|---------|---|
| 1 | 343641 | Screw, 10-16 x 1/2 |
| 2 | 697776 | Screw, 10-16 x 1/2 (External Ground) |
| 3 | 693995 | Screw, Hex Head |
| 4 | | Plug, Front Panel |
| | 3394975 | White |
| | 3394976 | Almond |
| 5 | 690893 | Cover, Block |
| 6 | 3393657 | Restrainer, Belt |
| 7 | 347736 | Panel, Rear |
| 9 | 691581 | Clip, Door Switch |
| 10 | 347207 | Switch, Door |
| 11 | 98129 | Screw, 6-20 x 7/8 (2) |
| 16 | 3392100 | Foot, Dryer (4) |
| 18 | | Cabinet |
| | 3394109 | White |
| | 3394110 | Almond |
| 19 | 98234 | Clip, Ground (2) |
| 20 | 690363 | Lock, Front Top (2) |
| 21 | | Front Panel Assembly |
| | 3394895 | White |
| | 3394896 | Almond |
| 23 | 685203 | Clip, Felt Pad |
| 24 | 3389441 | Catch, Door |
| 25 | 693994 | Screw, Hex Head |
| 28 | 348023 | Hinge & Pin Assembly (2) |
| 31 | 98997 | Clip, Harness |
| 32 | 694091 | Screw |
| 33 | 696144 | Strike, Door |
| 35 | 695656 | Door, Rear |
| 36 | | Door, Front |
| | 348205 | White |
| | 689314 | Almond |
| 37 | | Handle, Door |
| | 686711 | White |
| | 689306 | Almond |
| 38 | 349462 | Seal & Bearing Assembly |
| 40 | 132848 | Screw, 10-24 x 1 |
| 41 | 22965 | Strap, Ground |
| 42 | 685763 | Seal, Door |
| 45 | 344020 | Cord, Power |
| 46 | 364089 | Wire, Ground |
| 48 | 3394083 | Clip, Front Panel |
| 51 | 238088 | Hinge, Top (2) |
| 53 | 691366 | Idler & Pulley Assembly |
| 56 | 3394651 | Belt, Drive |
| 57 | 348780 | Base, Motor |
| 58 | 172455 | Bolt, 5/16-18 x 3/4 |
| 59 | 3389627 | Pulley, 60 Hz. |
| 61 | 3388235 | Switch (Use W/3391888 Motor) |
| 62 | 3391888 | Motor, 60 Hz. |
| 63 | 660658 | Clamp, Motor (2) |
| | 343481 | (Alt.) |
| | 685441 | (Alt.) |
| 64 | 690236 | Wire, Ground (Motor) |
| 67 | 694670 | Burner Assembly, 60 Hz. (Refer To Pages 6 & 7 For Further Breakdown) |
| 68 | 341029 | Clamp, Pipe |

| | | |
|----|--------|--|
| 69 | 694572 | Kit, Conversion (Type 1, 2 & 3 To Type 4) |
| | 279243 | Kit, Conversion (Type 1 To Type 3) |
| 84 | 688412 | Clip, Retainer |
| 85 | 694054 | Valve, Gas 60 Hz. (Complete) |
| 86 | 660991 | Ignitor |
| | 686590 | (Alt.) |
| 87 | 686953 | Screw & Washer |
| 88 | 694539 | Coil, 60 Hz. (Split) (3 Terminal) (Pilot Position) |
| 89 | 694540 | Coil, 60 Hz. (2 Terminal) (Main) |
| 90 | 694421 | Screw, Bracket Mounting (8-32 x 1/2) |
| 91 | 694538 | Bracket, Coil |
| 92 | 694426 | Harness, Wiring |
| 93 | 694424 | Leak Limiter |
| 94 | 694423 | Screw, Regulator Adjustment |
| 95 | 694422 | Spring, Regulator |
| 96 | 694510 | Clip, Harness |
| 97 | 239822 | Plug, Pipe |

694670 BURNER ASSEMBLY

For Models:GL3030WW1

USE WITH TYPE 1 - NATURAL, TYPE 2 - MIXED, TYPE 3 - MANUFACTURED
AND TYPE 4 - LIQUEFIED PROPANE AND BUTANE GASES



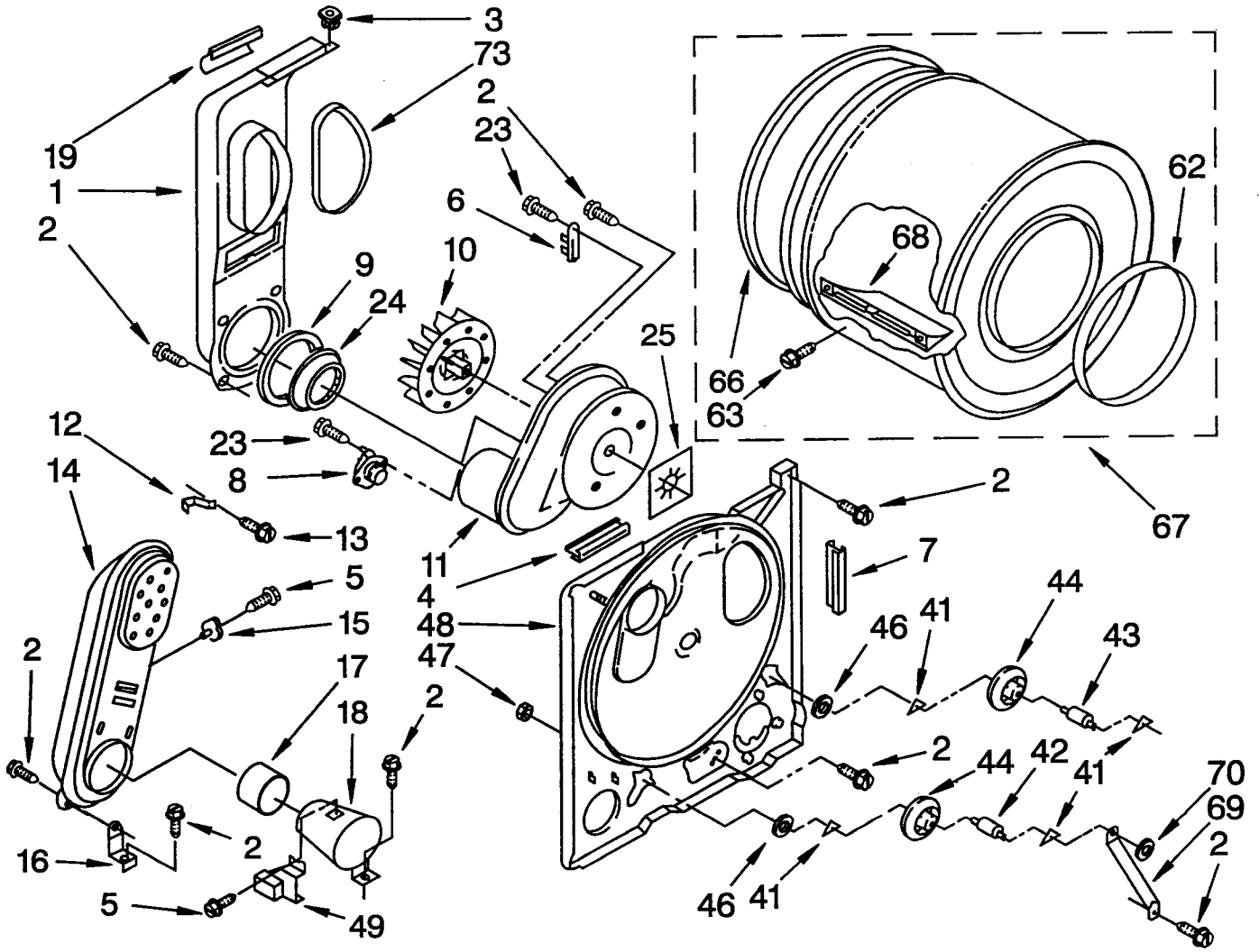
| | | |
|----|---------|--|
| 1 | 694670 | Burner Assembly 60 Hz. (Type 1, 2 & 3) (White Rodgers) |
| 2 | 688617 | Tube, Burner |
| 3 | 694298 | Bracket, Ignitor |
| 4 | 660991 | Ignitor |
| | 686590 | (Alt.) |
| 5 | 686953 | Screw & Washer (8-32 x 5/8) |
| 6 | 343641 | Screw, 10-16 x 1/2 |
| 7 | 693986 | Base, Burner |
| 8 | 339527 | Screw, 8-32 x 3/8 (2) |
| 9 | | Orifice, Burner |
| | 234826 | Type 1 |
| | 15775 | Type 2 |
| | 15419 | Type 3 |
| | 229742 | Type 4 (Butane) |
| | 234868 | Type 4 (Propane) |
| 10 | 694054 | Valve, 60 Hz. |
| 11 | 694421 | Screw, 8-32 x 1/2 (2) |
| 12 | 694538 | Bracket, Coil |
| 13 | 694540 | Coil, 60 Hz. (2 Terminal) (Main) |
| 14 | 694539 | Coil, 60 Hz. (Split) (3 Terminal) (Pilot Position) |
| 15 | 694424 | Leak Limiter |
| 16 | 694423 | Screw, Regulator Adjustment |
| 17 | 694422 | Spring, Regulator |
| 18 | 694426 | Harness, Wiring (Complete) |
| 19 | 694510 | Clip, Harness |
| 20 | 239822 | Plug, Pipe |
| 21 | 233273 | Pipe, Gas Supply |
| 22 | 345062 | Valve & Union, Shut-Off |
| 23 | 3393767 | Pipe, Tail |
| 24 | 233076 | Nut, Compression |
| 25 | 341029 | Clamp, Pipe |

FOLLOWING PARTS NOT ILLUSTRATED

| | |
|--------|--|
| 279243 | Conversion Kit Type (1) Natural to Type (3) Manufactured |
| 694572 | Conversion Kit (Type 1, 2 & 3) to Type (4) L.P.G. |

BULKHEAD PARTS

For Models:GL3030WW1



| | | |
|----|---------|---------------------------|
| 1 | 694283 | Lint Chute Assembly |
| 2 | 343641 | Screw, 10-16 x 1/2 |
| 3 | 98460 | Nut, Push-In |
| 4 | 686889 | Pad, Cabinet |
| 5 | 90767 | Screw, 8A x 3/8 |
| 6 | 3392519 | Fuse, Thermal |
| 7 | 3392247 | Pad, Blower Housing |
| 8 | 3387134 | Thermostat, Internal-Bias |
| 9 | 347139 | Seal, Lint Chute |
| 10 | 694089 | Wheel, Blower |
| 11 | 695081 | Housing, Blower |
| 12 | 337272 | Clip |
| 13 | 687128 | Screw, 10-16 x 1/2 |
| 14 | 685458 | Box, Heater |
| 15 | 660036 | Thermostat, 205~F (96~C) |
| | 338471 | (Alt.) |
| | 341196 | (Alt.) |
| 16 | 337445 | Support, Heater Box (2) |
| 17 | 337450 | Collar, Funnel |
| 18 | 347389 | Funnel, Burner |
| 19 | 686770 | Supp\ort Pr\otector |
| 23 | 695239 | Screw, 8-18 x 3/8 |
| 24 | 696302 | Shield, Exhaust |
| 25 | 3392123 | Seal, Blower Shaft |
| 41 | 690997 | Ring, Tri |
| 42 | 347364 | Shaft, L.H. |
| 43 | 339489 | Shaft, R.H. |
| 44 | 3389901 | Roller, Support |
| 46 | 348197 | Washer, Support |
| 47 | 120377 | Nut, 3/8-16 |
| 48 | 685775 | Bulkhead |
| 49 | 338906 | Sensor, Radiant |
| 62 | 3394508 | Ring, Bearing |
| 63 | 690372 | Screw, 11-16 x 7/8 |
| 66 | 337449 | Seal, Rear Drum |
| 67 | 695584 | Drum Assembly |
| 68 | 342847 | Baffle, Drum |
| 69 | 348945 | Bracket, Support |
| 70 | 90296 | Clip |
| 73 | 339956 | Seal |