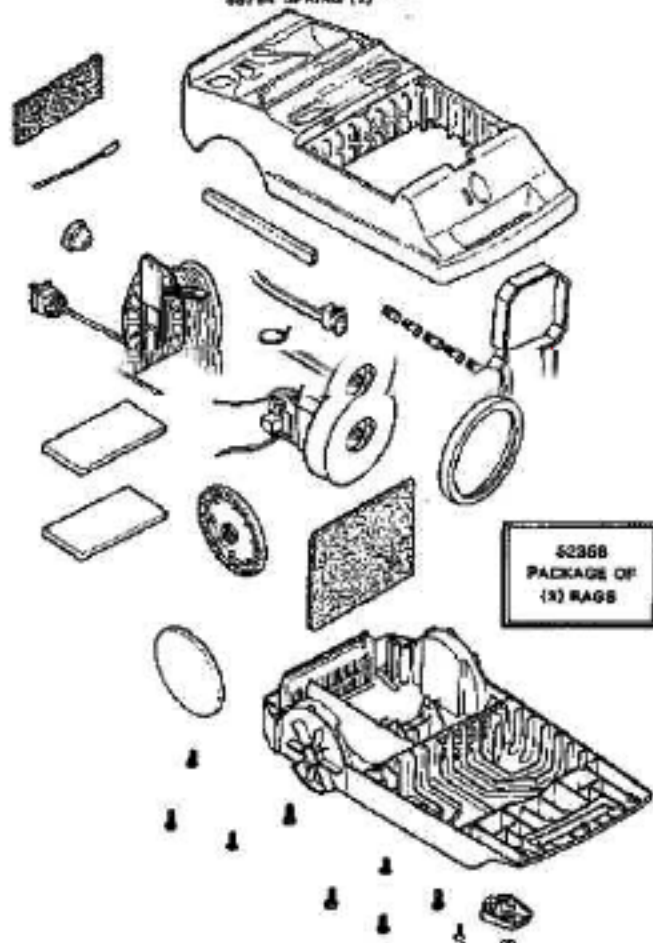




3401-12 BAG COVER ASSY.
37471-1 GASKET



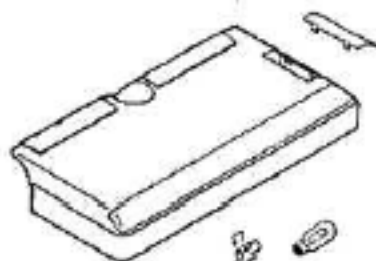
34102-5 UPPER SHELL & LATCH ASSY (INCLUDES)
37966 WIRING SHIELD
36907 RETAINER RING
33619-1 GASKET
25651-4 CONNECTOR ASSY.
26653-72 BUTTON LATCH
36794 SPRING (2)



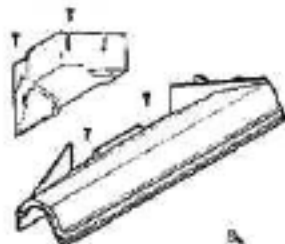
52368
PACKAGE OF
(X) RAGS

33579-0 LOWER SHELL & WHEEL ASSY (INCLUDES)
37403-1 CASTER ASSY.
36578 WASHER

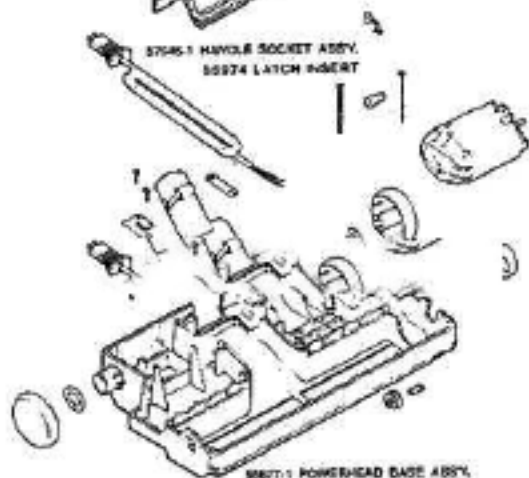
Part #	Part	Description	Comments	Qty
1	26440-23	WHEEL - REAR		
2	26649-15	BUTTON - SWITCH		
3	26650-9	BUTTON - CORD REEL		
4	26651-4	CONNECTOR ASSEMBLY		
5	26653-12	BUTTON - LATCH		
6	26715	GASKET - MOTOR MOUNTING		
7	27184	MOTOR ASSY - CTND		
8	37403-1	CASTER		
9	37657	FILTER - MOTOR		
10	37710	FILTER - EXHAUST		
11	37761-1	BAG INDICATOR ASSEMBLY		
12	37781-1	GUIDE - CORD		
13	37966	SOUND FOAM		
14	52358	PAPER BAG - STYLE V		
15	53141	TIE - CABLE		
16	53197-1	SCREW PACKAGE		
17	53214-2	WIRE SPLICE 5		
18	53238-1	SCREW PACKAGE		
19	53238-8	SCREW PACKAGE		
20	55446	NUT - SWITCH		
21	55463	GASKET - MOTOR STACK		
22	55794	SPRING		
23	55919-1	GASKET - SHELL		
24	56326-1	TUBE - WIRE		
25	56376	WASHER		
26	56750	CLIP - BAG INDICATOR		
27	57471-1	GASKET - SHELL		
28	57580	THERMOSTAT		



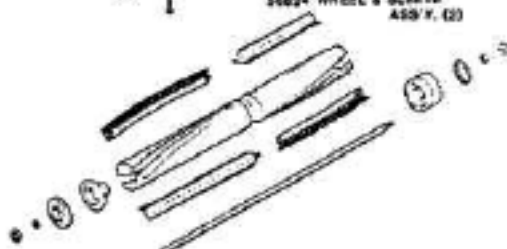
50232-1 DISTRIBUTOR COVER ASSY.
50271 FELT GASKET
50260 FOAM STRIP



57045-1 HANDLE SOCKET ASSY.
50274 LATCH INSERT

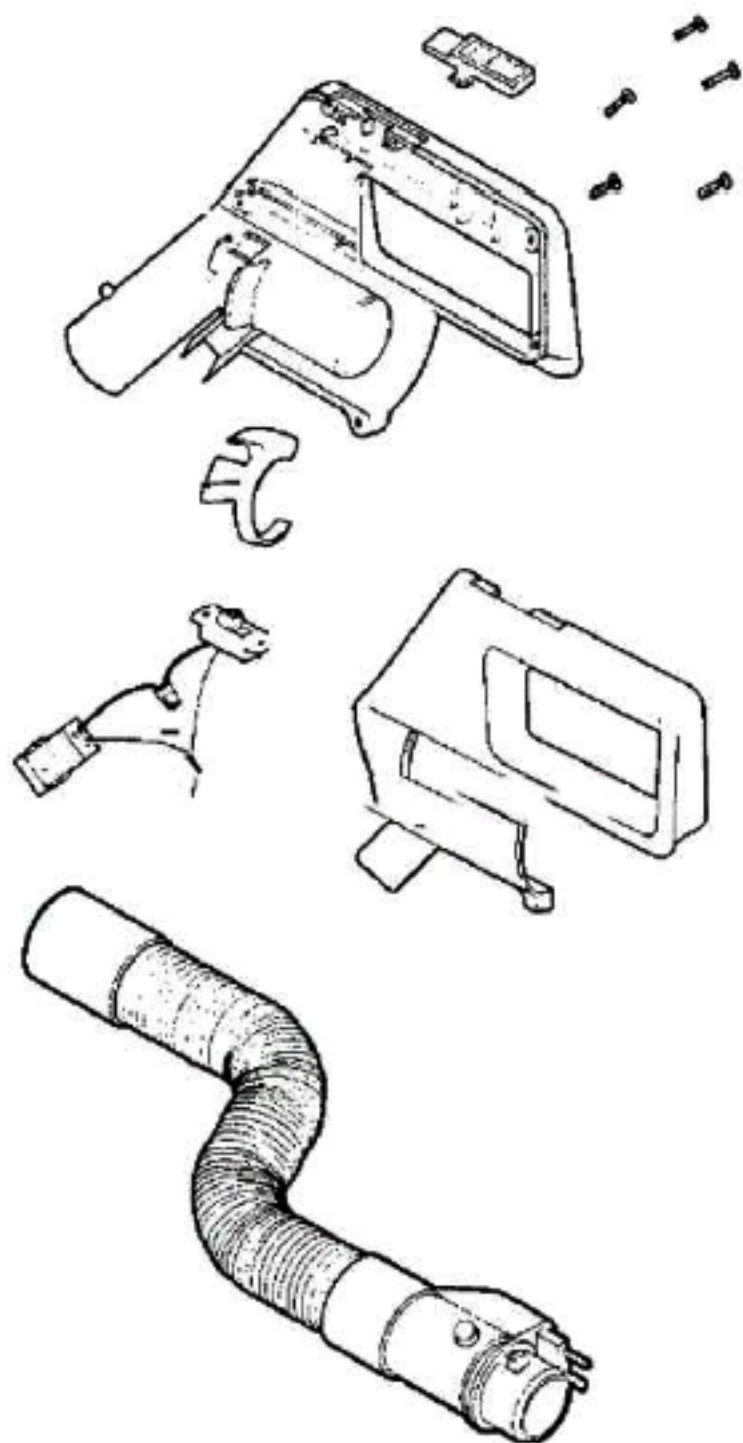


50271-1 POWERHEAD BASE ASSY.
(INCLUDES)
50270 FELT GASKET (2)
50268 FELT GASKET
50271 FELT GASKET
50429 AXLE (2)
50224 WHEEL & BEARING
ASSY. (2)



50690-2 COMPLETE DISTRIBUTOR ASSEMBLY
50225 DISTRIBUTOR REPAIR KIT
50226 BEARING & RETAINER ASS'Y.
50227 PULLEY & BEARING ASS'Y.
50228 SHAFT

Part #	Part	Description	Comments	Qty
1	13650	TUBE - DISTURBULATOR		
2	26028-1	WINDOW - BELT		
3	26159-7	MOTOR ASSEMBLY - CARTONED		
4	26590-2	DISTURBULATOR ASSY - CRTN		
5	37434-9	WHEEL - REAR		
6	37755-1	CORD & SPRING ASSEMBLY		
7	40009A	LAMP - HEADLIGHT		
8	52201A	BELT PKG ASSY (PH)		
9	52988-2	BRISTLE STRIP SET		
10	52995	DISTURBULATOR REPAIR KIT		
11	53158	LOCK NUT PACKAGE		
12	53167	WASHER - SHAFT PACKAGE		
13	53190-1	BUSHING - STRAIN RELIEF-P		
14	53214-2	WIRE SPLICE 5		
15	53238-18	SCREW PACKAGE		
16	53238-19	SCREW PACKAGE		
17	53238-8	SCREW PACKAGE		
18	53242	DISTURBULATOR CAP		
19	53243	CAP - DISTURBULATOR		
20	54016-18	POWERHEAD HOOD ASSY - PAC		
21	55968	GASKET - FELT		
22	55970	GASKET - FELT		
23	55971	GASKET - FELT		
24	55974	INSERT - LATCH		
25	55979	SPRING STRAP		
26	55980	STRAP		
27	56180	FELT WASHER		
28	56232-1	DISTURBULATOR COVER ASSEM		
29	56489	AXLE		
30	56677-1	POWERHEAD BASE ASSY - PAC		
31	56698-1	AIR DUCT COVER ASSEMBLY		
32	56824	WHEEL & SLEEVE ASSEMBLY		
33	57046-1	HANDLE SOCKET & CORD KIT		



Kit#	Part	Description	Comments	Qty
1	37774-1	SWITCH & CONNECTOR ASSY		
2	37789-9	COVER - BLEEDER		
3	38124-9	COVER & GRAPHICS ASSEMBLY		
4	53257-1	SCREWS - PACKAGE 10		
5	54003-5	HANDLE ASSY 2 WIRE (PACKA		
6	56679-1	HOSE ASSEMBLY - CARTONED		