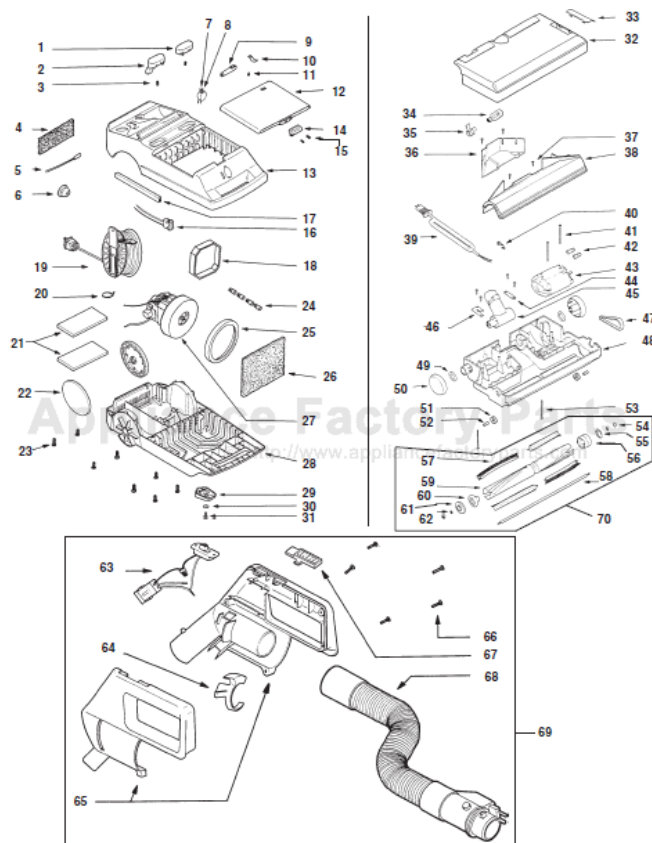


This Owner's Manual is provided and hosted by Appliance Factory Parts.



Eureka 3988A Owner's Manual

[Shop genuine replacement parts for Eureka 3988A](#)



[Find Your Eureka Vacuum Cleaner Parts - Select From 855 Models](#)

----- Manual continues below part list -----

Available Replacement Parts for Eureka 3988A

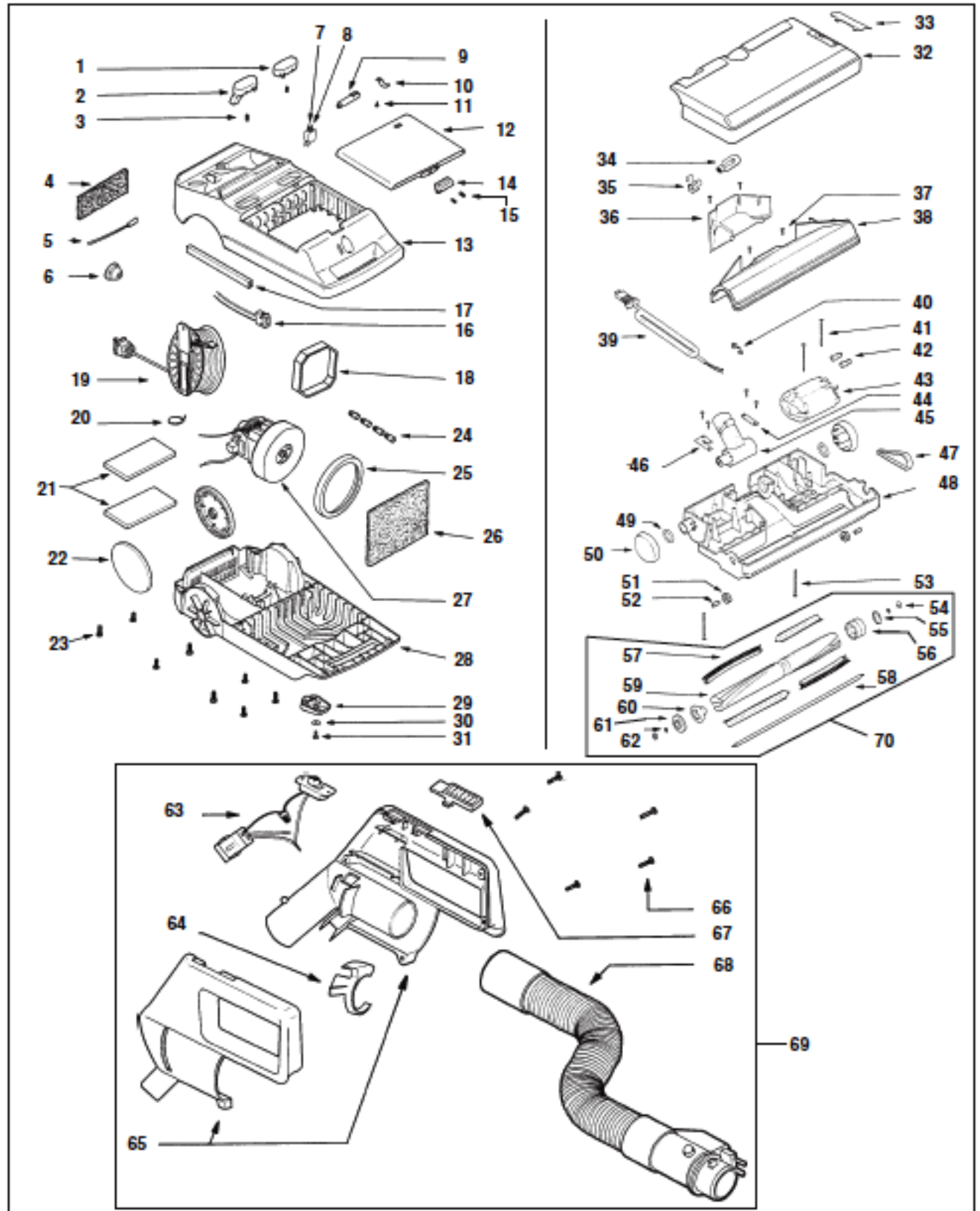
| | |
|---------------------------|----------------------------------|
| ER-1050 | BELT, EUREKA 1 PACK |
| ER-1422 | BAG EUREKA 3 PACK |
| E-37657 | FILTER, CANISTER, 1PK |
| FA-3500 | LIGHT BULB, 25 WATT |
| E-26590-2 | BRUSHROLL ASSY |
| ER-6050 | MOTOR ASSEMBLY |
| Fa-3400 | switch â€“ step on 1 Inch Leads. |

EUREKA

RALLY

Model 3988A Shown

Original & Replacement



Original & Replacement

EUREKA
RALLY
Model 3988A Shown

| KEY | PART NO. | DESCRIPTION | KEY | PART NO. | DESCRIPTION |
|-----|----------------|-----------------------------|-----|----------------|-----------------------------------|
| 1 | E-26649-1 | Switch Button | 39 | E-37755-1 | Cord & Spring Ass'y 3 Wire |
| 2 | E-26650-1 | Cord Reel Button | 40 | E-53190-1 | Strain Relief Bushing |
| 3 | E-55794 | Spring | 41 | E-53238-19 | Screw |
| 4 | E-37710 | Exhaust Filter | 42 | E-EW22-37 | Wire Nut |
| 5 | E-56146 | Thermostat | 42 | SS-3270 | Wire Nut |
| 6 | E-37781-1 | Cord Guide | 43 | E-26159-7 | Motor Ass'y |
| 7 | E-25919-3 | Switch | 43 | ER-6050 | Motor Ass'y |
| 7 | FA-3400 | Switch | 44 | E-55980 | Strap |
| 8 | E-55446 | Switch Nut | 45 | E-57046-1 | Handle Socket Ass'y |
| 9 | E-37761-1 | Bag Indicator Ass'y | 46 | E-55979 | Spring Strap |
| 10 | E-56750 | Bag Indicator Clip | 47 | E-52201 | Belt 2 PK |
| 11 | E-53238-1 | Screw | 47 | ER-1050 | Belt |
| 12 | E-14500-5 | Bag Cover & Graphic Ass'y | 48 | E-56677-2 | Powerhead Base Ass'y** |
| 13 | E-57032-3 | Upper Shell & Latch Ass'y* | | E-55970 | **Felt Gasket |
| | E-37956 | *Wiring Shield | | E-55968 | **Felt Gasket |
| | E-56807 | *Retainer Ring | | E-55971 | **Felt Gasket |
| | E-55919-1 | *Gasket | 49 | E-56180 | Felt Washer |
| 14 | E-26653-8 | *Button Latch | 50 | E-37434-4 | Rear Wheel Ass'y |
| 15 | E-55794 | *Spring | 51 | E-56824 | Wheel & Sleeve Ass'y |
| 16 | E-26651-4 | *Connector Ass'y | 52 | E-56489 | Axle |
| 17 | E-56326-1 | Wire Tube | 53 | E-53238-18 | Screw |
| 18 | E-55463 | Motor Stack Gasket | 54 | E-56489 | *Locknut |
| 19 | E-26416-7 | Cord Reel Ass'y | 53 | E-52988-2 | *Disturbulator Cap |
| 20 | E-53141 | Cable Tie | 58 | E-37579 | *Pulley & Bearing Ass'y |
| 21 | E-37966 | Sound Foam | 57 | E-52988-2 | *Bristle Strip Set VGIII Pair |
| 22 | E-37946-9 | Rear Wheel Ass'y | 58 | E-37429 | *Shaft |
| 23 | E-53197-1 | Screw | 59 | E-13650 | *Disturbulator Tube |
| 24 | E-53214-2 | Wire Nut | 60 | E-37578 | *Bearing & Retainer Ass'y |
| 24 | SS-3270 | Wire Nut | 61 | E-53243 | *Disturbulator Cap |
| 25 | E-26715 | Wire Retaining Gasket | 62 | E-53167 | *Shaft Washer |
| 26 | E-37657 | Motor Ass'y | 63 | E-37774-1 | Switch & Connector Ass'y |
| 27 | E-26673 | Motor Ass'y | 64 | E-37789-7 | Bleeder Cover |
| 27 | GS-041 | Motor Ass'y | 65 | E-53546-5 | Hose Handle Set |
| 28 | E-57033-3 | Lower Shell & Wheel Ass'y** | 66 | E-53257-1 | Screw |
| 29 | E-37403-1 | **Caster Ass'y | 67 | E-37697-7 | Switch Cover |
| 30 | E-56376 | **Washer | 68 | E-56679-1 | Hose & Coupling Ass'y |
| 31 | E-EW3128T8ZP | **Screw | 69 | E-15003-6 | Hose Ass'y Complete |
| 32 | E-57045-2 | Powerhead Hood Ass'y | 70 | E-26590-2 | Brushroll, VGIII* |
| 33 | E-26469-1 | Belt Window | | E-52358 | Paper Bag Style V 3 Pk |
| 34 | E-0009A | Headlight | | ER-1422 | Paper Bag Style V DVC 3 Pk |
| 34 | FA-3500 | Headlight | | | |
| 35 | E-37444 | Headlight Socket Ass'y | | | |
| 36 | E-36698-1 | Air Duct Cover Ass'y | | | |
| 37 | E-53238-8 | Screw | | | |
| 38 | E-56232-1 | Disturbulator Cover Ass'y* | | | |
| | E-55971 | *Felt Gasket | | | |
| | E-55961 | *Foam Strip | | | |