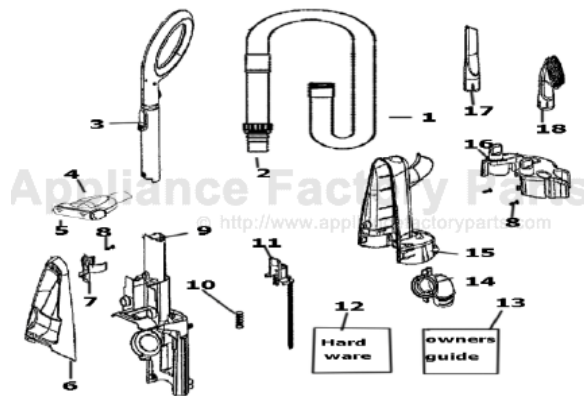


This Owner's Manual is provided and hosted by [Appliance Factory Parts](http://www.appliancefactoryparts.com).



Eureka 4235AZ Owner's Manual

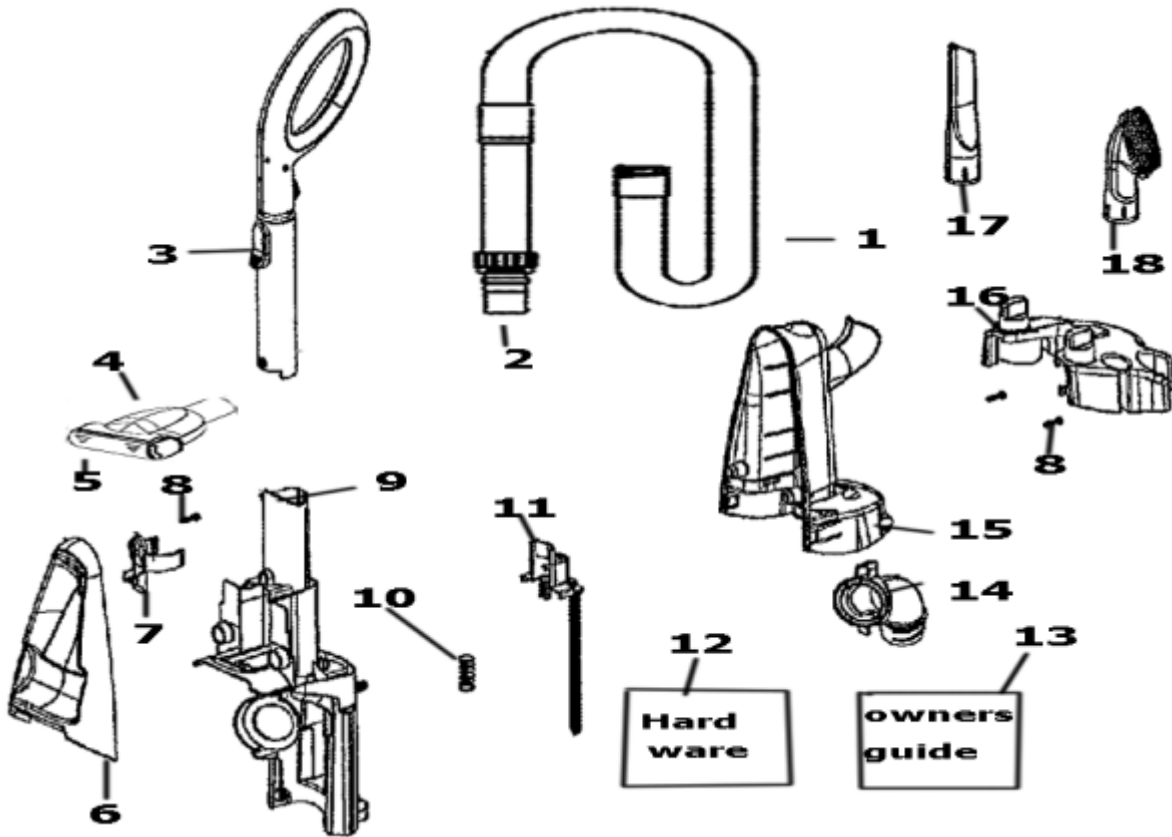
[Shop genuine replacement parts for Eureka 4235AZ](#)



[Find Your Eureka Vacuum Cleaner Parts - Select From 853 Models](#)

----- Manual continues below -----

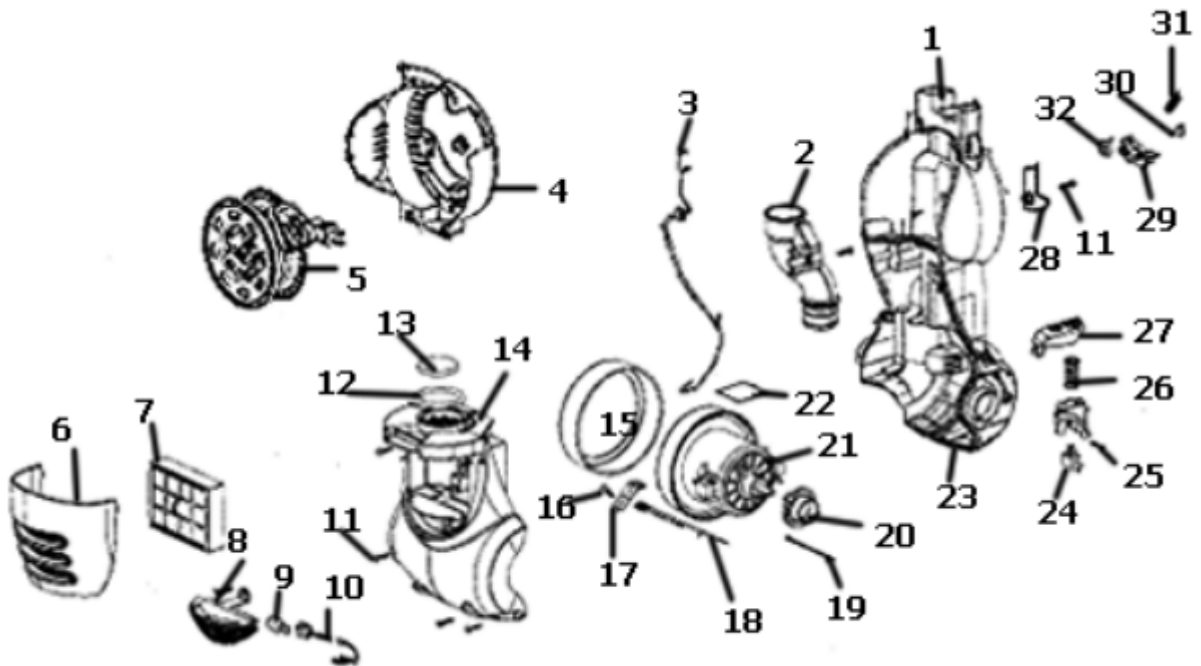
Handle & Accessories - 4235AZ



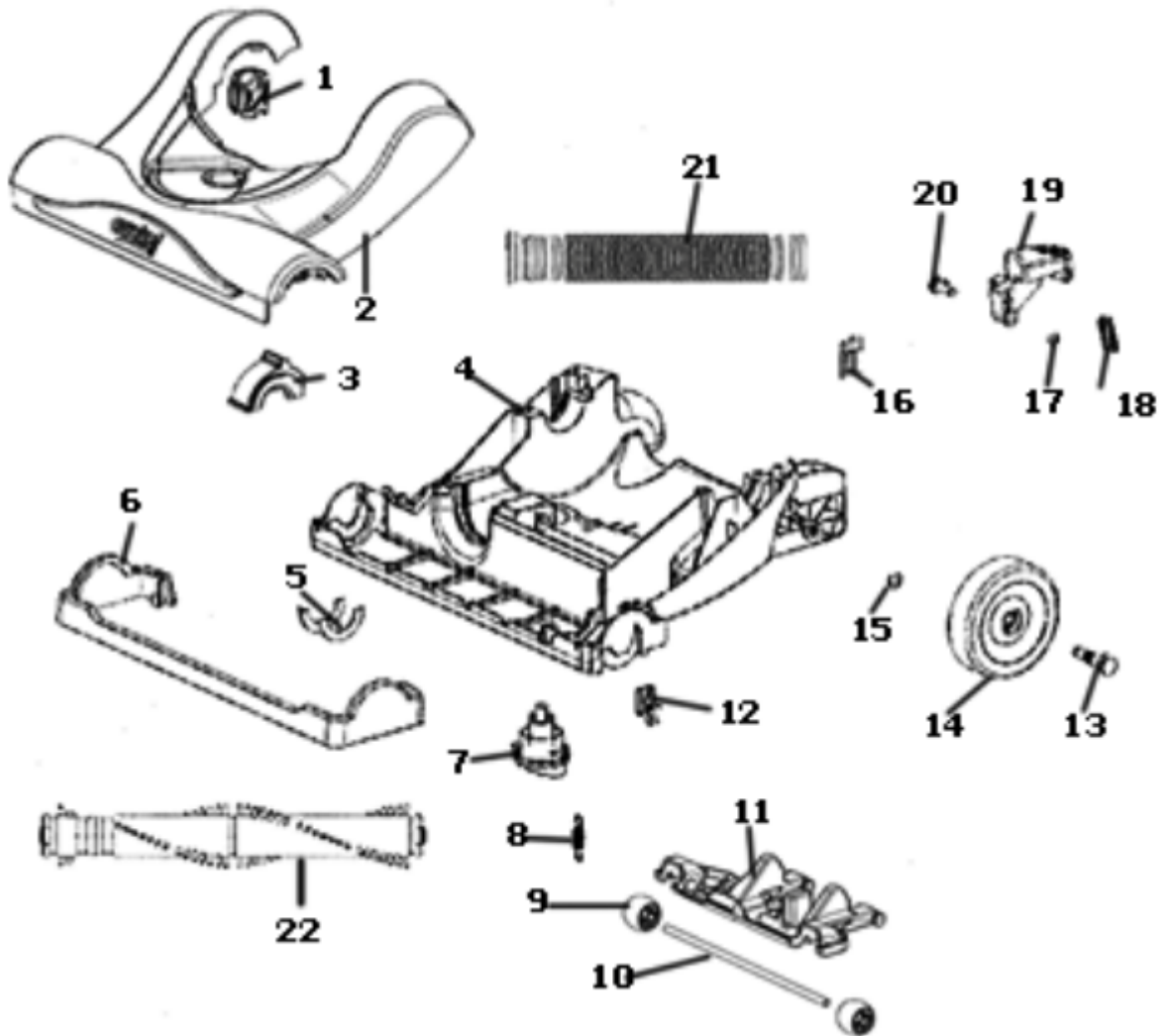
Handle & Accessories - 4235AZ

Ref #	Part	Description	Comments	Qty
1	16074-1	HOSE ASSEMBLY - CARTONED		
2	81218-1	TELESCOPIC WAND ASSEMBLY		
3	81788-1	HANDLE AND TUBE ASSEMBLY		
4	81295	TURBO NOZZLE ASSEMBLY		
5	75914	BELT - TURBO		
6	80709-426N	COVER - TURBO NOZZLE		
7	80914-453N	CLIP - TURBO		
8	53238-27	SCREW PACKAGE		
9	81642-1	UPPER REAR HOUSING & GRAP		
10	54943-3	SPRING PACKAGE		
11	80634-534N	ROD - CORD REWIND		
12	81897A	PACKAGE - HARDWARE		
13	81221	OWNERS GUIDE		
14	81060	HOSE ADAPTOR ASSEMBLY		
15	80913-426N	COVER - REAR HANDLE		
16	80708-426N	TOOL CADDY		
17	80707-453N	CREVICE TOOL		
18	39379-2	COMBINATION BRUSH - BRIST		

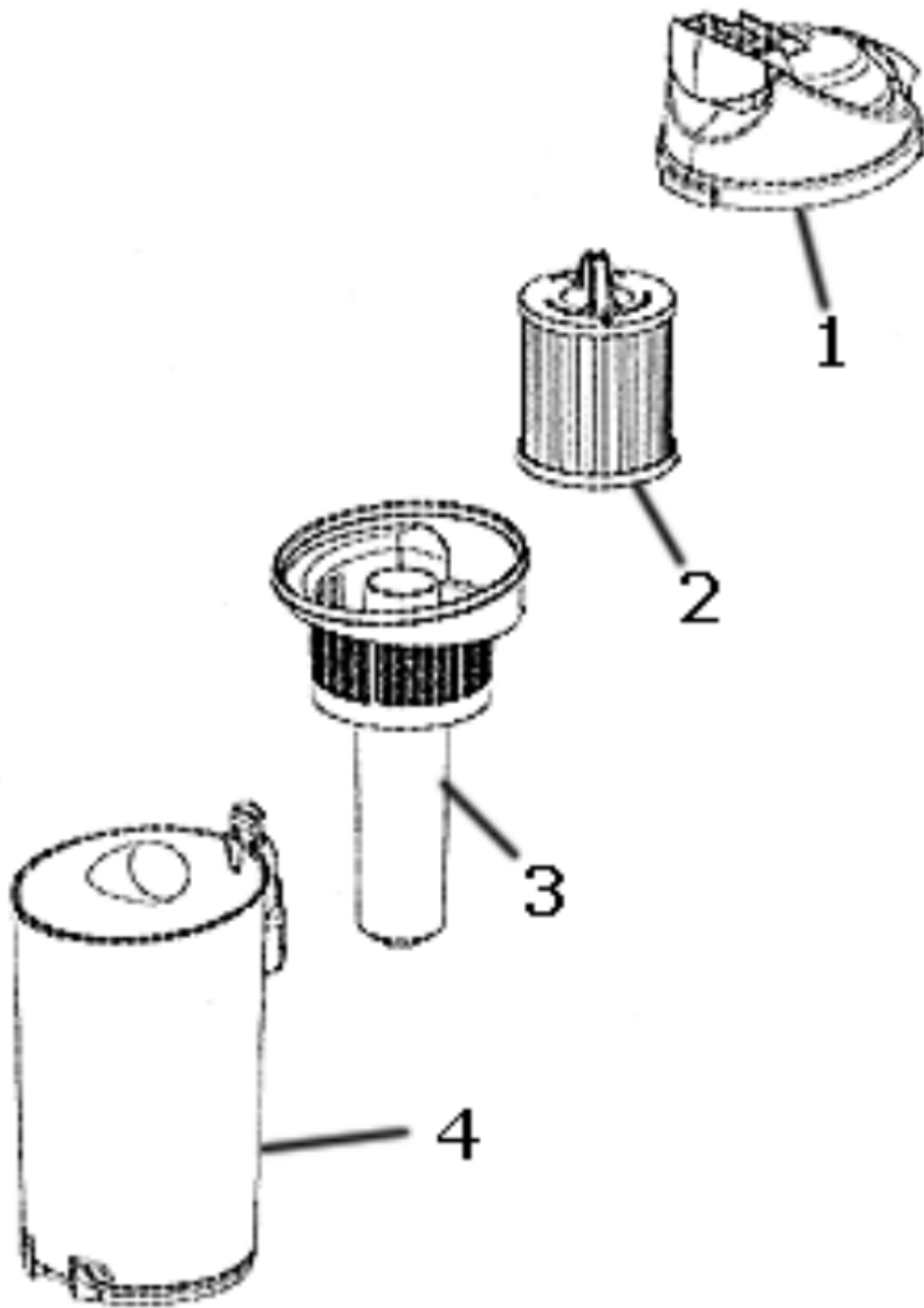
Main Body - 4235AZ



Ref #	Part	Description	Comments	Qty
1	81312-1	REAR HOUSING & GRAPHICS A		
2	81062-1	HOSE COUPLING ASSEMBLY		
3	81261A	JUMPER - WIRE ASSEMBLY		
4	82207-2	CORDREEL COVER ASSEMBLY (
5	80613-1	CORD REEL ASSEMBLY		
6	81249-1	DOOR - EXHAUST FILTER ASS		
7	81250-3	FILTER ASSY-EUREKA HF-11		
8	80627-313N	LENS		
9	57940-3	LAMP - HEADLIGHT		
10	38828B-7	HEADLIGHT ASSEMBLY		
11	53238-27	SCREW PACKAGE		
12	81482	GASKET - MOTOR COVER INLE		
13	80618	FOAM - PREMOTOR		
14	80629-426N	MOTOR COVER		
15	72476-141N	GASKET - MOTOR CAN		
16	61803-3	SCREW PACKAGE		
17	72443	THERMOSTAT CLIP		
18	74719-1	THERMOSTAT & TERMINAL ASS		
19	46713-6	TIE - CABLE (PURCHASED)		
20	72650-316N	BUSHING - MOTOR		
21	62075-1	MOTOR ASSEMBLY - CTND		
22	73526-1	SHIELD - MOTOR		
23	72522-4	GASKET - MOTOR COVER		
24	81142	SWITCH		
25	80621-426N	BRACKET - POWER SWITCH		
26	54943-4	SPRING PACKAGE		
27	80630-534N	PEDAL - POWER SWITCH		
28	80633-453N	COVER - SUPPLY CORD		
29	80614-316N	LEVER - CORD RELEASE		
30	60160	SCREW PACKAGE 10		
31	54943-5	SPRING PACKAGE		
32	80915	TIGHTENING WHEEL ASSY		
	82207-2	CORDREEL COVER ASSEMBLY (



Ref #	Part	Description	Comments	Qty
1	80682-534N	LEVER - HEIGHT ADJUSTMENT		
2	16073-2	HOOD ASSEMBLY - PACKAGED		
3	81248	BELT CAP ASSEMBLY		
4	80664A-453N	BASE		
5	73114	FELT - BASE		
6	80669-453N	FURNITURE GUARD		
7	80681A-534N	ACTUATOR - HEIGHT		
8	54943	SPRING PACKAGE		
9	81313A-355N	WHEEL - FRONT		
10	80704-1	AXLE - WHEEL CARRIAGE		
11	80683-453N	WHEEL CARRIAGE		
12	81258-1	BRISTLE INSERT ASSEMBLY		
13	78539	AXLE - REAR WHEEL		
14	80797-1	REAR WHEEL ASSEMBLY		
15	54432-2	PACKAGE - RETAINING RING		
16	38063	GUARD - BELT		
17	54432-6	PACKAGE - RETAINING RING		
18	54943-2	SPRING PACKAGE		
19	81011-453N	HANDLE - RELEASE PEDAL		
20	78138	PIVOT - HANDLE RELEASE		
21	81247-1	BASE HOSE ADAPTOR ASSY		
22	63391-1	DISTURBULATOR ASSEMBLY -		
	61120C	BELT PKG ASSY-STYLE U EXT		



Dust Cup Assembly - 4235AZ

Ref #	Part	Description	Comments	Qty
1	81263-1	DUSTCUP COVER ASSEMBLY		
2	68931	FILTER PKG - EUREKA DCF21		
3	81254-1	FILTER BASKET & INNER TUB		
4	81264-1	DUSTCUP & DOOR ASSEMBLY		