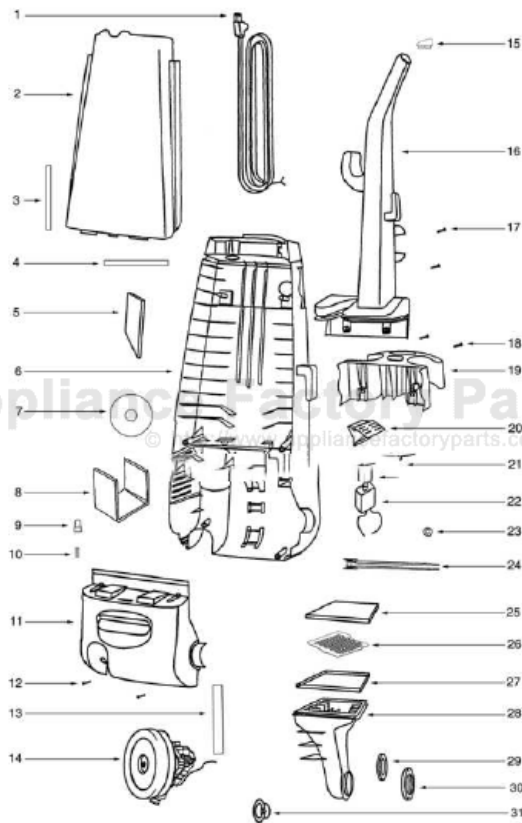


This Owner's Manual is provided and hosted by [Appliance Factory Parts](http://Appliance Factory Parts).



# Eureka 4331A Owner's Manual

[Shop genuine replacement parts for Eureka 4331A](#)

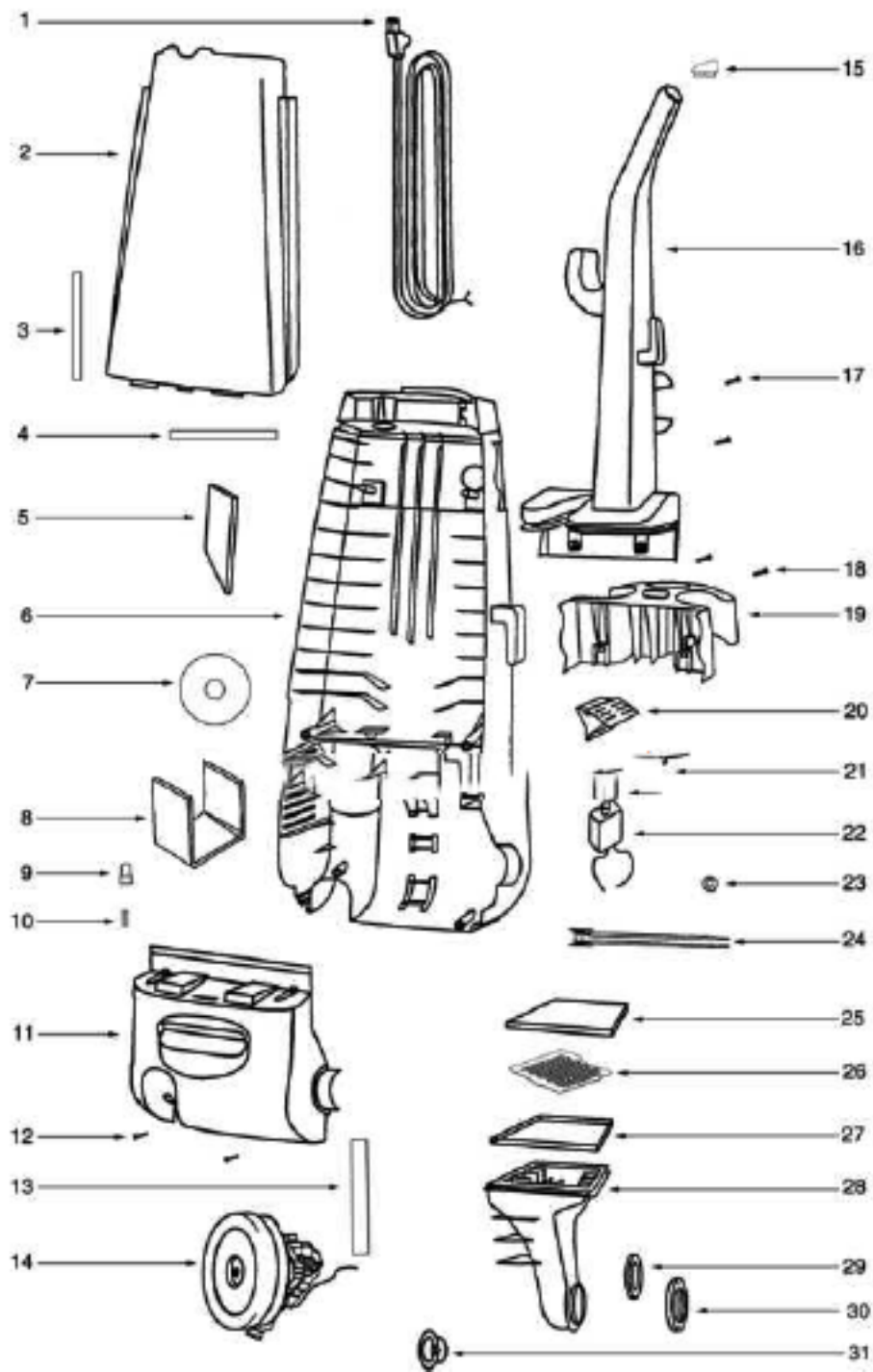


[Find Your Eureka Vacuum Cleaner Parts - Select From 855 Models](#)

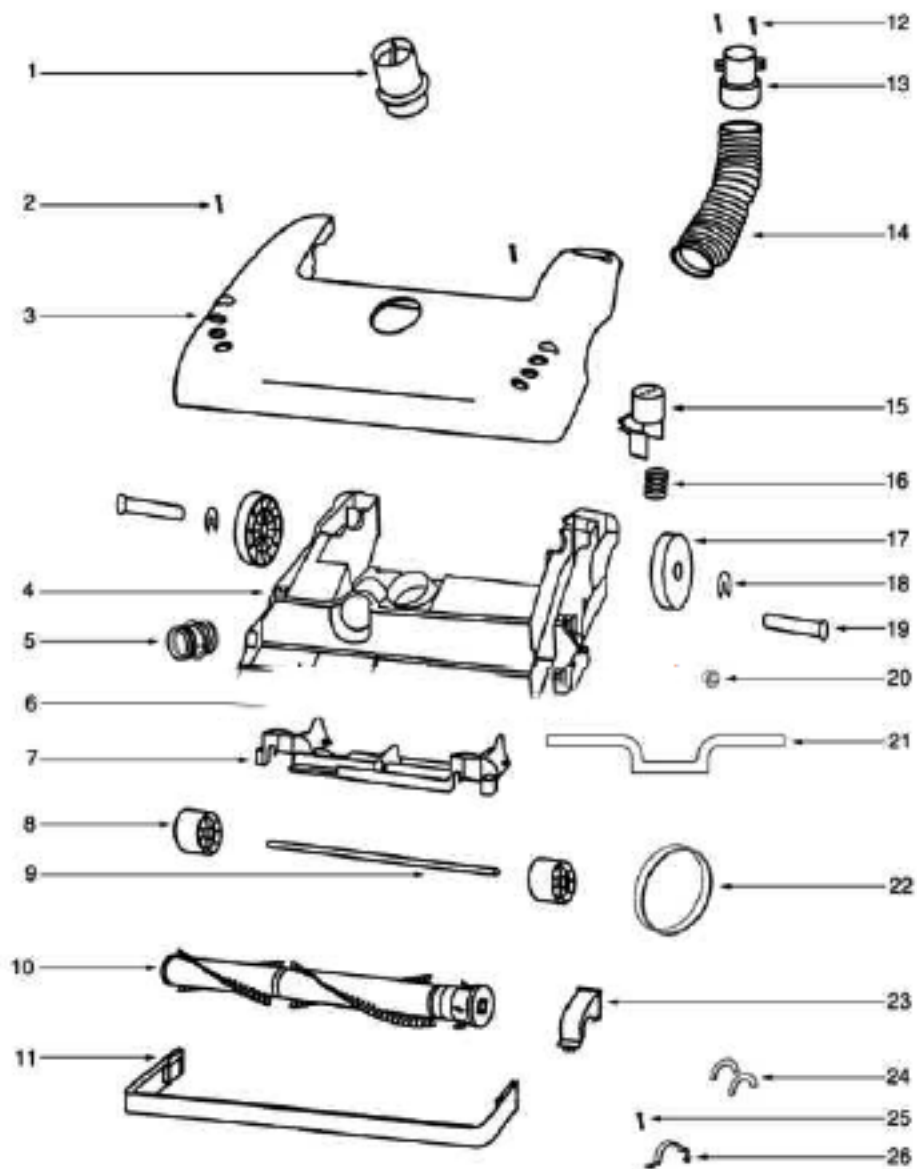
----- Manual continues below part list -----

## Available Replacement Parts for Eureka 4331A

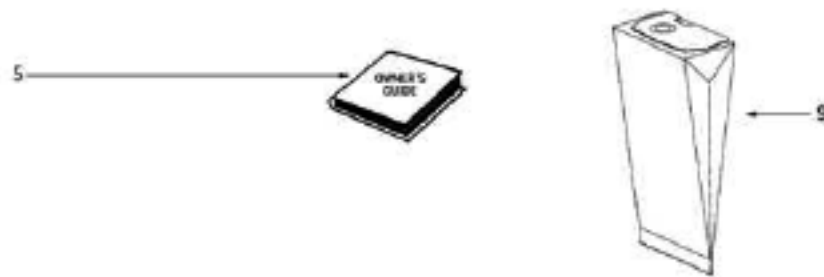
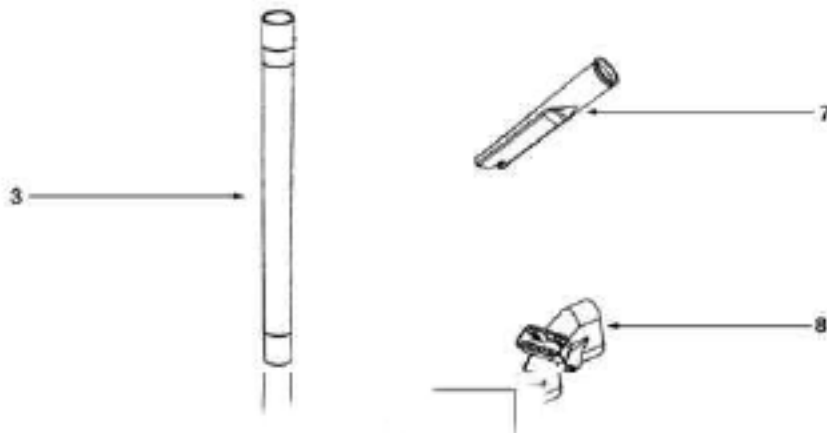
|                           |                                     |
|---------------------------|-------------------------------------|
| <a href="#">e-39266</a>   | BELT OEM EUREKA EXTENED LIFE 1 PACK |
| <a href="#">E-60844-5</a> | BRUSH ROLL, 12 INCH UPRIGHT         |



| Ref# | Part        | Description               | Comments | Qty |
|------|-------------|---------------------------|----------|-----|
| 1    | 38680-16    | SUPPLY CORD & TERMINAL AS |          |     |
| 2    | 54936-90    | BAG COVER ASSY - PACKAGED |          |     |
| 3    | 58505       | GASKET - BAG COVER        |          |     |
| 4    | 38613       | GASKET                    |          |     |
| 5    | 38614       | EXHAUST - FILTER          |          |     |
| 6    | 60126-22    | REAR HOUSING - PACKAGED   |          |     |
| 7    | 38689A      | MOTOR SHIELD              |          |     |
| 8    | 72224-1     | FOAM - SOUND              |          |     |
| 9    | 38678-119N  | PLUNGER                   |          |     |
| 10   | 55794       | SPRING                    |          |     |
| 11   | 60788-28    | MOTOR COVER ASSEMBLY - PK |          |     |
| 12   | 53197-1     | SCREW PACKAGE             |          |     |
| 13   | 27962       | GASKET                    |          |     |
| 14   | 60261-15    | MOTOR ASSEMBLY - PACKAGED |          |     |
| 15   | 38482A-119N | CAP - HANDLE              |          |     |
| 16   | 71139-1     | HANDLE & CAP ASSEMBLY     |          |     |
| 17   | 53238-44    | SCREW PACKAGE             |          |     |
| 19   | 02093A-119N | CADDY - TOOL              |          |     |
| 20   | 27474C-288N | SWITCH - BUTTON           |          |     |
| 21   | 60134       | TORS SPRING PKG           |          |     |
| 22   | 28304A      | SWITCH - PUSHBUTTON       |          |     |
| 23   | 60165-1     | RETAINING RING PKG        |          |     |
| 24   | 39252-2     | THERMOSTAT & TERMINAL ASS |          |     |
| 25   | 61333       | MOTOR FILTER PACKAGE      |          |     |
| 26   | 28425       | GRILLE - AIR DUCT         |          |     |
| 27   | 59297SV     | GASKET - AIR DUCT         |          |     |
| 28   | 15536A-119N | AIR DUCT                  |          |     |
| 29   | 27171A      | GASKET                    |          |     |
| 30   | 39023       | FLANGE - MOTOR INTAKE     |          |     |
| 31   | 27552B      | GROMMET                   |          |     |



| Ref# | Part        | Description               | Comments | Qty |
|------|-------------|---------------------------|----------|-----|
| 1    | 27462E-288N | OPERATOR - HEIGHT ADJUSTM |          |     |
| 2    | 53238-44    | SCREW PACKAGE             |          |     |
| 3    | 54933-76    | HOOD ASSEMBLY - PACKAGED  |          |     |
| 4    | 60843-12    | BASE ASSEMBLY - CARTONED  |          |     |
| 5    | 28243A-316N | ADAPTER - BASE            |          |     |
| 6    | 54943       | SPRING PACKAGE            |          |     |
| 7    | 14993C-119N | CARRIAGE - WHEEL          |          |     |
| 8    | 39173A-119N | WHEEL - FRONT             |          |     |
| 9    | 71551-1     | FRONT AXLE                |          |     |
| 10   | 60251-3     | 12" DISTURBULATOR ASSY -  |          |     |
| 11   | 15237A-288N | GUARD - FURNITURE (12")   |          |     |
| 12   | 53197-1     | SCREW PACKAGE             |          |     |
| 13   | 27468D-119N | CUFF - HOSE               |          |     |
| 14   | 38479-4     | HOSE - COMPRESSION (PURCH |          |     |
| 15   | 27467A-288N | RELEASE - HANDLE          |          |     |
| 16   | 60139       | COMPRESSION SPRING - PACK |          |     |
| 17   | 72117-119N  | WHEEL - REAR              |          |     |
| 18   | 54432-1     | PACKAGE - RETAINING RING  |          |     |
| 19   | 38590A      | AXLE - REAR               |          |     |
| 20   | 72113-1     | BUSHING - AXLE            |          |     |
| 21   | 58506-1     | GASKET                    |          |     |
| 22   | 61120A      | BELT PKG ASSY-STYLE U EXT |          |     |
| 23   | 54376-2     | BELT CAP & GASKET - PACKA |          |     |
| 24   | 57569       | GASKET - FELT             |          |     |
| 26   | 38420-2     | CLAMP                     |          |     |



| Ref# | Part        | Description               | Comments | Qty |
|------|-------------|---------------------------|----------|-----|
| 1    | 61028-1     | HOSE ASSEMBLY - CARTONED  |          |     |
| 2    | 37057A-3    | COUPLING - HOSE           |          |     |
| 3    | 13104-4     | WAND - STRAIGHT           |          |     |
| 4    | 59930B      | PACKAGE - HARDWARE        |          |     |
| 5    | 70262B      | OWNER'S GUIDE             |          |     |
| 6    | 27461B-119N | ADAPTER - HOSE            |          |     |
| 7    | 27237-3     | TOOL - CREVICE            |          |     |
| 8    | 61037       | COMBINATION TOOL - PACKAG |          |     |
| 9    | 58236A      | PAPER BAG PKG ASSY (STYLE |          |     |