

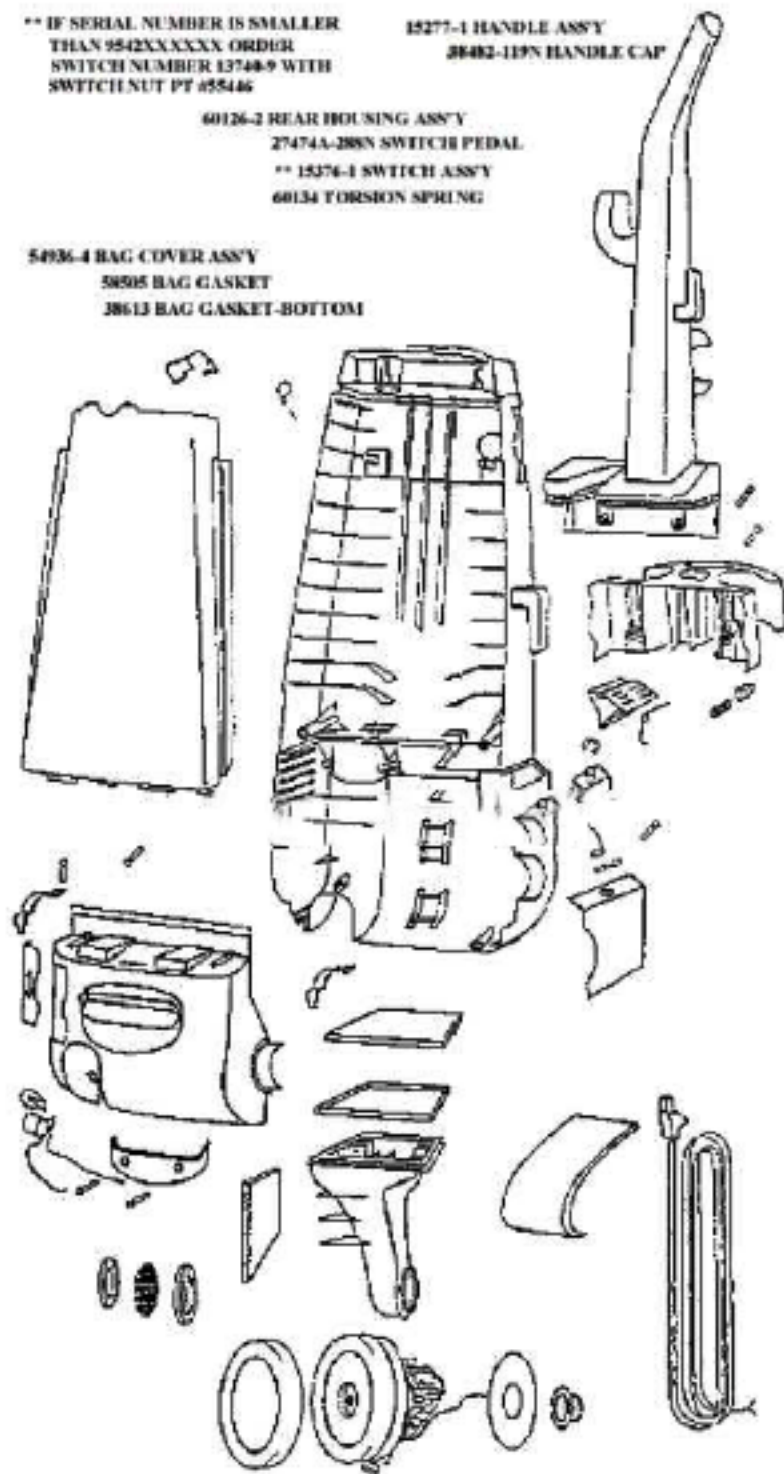
** IF SERIAL NUMBER IS SMALLER
THAN 9542XXXXXX ORDER
SWITCH NUMBER 13744-9 WITH
SWITCH NUT PT 455446

15277-1 HANDLE ASSY
38482-119N HANDLE CAP

60126-2 REAR HOUSING ASS'Y
27474A-288N SWITCH PEDAL

** 15376-1 SWITCH ASSY
60134 FORSDEN SPRING

54936-4 BAG COVER ASS'Y
58505 BAG GASKET
38613 BAG GASKET-BOTTOM



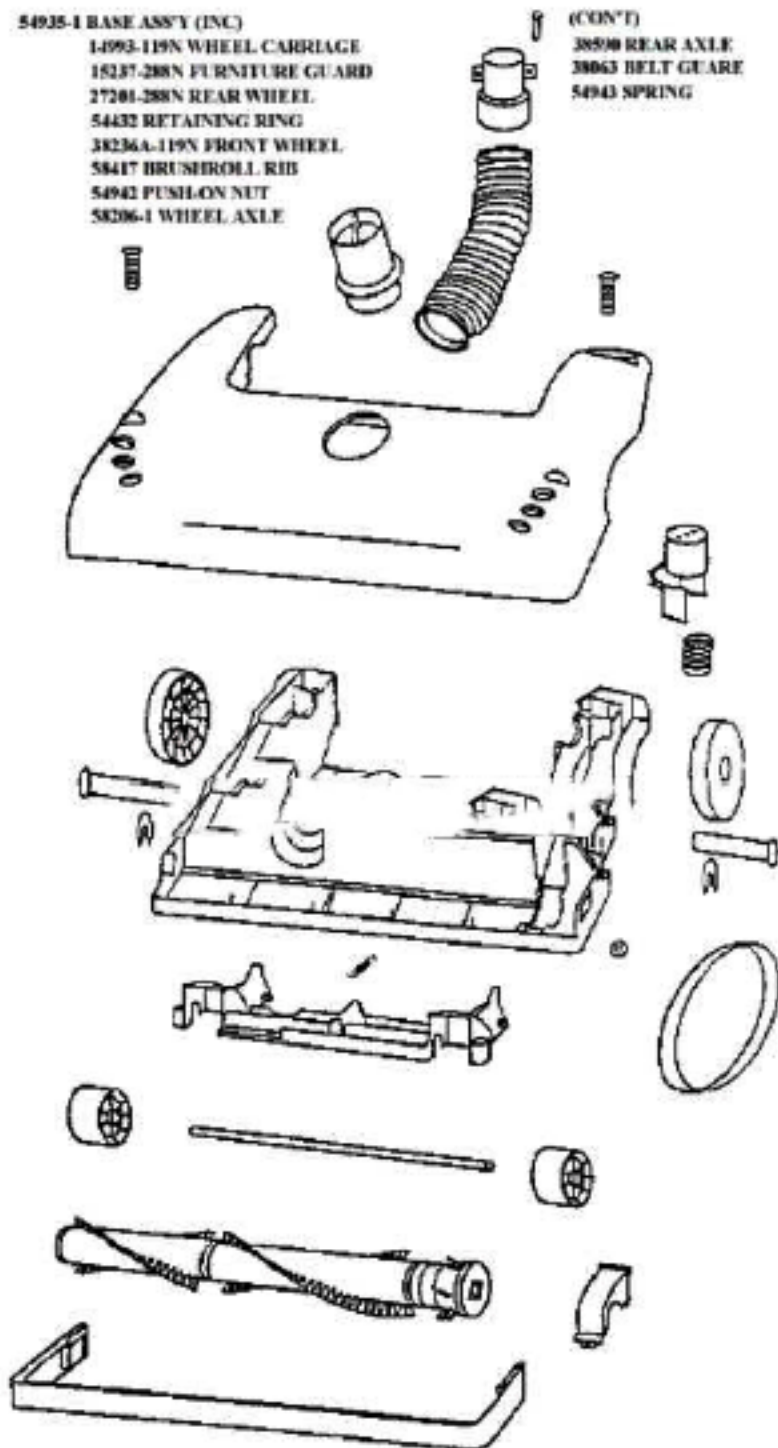
Ref#	Part	Description	Comments	Qty
1	02093-288N	CADDY - TOOL		
2	15277-1	HANDLE & CAP ASSEMBLY		
3	15376-1	SWITCH ASSEMBLY		
4	27474A-288N	SWITCH - BUTTON		
5	27492	MOTOR GASKET		
6	38420-2	CLAMP		
7	38489	FILTER - PRE-MOTOR		
8	38482-119N	CAP - HANDLE		
9	38613	GASKET		
10	38614	EXHAUST - FILTER		
11	38638	MOTOR INTAKE FLANGE		
12	38661	FOAM - SOUND		
13	38663	GASKET - MOTOR INTAKE		
14	38678-119N	PLUNGER		
15	38680-1	SUPPLY CORD & TERMINAL AS		
16	38688	MOTOR SHIELD		
17	38689	SHIELD - REAR HOUSING		
18	46713-1	TIE - CABLE		
19	53190-1	BUSHING - STRAIN RELIEF-P		
20	53197-1	SCREW PACKAGE		
21	53214-2	WIRE SPLICE 5		
22	54936-4	BAG COVER ASSY - PACKAGED		
23	55794	SPRING		
24	58505	GASKET - BAG COVER		
25	60066	MOTOR ASSY - CTND		
26	60067-1	MOTOR COVER - PKGD		
27	60126-2	REAR HOUSING - PACKAGED		
28	60134	TORS SPRING PKG		
29	60165	RETAINING RING PKG		

54935-1 BASE ASSY (INC)

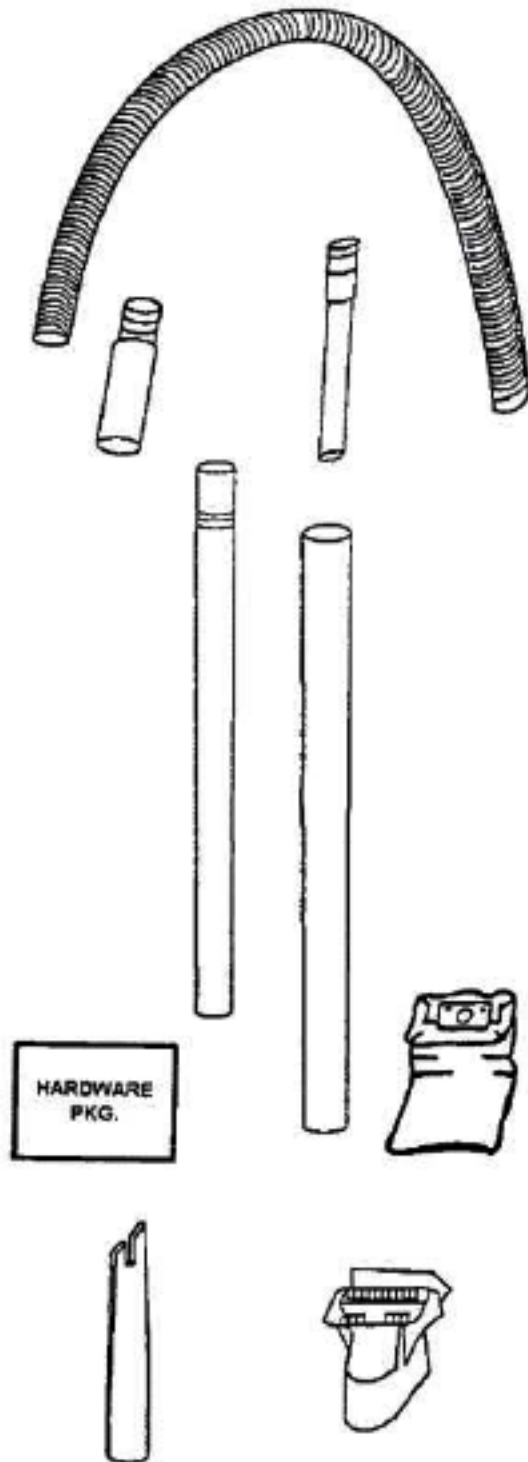
14993-119N WHEEL CARTRIDGE
 15237-288N FURNITURE GUARD
 27201-288N REAR WHEEL
 54432 RETAINING RING
 38236A-119N FRONT WHEEL
 58417 BRUSHROLL RIB
 54942 PUSHON NUT
 58206-1 WHEEL AXLE

(CONT)

38590 REAR AXLE
 38063 BELT GUARD
 54943 SPRING



Ref#	Part	Description	Comments	Qty
1	14993-119N	CARRIAGE - WHEEL		
2	15237-288N	GUARD - FURNITURE (12")		
3	27201-288N	WHEEL - REAR		
4	27462-288N	OPERATOR - HEIGHT ADJUSTM		
5	27467-288N	RELEASE - HANDLE		
6	27468A-119N	CUFF - HOSE		
7	38083	GUARD - BELT		
8	38236A-119N	WHEEL - FRONT		
9	38479-1	HOSE - COMPRESSION (PURCH		
10	38590	AXLE - REAR		
11	53197-1	SCREW PACKAGE		
12	54312	BELT PACKAGE ASSEMBLY (U)		
13	54376-1	BELT CAP & GASKET - PACKA		
14	54432	PACKAGE - RETAINING RING		
15	54669-2	SCREW PACKAGE		
16	54933-1	HOOD ASSEMBLY - PACKAGED		
17	54935-1	BASE ASSEMBLY - CARTONED		
18	54941-1	12" DISTURBULATOR ASSY -		
19	54942	PUSH-ON NUT - PACKAGED		
20	54943	SPRING PACKAGE		
21	57569	GASKET - FELT		
22	58206-1	AXLE - WHEEL		
23	58371	COMPRESSION SPRING - PACK		
24	58417	PACKAGE OF BRUSH ROLL RIB		
	58506-1	GASKET		



Ref#	Part	Description	Comments	Qty
1	27461B-119N	ADAPTER - HOSE		
2	54780	TOOL - CREVICE		
3	54784	COMBINATION TOOL - PACKAG		
4	54945A-1	HOSE ASSEMBLY - CARTONED		
5	58236	PAPER BAG PKG ASSY (STYLE		
6	58607	SCREW PACKAGE		
7	58728A	NESTING WAND ASSEMBLY		