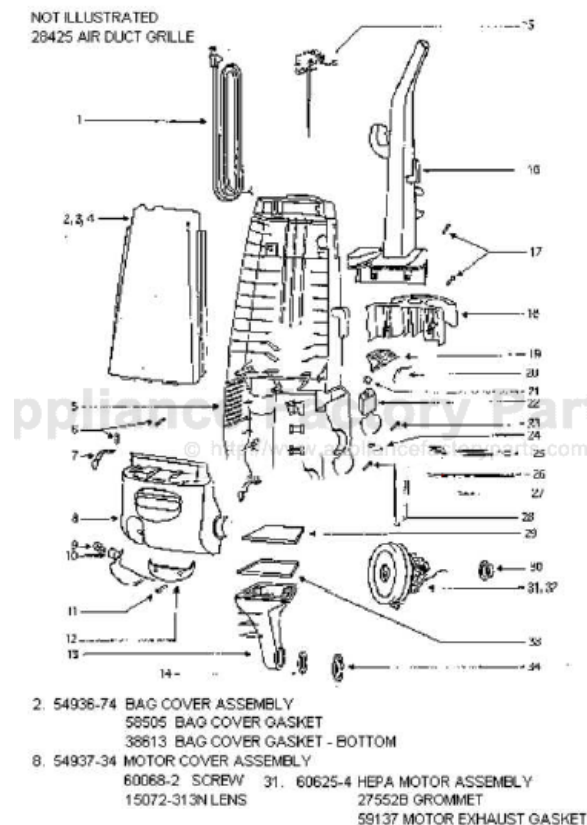


Eureka 4377ATV Owner's Manual

[Shop genuine replacement parts for Eureka 4377ATV](#)



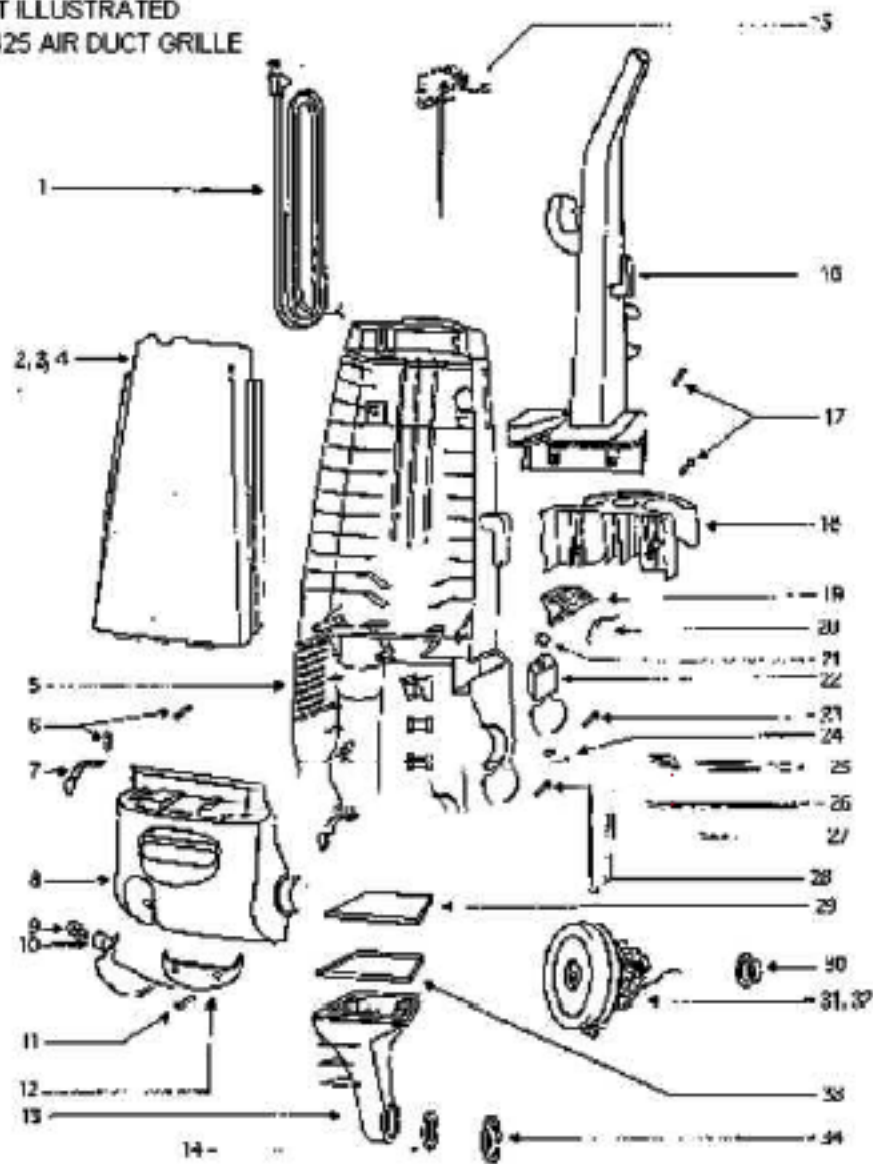
[Find Your Eureka Vacuum Cleaner Parts - Select From 855 Models](#)

----- Manual continues below part list -----

Available Replacement Parts for Eureka 4377ATV

ER-1035	Belt for Eureka Bravo 28118
ER-1875	EUREKA HF9 HEPA FILTER

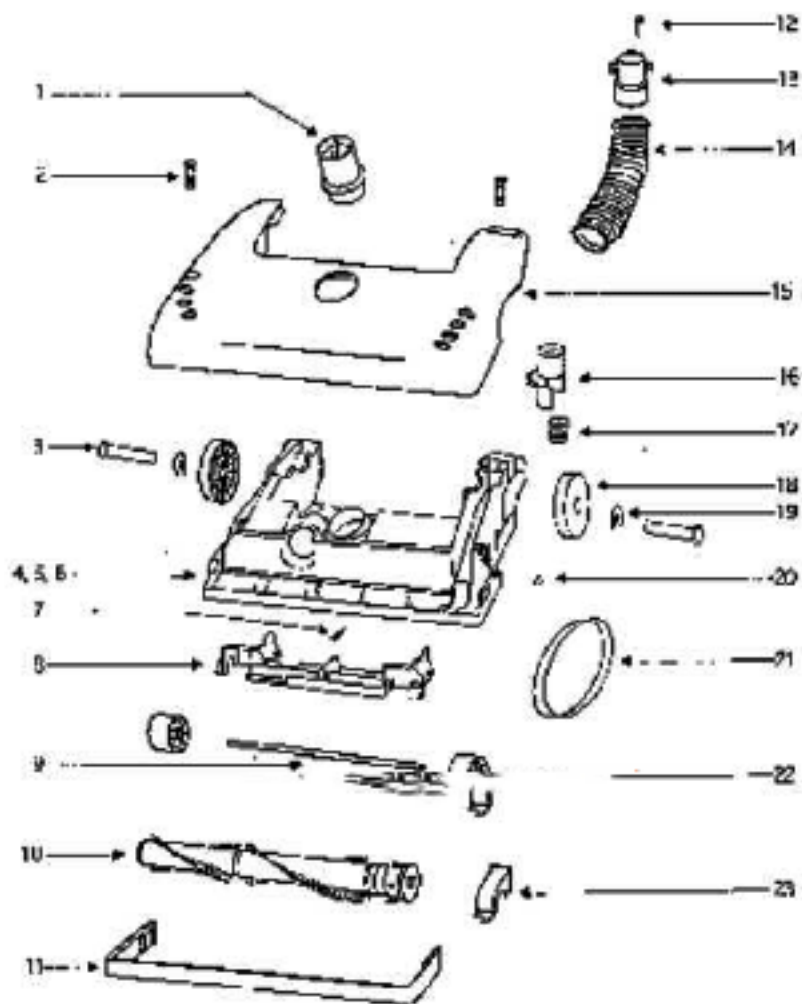
NOT ILLUSTRATED
28425 AIR DUCT GRILLE



2. 54936-74 BAG COVER ASSEMBLY
58505 BAG COVER GASKET
38613 BAG COVER GASKET - BOTTOM
8. 54937-34 MOTOR COVER ASSEMBLY
60068-2 SCREW 31. 60625-4 HEPA MOTOR ASSEMBLY
15072-313N LENS 27552B GROMMET
59137 MOTOR EXHAUST GASKET

PARTS2 - 4377ATV

Ref #	Part	Description	Comments	Qty
1	15072-313N	LENS - MOTOR COVER		
2	15408B-119N	DUCT - AIR		
3	15443A-119N	TOOL CADDY		
4	27171A	GASKET		
5	27474C-288N	SWITCH - BUTTON		
6	27552B	GROMMET		
7	28304A	SWITCH - PUSHBUTTON		
8	28425	GRILLE - AIR DUCT		
9	38420-2	CLAMP		
10	38611-1	HEADLAMP SCKT & TERMINAL		
11	38613	GASKET		
12	38680-17	SUPPLY CORD & TERMINAL AS		
13	39023	FLANGE - MOTOR INTAKE		
14	39252-2	THERMOSTAT & TERMINAL ASS		
15	39334	FILTER - PRE-MOTOR		
16	48815	LAMP - HEADLIGHT		
17	53197-1	SCREW PACKAGE		
18	54936-74	BAG COVER ASSY - PACKAGED		
19	54937-34	MOTOR COVER ASSY W/O LENS		
20	58505	GASKET - BAG COVER		
21	59137	GASKET - MOTOR EXHAUST		
22	58297SV	GASKET - AIR DUCT		
23	59361A	ADAPTER - TUBE		
24	59362B	TUBE		
25	60068-2	SCREW PACKAGE		
26	60134	TORS SPRING PKG		
27	60192-1	WIRE SPLICE 5		
28	60285B	HEPA FILTER PACKAGE		
29	60625-4	HEPA MOTOR & SHROUD ASSY		
30	60703-2	REAR HOUSING - PKGD		
31	70521	RETAINING RING PKG		



4. 60843-6 BASE ASSEMBLY

27462C-288N HEIGHT ADJUSTMENT KNOB

38590A REAR AXLE

54943 SPRING

14993B-119N WHEEL CARRIAGE

58206-1 WHEEL AXLE

15237-268N FURNITURE GUARD

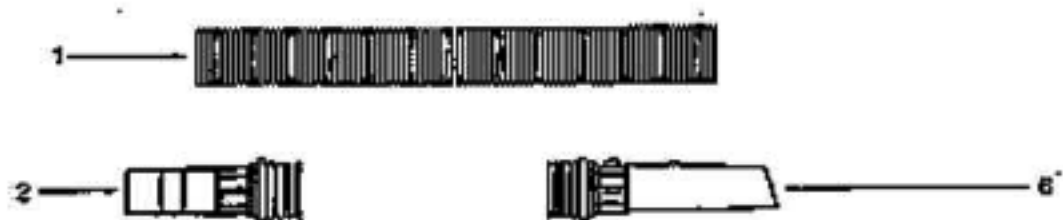
39260A-288N REAR WHEEL

54432 RETAINING RING

39173-119N FRONT WHEEL

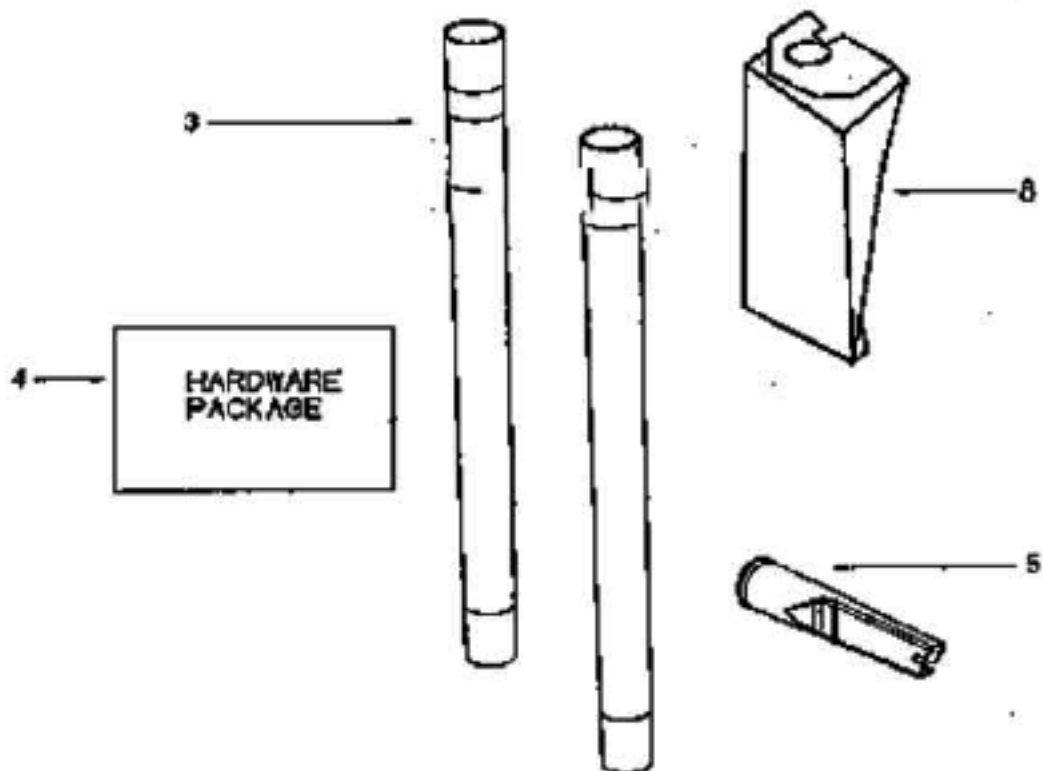
PARTS1 - 4377ATV

Ref #	Part	Description	Comments	Qty
1	14993B-119N	CARRIAGE - WHEEL		
2	15237-288N	GUARD - FURNITURE (12")		
3	27462C-288N	OPERATOR - HEIGHT ADJUSTM		
4	27467A-288N	RELEASE - HANDLE		
5	27468D-119N	CUFF - HOSE		
6	38479-4	HOSE - COMPRESSION (PURCH		
7	38590A	AXLE - REAR		
8	39173-119N	WHEEL - FRONT		
9	38260A-288N	WHEEL/BUSHING PACKAGE		
10	53197-1	SCREW PACKAGE		
11	54312A	BELT PACKAGE ASSEMBLY (U)		
12	54376-2	BELT CAP & GASKET - PACKA		
13	54432	PACKAGE - RETAINING RING		
14	54669-4	SCREW PACKAGE		
15	54933-46	HOOD ASSEMBLY - PACKAGED		
16	54943	SPRING PACKAGE		
17	58206-1	AXLE - WHEEL		
18	60133	COMPRESSION SPRING - PACK		
19	60251-2	12" DISTURBULATOR ASSY -		
20	60613	PUSH ON NUT PKG		
21	60843-6	BASE ASSEMBLY - CARTONED		



1. 61028-1 HOSE ASSEMBLY
 276461B-119N HOSE ADAPTER
 37057A-3 HOSE COUPLING

NOT ILLUSTRATED
 70262A OWNERS GUIDE
 70643 DRY CARPET CLEANER



ACCESSORIES - 4377ATV

Ref #	Part	Description	Comments	Qty
1	26708-119N	TOOL - CREVICE		
2	27461B-119N	ADAPTER - HOSE		
3	37057A-3	COUPLING - HOSE		
4	58607	SCREW PACKAGE		
5	58623A	PAPER BAG PKG FA (STYLE A		
6	58728B	NESTING WAND ASSEMBLY		
7	61028-1	HOSE ASSEMBLY - CARTONED		
8	61037	COMBINATION TOOL - PACKAG		
9	70262A	OWNER'S GUIDE		
10	70643	DRY CLEANER (8 OZ.)		