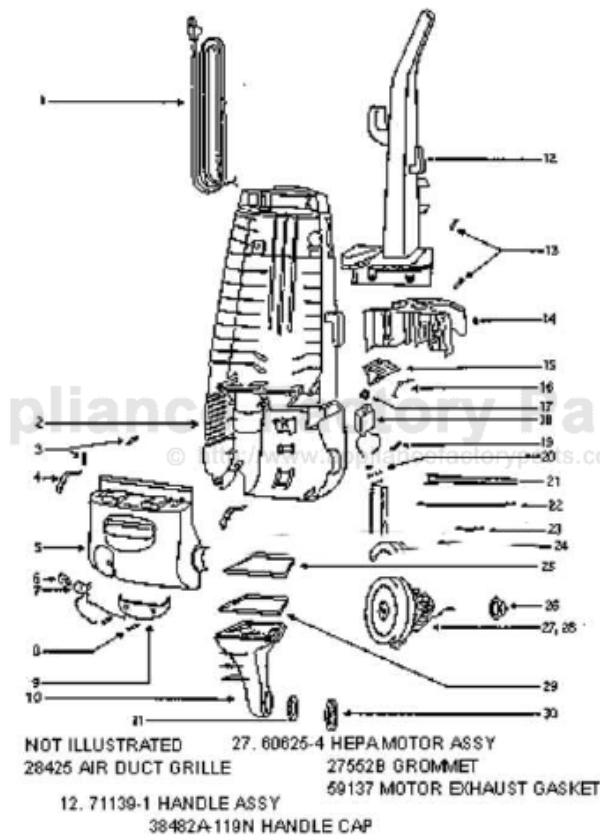


This Owner's Manual is provided and hosted by [Appliance Factory Parts](#).



Eureka 4386AT Owner's Manual

[Shop genuine replacement parts for Eureka 4386AT](#)

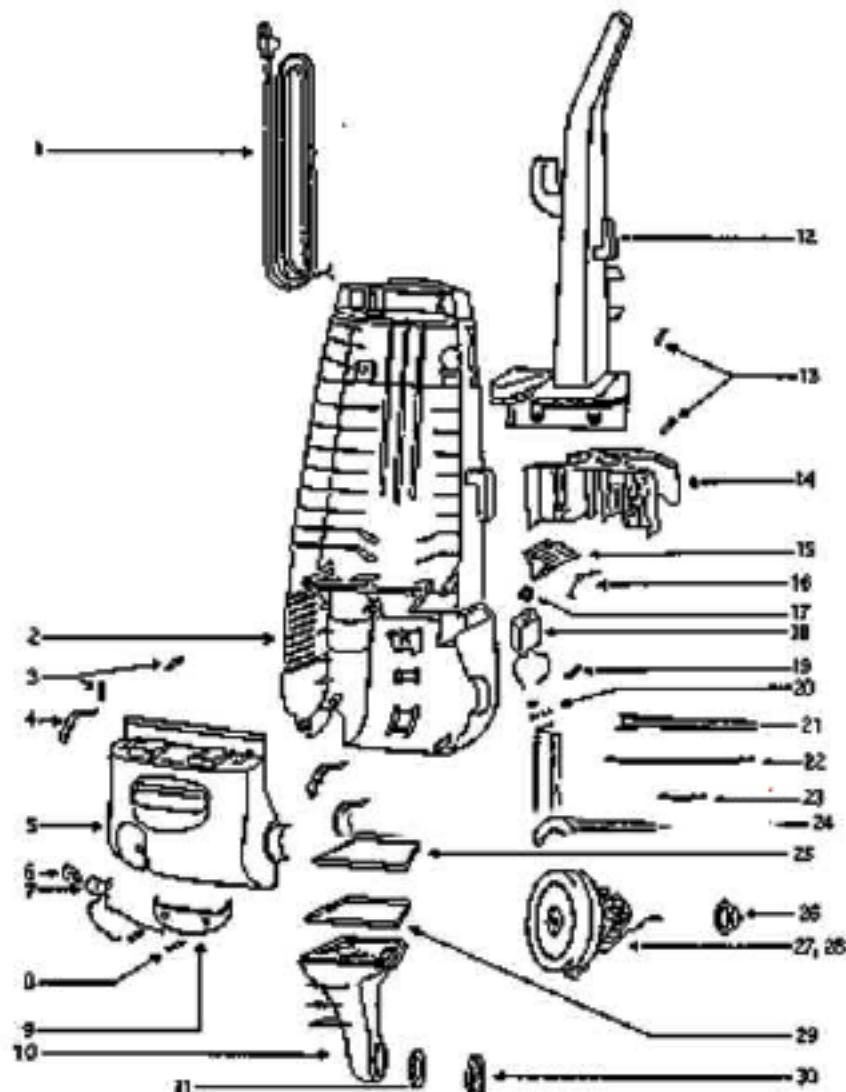


[Find Your Eureka Vacuum Cleaner Parts - Select From 855 Models](#)

----- Manual continues below part list -----

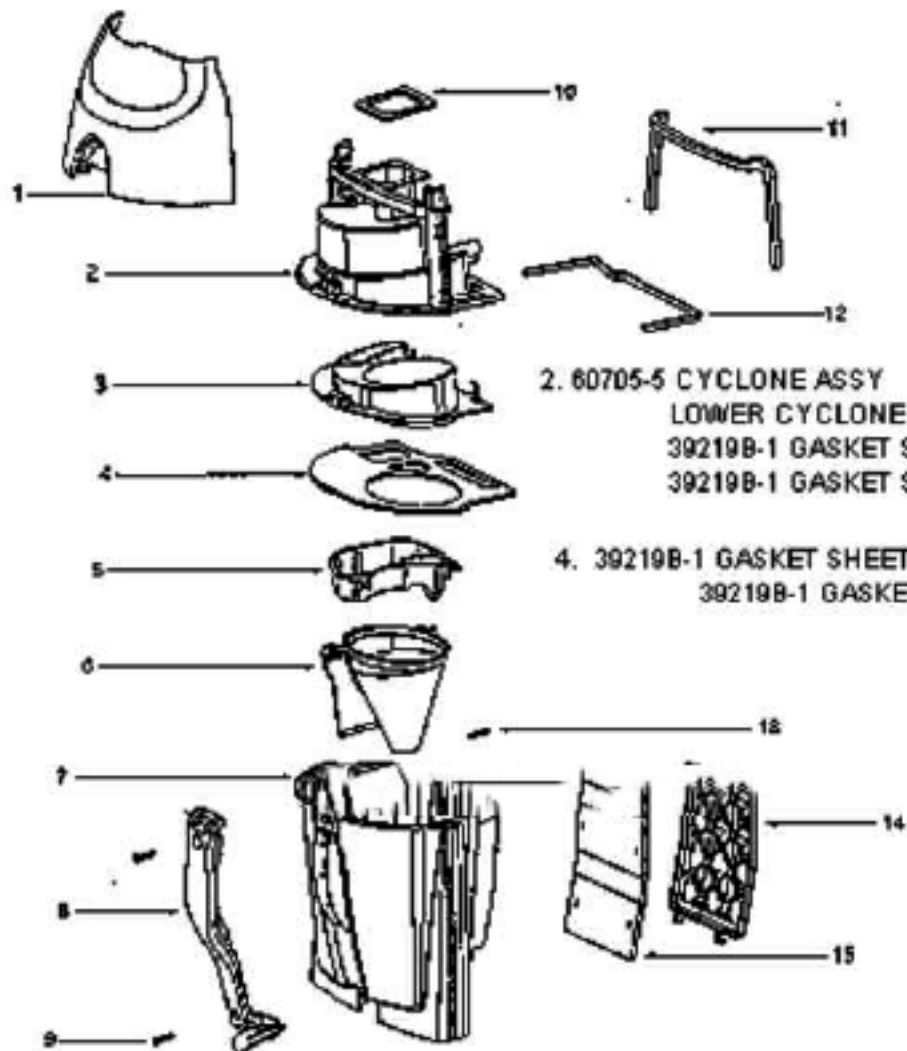
Available Replacement Parts for Eureka 4386AT

ER-1875	EUREKA HF9 HEPA FILTER
E-60844-5	BRUSH ROLL, 12 INCH UPRIGHT



NOT ILLUSTRATED 27. 60625-4 HEPA MOTOR ASSY
 28425 AIR DUCT GRILLE 27552B GROMMET
 12. 71139-1 HANDLE ASSY 59137 MOTOR EXHAUST GASKET
 38482A-119N HANDLE CAP

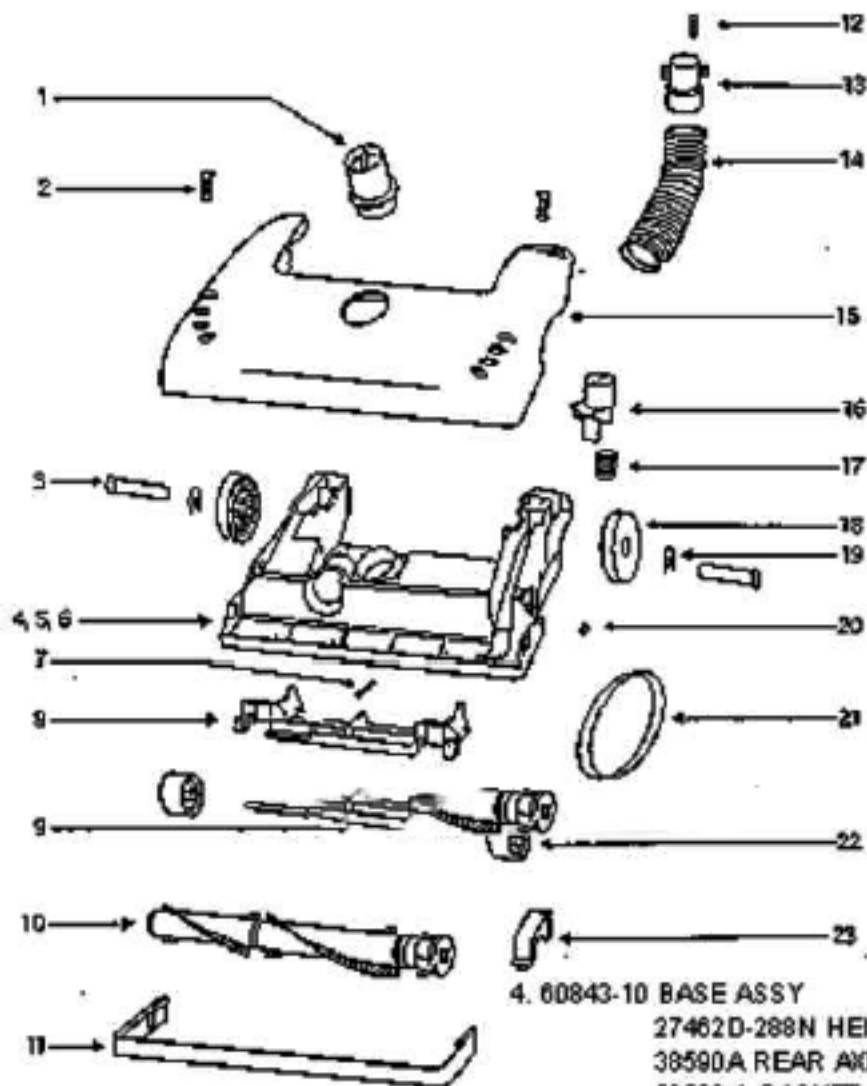
Ref #	Part	Description	Comments	Qty
1	15408B-119N	DUCT - AIR		
2	15443B-119N	TOOL CADDY		
3	27171A	GASKET		
4	27474C-288N	SWITCH - BUTTON		
5	27552B	GROMMET		
6	28304A	SWITCH - PUSHBUTTON		
7	28425	GRILLE - AIR DUCT		
8	38420-2	CLAMP		
9	38482A-119N	CAP - HANDLE		
10	38680-16	SUPPLY CORD & TERMINAL AS		
11	39023	FLANGE - MOTOR INTAKE		
12	39252-2	THERMOSTAT & TERMINAL ASS		
13	53197-1	SCREW PACKAGE		
14	59137	GASKET - MOTOR EXHAUST		
15	59297SV	GASKET - AIR DUCT		
16	59361A	ADAPTER - TUBE		
17	59362B	TUBE		
18	60134	TORS SPRING PKG		
19	60192-1	WIRE SPLICE 5		
20	60625-4	HEPA MOTOR & SHROUD ASSY		
21	60703-3	REAR HOUSING - PKGD		
22	60788-7	MOTOR COVER ASSEMBLY - PK		
23	61333	MOTOR FILTER PACKAGE		
24	61500	HEPA FILTER PKG - STYLE H		
25	70521	RETAINING RING PKG		
26	71139-1	HANDLE & CAP ASSEMBLY		



2. 60705-5 CYCLONE ASSY
 LOWER CYCLONE W/ #2 ONLY
 39219B-1 GASKET SHEET
 39219B-1 GASKET SHEET

4. 39219B-1 GASKET SHEET
 39219B-1 GASKET SHEET

Ref #	Part	Description	Comments	Qty
1	28099B-333N	FILTER - SCREEN		
2	28114-119N	FRAME - FILTER		
3	28131-288N	GRIP - DIRT CUP		
4	39219B-1	CYCLONE GASKET SHEET		
5	53197-1	SCREW PACKAGE		
6	59297-2SV	GASKET - AIR DUCT		
7	59595-1	GASKET - CYCLONE		
8	60696	FILTER PACKAGE		
9	60704-35	FRONT COVER ASSEMBLY - PK		
10	60705-5	UPPER CYCLONE ASSY - PKGD		
11	60706-1	CYCLONIC CASSETTE ASSY		
12	71568	FUNNEL & GASKET ASSEMBLY		



4. 60843-10 BASE ASSY

27462D-288N HEIGHT ADJ KNOB

38590A REAR AXLE

68508-1 GASKET

57569 FELT GASKET

54943 SPRING

14993C-119N WHEEL CARRIAGE

58206-1 WHEEL AXLE

15237-288N FURNITURE GUARD

39280A-288N REAR WHEEL

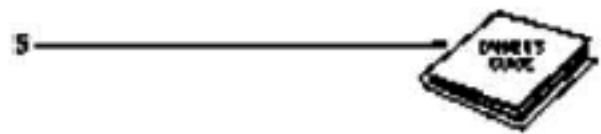
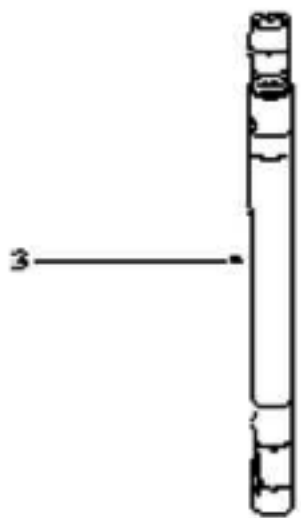
54432 RETAINING RING

39173A-119N FRONT WHEEL

Ref #	Part	Description	Comments	Qty
1	14993C-119N	CARRIAGE - WHEEL		
2	15237-288N	GUARD - FURNITURE (12")		
3	27462D-288N	OPERATOR - HEIGHT ADJUSTM		
4	27467A-288N	RELEASE - HANDLE		
5	27468D-119N	CUFF - HOSE		
6	38479-4	HOSE - COMPRESSION (PURCH		
7	38590A	AXLE - REAR		
8	39173A-119N	WHEEL - FRONT		
9	39260A-288N	WHEEL/BUSHING PACKAGE		
10	53197-1	SCREW PACKAGE		
11	54376-2	BELT CAP & GASKET - PACKA		
12	54432	PACKAGE - RETAINING RING		
13	54933-57	HOOD ASSEMBLY - PACKAGED		
14	54943	SPRING PACKAGE		
15	57569	GASKET - FELT		
16	58206-1	AXLE - WHEEL		
17	58506-1	GASKET		
18	60133	COMPRESSION SPRING - PACK		
19	60251-3	12" DISTURBULATOR ASSY -		
20	60613	PUSH ON NUT PKG		
21	60843-10	BASE ASSEMBLY - CARTONED		
22	61120	BELT PKG ASSY-STYLE U EXT		



- 2. 61028-1 HOSE ASSY
- 37057A-3 HOSE COUPLING
- 27461B-119N HOSE ADAPTER



Ref #	Part	Description	Comments	Qty
1	26708-119N	TOOL - CREVICE		
2	27461B-119N	ADAPTER - HOSE		
3	37057A-3	COUPLING - HOSE		
4	58607	SCREW PACKAGE		
5	58728B	NESTING WAND ASSEMBLY		
6	61028-1	HOSE ASSEMBLY - CARTONED		
7	61037	COMBINATION TOOL - PACKAG		
8	70239B	OWNERS GUIDE		