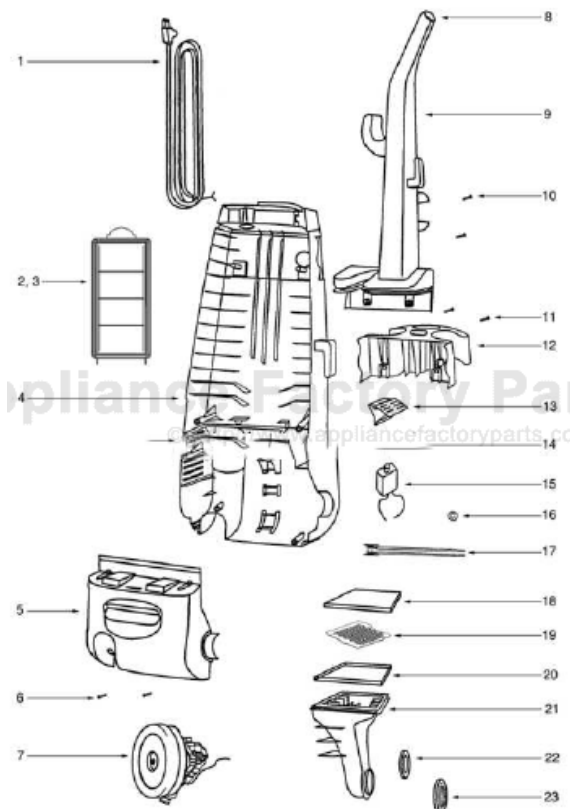


This Owner's Manual is provided and hosted by Appliance Factory Parts.



Eureka 4388AT Owner's Manual

[Shop genuine replacement parts for Eureka 4388AT](#)

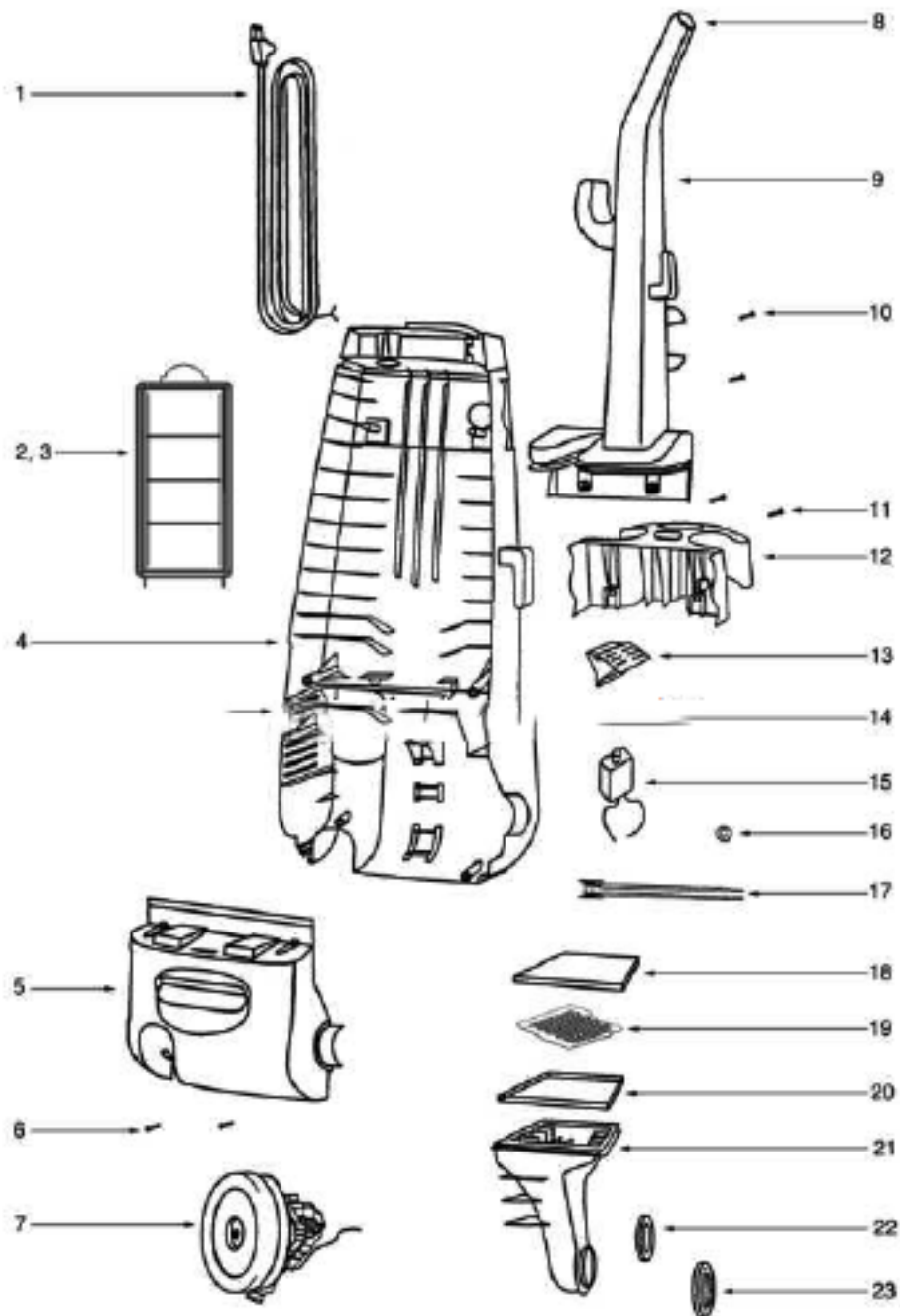


[Find Your Eureka Vacuum Cleaner Parts - Select From 855 Models](#)

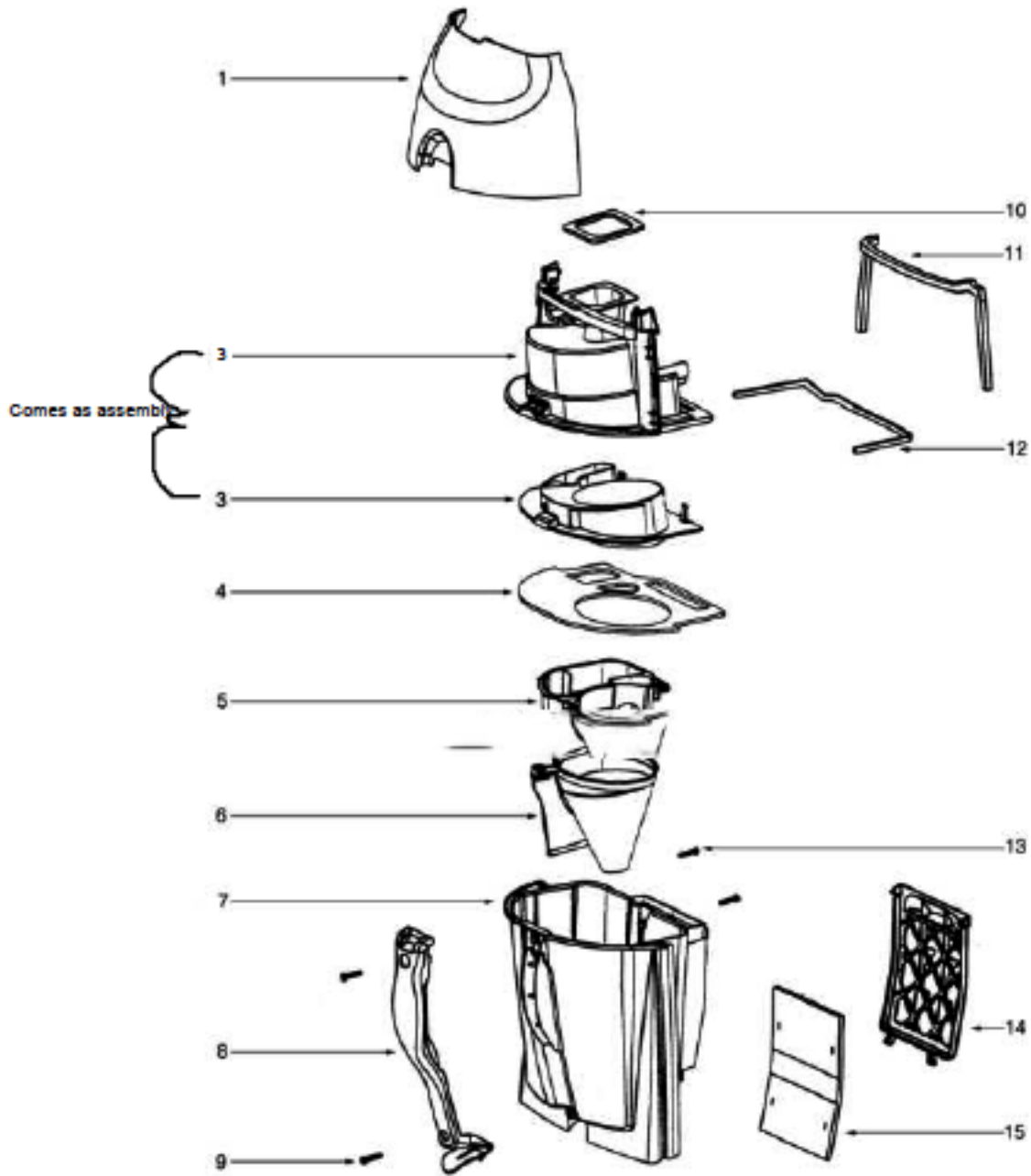
----- Manual continues below part list -----

Available Replacement Parts for Eureka 4388AT

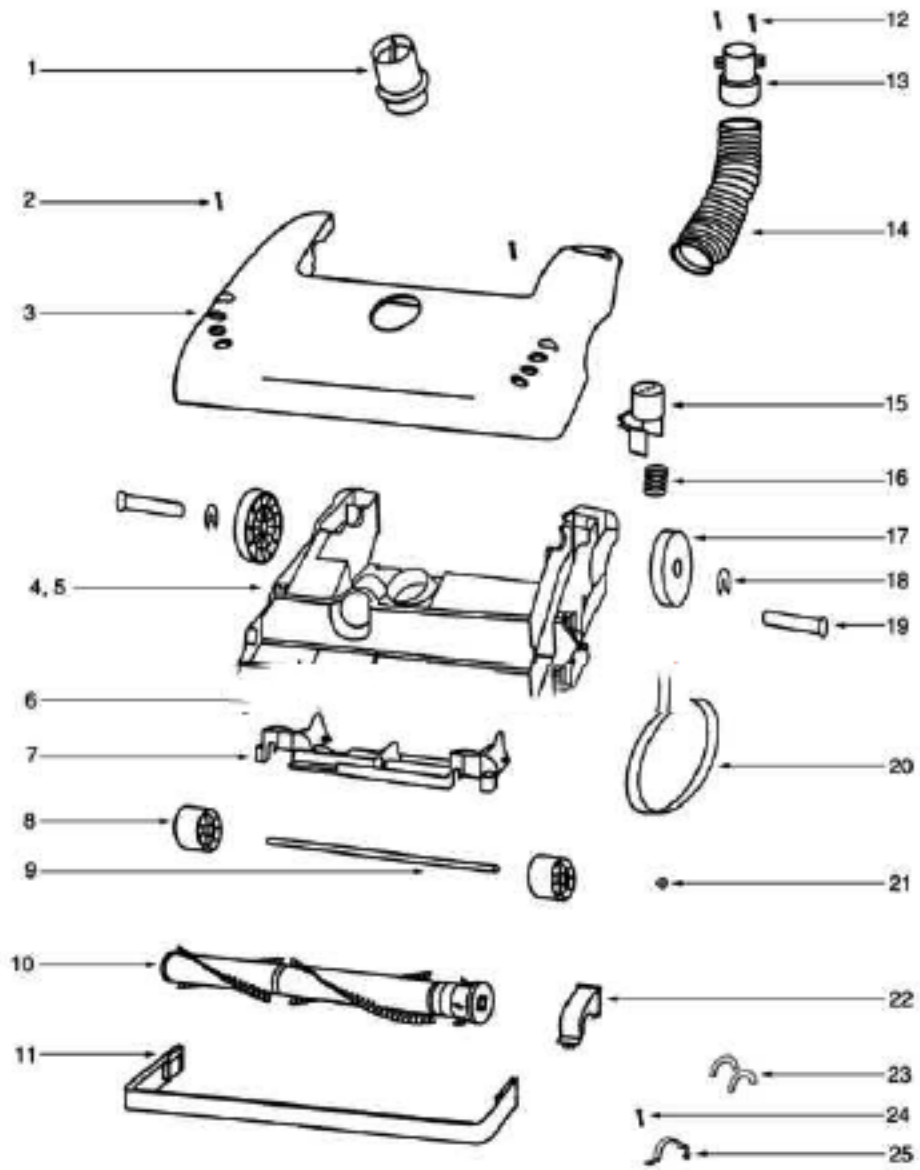
ER-1875	EUREKA HF9 HEPA FILTER
E-60844-5	BRUSH ROLL, 12 INCH UPRIGHT



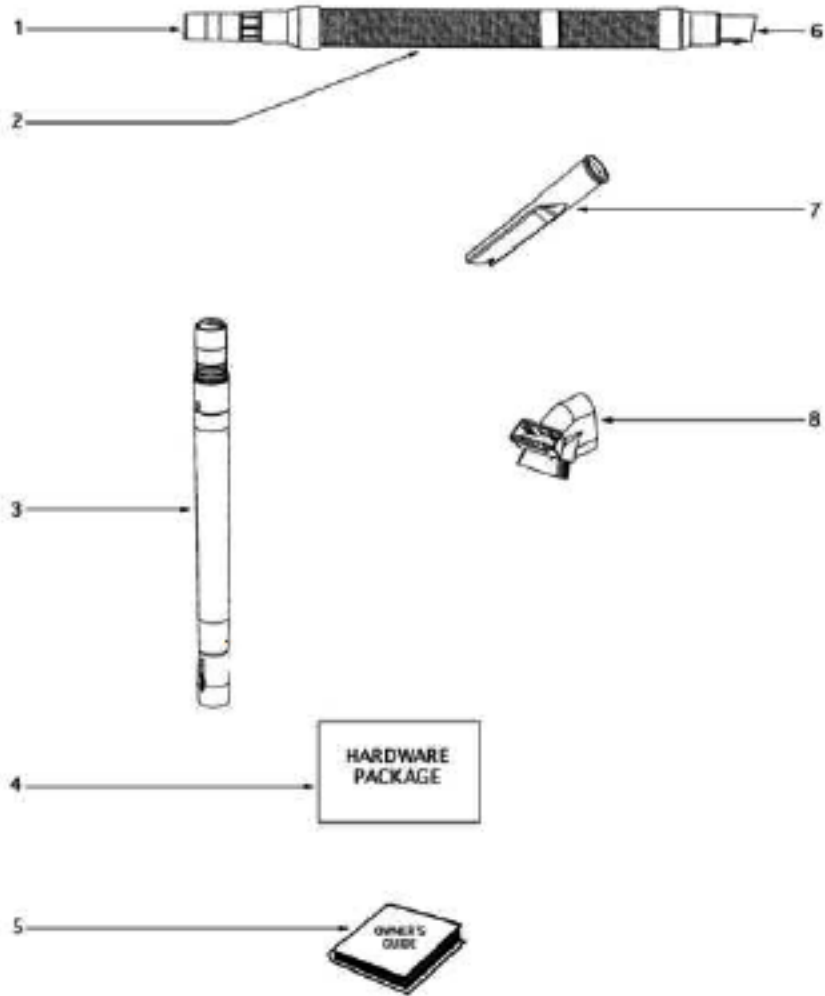
Ref#	Part	Description	Comments	Qty
1	38680-16	SUPPLY CORD & TERMINAL AS		
2	28456-6	FILTER FRAME & GRAPHICS A		
3	61500	HEPA FILTER PKG - STYLE H		
4	71608A-119N	HOUSING - REAR		
5	60788-21	MOTOR COVER ASSEMBLY - PK		
6	53197-1	SCREW PACKAGE		
7	60261-11	MOTOR ASSEMBLY - PACKAGED		
8	38482A-119N	CAP - HANDLE		
9	71139-1	HANDLE & CAP ASSEMBLY		
10	54669-4	SCREW PACKAGE		
11	53197-4	SCREW PACKAGE		
12	15443B-119N	TOOL CADDY		
13	27474C-288N	SWITCH - BUTTON		
14	60134	TORS SPRING PKG		
15	28304A	SWITCH - PUSHBUTTON		
16	60165-1	RETAINING RING PKG		
17	39252-2	THERMOSTAT & TERMINAL ASS		
18	61333	MOTOR FILTER PACKAGE		
19	28425	GRILLE - AIR DUCT		
20	59297SV	GASKET - AIR DUCT		
21	15536A-119N	AIR DUCT		
22	27171A	GASKET		
23	39023	FLANGE - MOTOR INTAKE		



Ref#	Part	Description	Comments	Qty
1	60704-38	FRONT COVER ASSEMBLY - PK		
3	60705-5	UPPER CYCLONE ASSY - PKGD		
4	39219B-1	CYCLONE GASKET SHEET		
5	28099B-333N	FILTER - SCREEN		
6	71568	FUNNEL & GASKET ASSEMBLY		
7	60706-1	CYCLONIC CASSETTE ASSY		
8	28131-288N	GRIP - DIRT CUP		
9	53197-1	SCREW PACKAGE		
12	59297-2SV	GASKET - AIR DUCT		
14	28114-119N	FRAME - FILTER		
15	60695	FILTER PACKAGE		
	59595-1	GASKET - CYCLONE		



Ref#	Part	Description	Comments	Qty
1	27462E-288N	OPERATOR - HEIGHT ADJUSTM		
2	53197-1	SCREW PACKAGE		
3	54933-64	HOOD ASSEMBLY - PACKAGED		
4	60843-10	BASE ASSEMBLY - CARTONED		
5	58506-1	GASKET		
6	54943	SPRING PACKAGE		
7	14993C-119N	CARRIAGE - WHEEL		
8	39173-119N	WHEEL - FRONT		
9	71551	AXLE - WHEEL		
10	60251-3	12" DISTURBULATOR ASSY -		
11	15237A-288N	GUARD - FURNITURE (12")		
12	27468D-119N	CUFF - HOSE		
13	38479-4	HOSE - COMPRESSION (PURCH		
14	27467A-288N	RELEASE - HANDLE		
15	60133	COMPRESSION SPRING - PACK		
16	38260B-288N	WHEEL/BUSHING PACKAGE		
17	54432	PACKAGE - RETAINING RING		
18	38590A	AXLE - REAR		
19	61120	BELT PKG ASSY-STYLE U EXT		
20	60613	PUSH ON NUT PKG		
21	54376-2	BELT CAP & GASKET - PACKA		
22	57569	GASKET - FELT		
23	38420-2	CLAMP		



Ref#	Part	Description	Comments	Qty
1	37057A-3	COUPLING - HOSE		
2	61028-1	HOSE ASSEMBLY - CARTONED		
3	58728B	NESTING WAND ASSEMBLY		
4	58607	SCREW PACKAGE		
5	70239B	OWNERS GUIDE		
6	27461B-119N	ADAPTER - HOSE		
7	26708-119N	TOOL - CREVICE		
8	61037	COMBINATION TOOL - PACKAG		