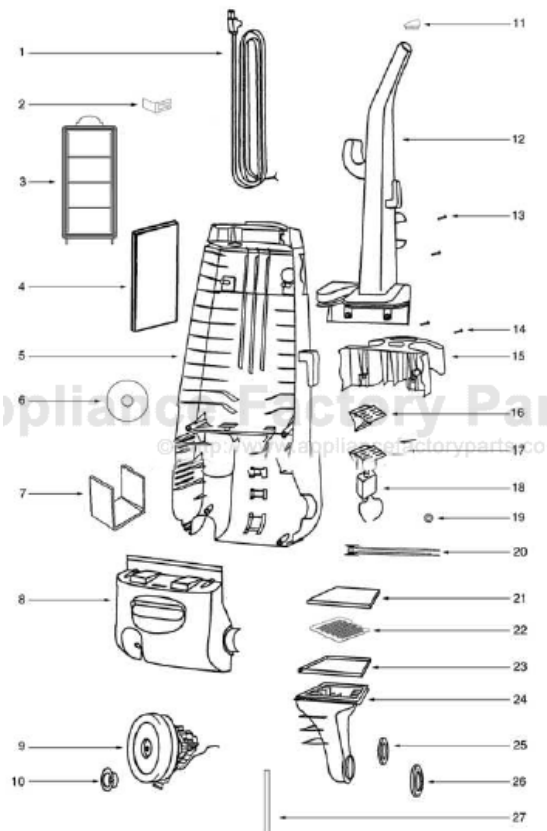


This Owner's Manual is provided and hosted by [Appliance Factory Parts](http://ApplianceFactoryParts.com).



Eureka 4390A Owner's Manual

[Shop genuine replacement parts for Eureka 4390A](#)

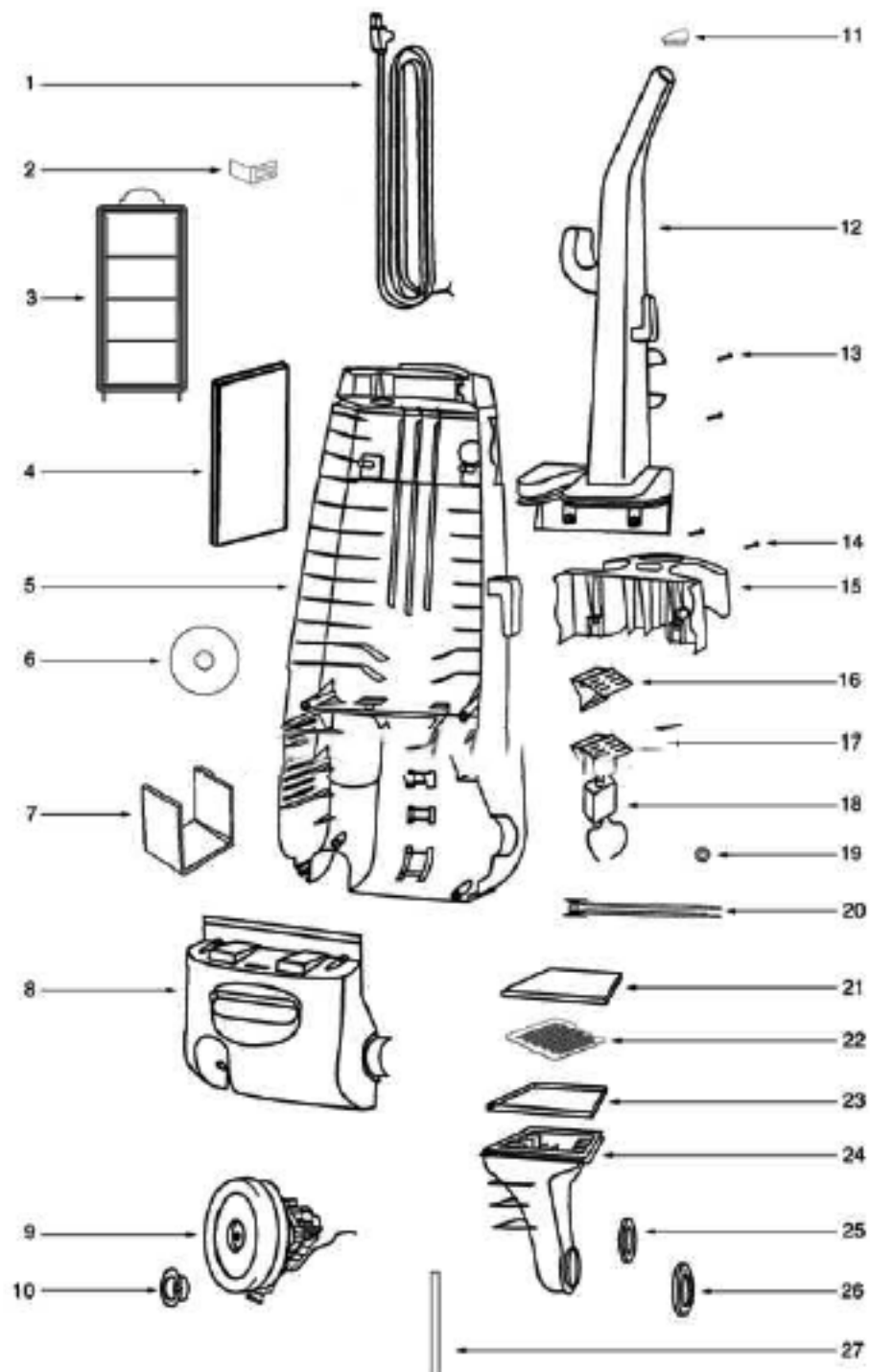


[Find Your Eureka Vacuum Cleaner Parts - Select From 855 Models](#)

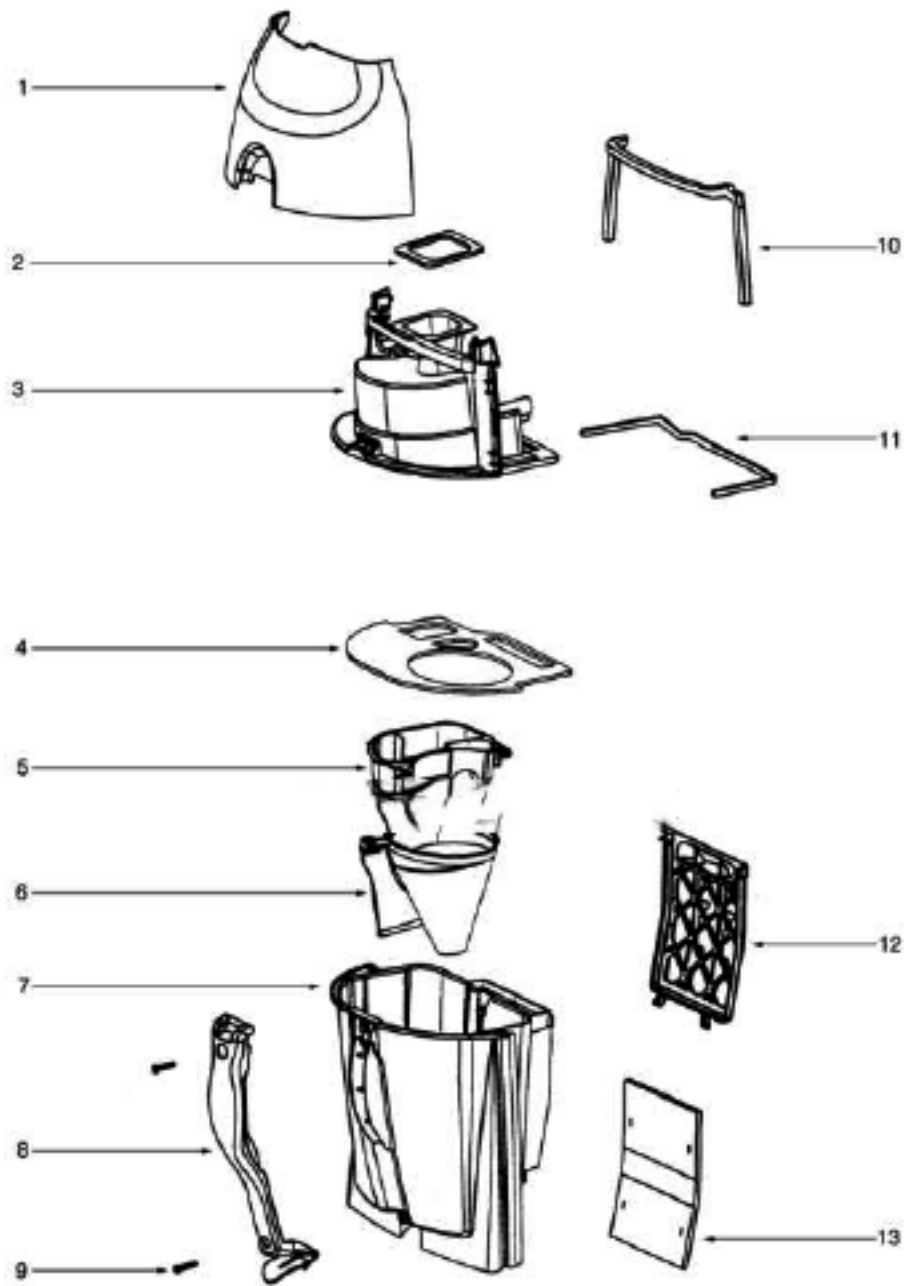
----- Manual continues below part list -----

Available Replacement Parts for Eureka 4390A

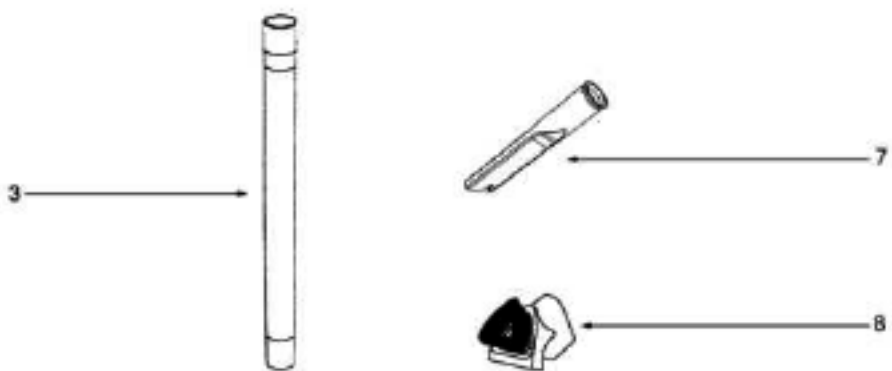
e-39266	BELT OEM EUREKA EXTENED LIFE 1 PACK
ER-1875	EUREKA HF9 HEPA FILTER



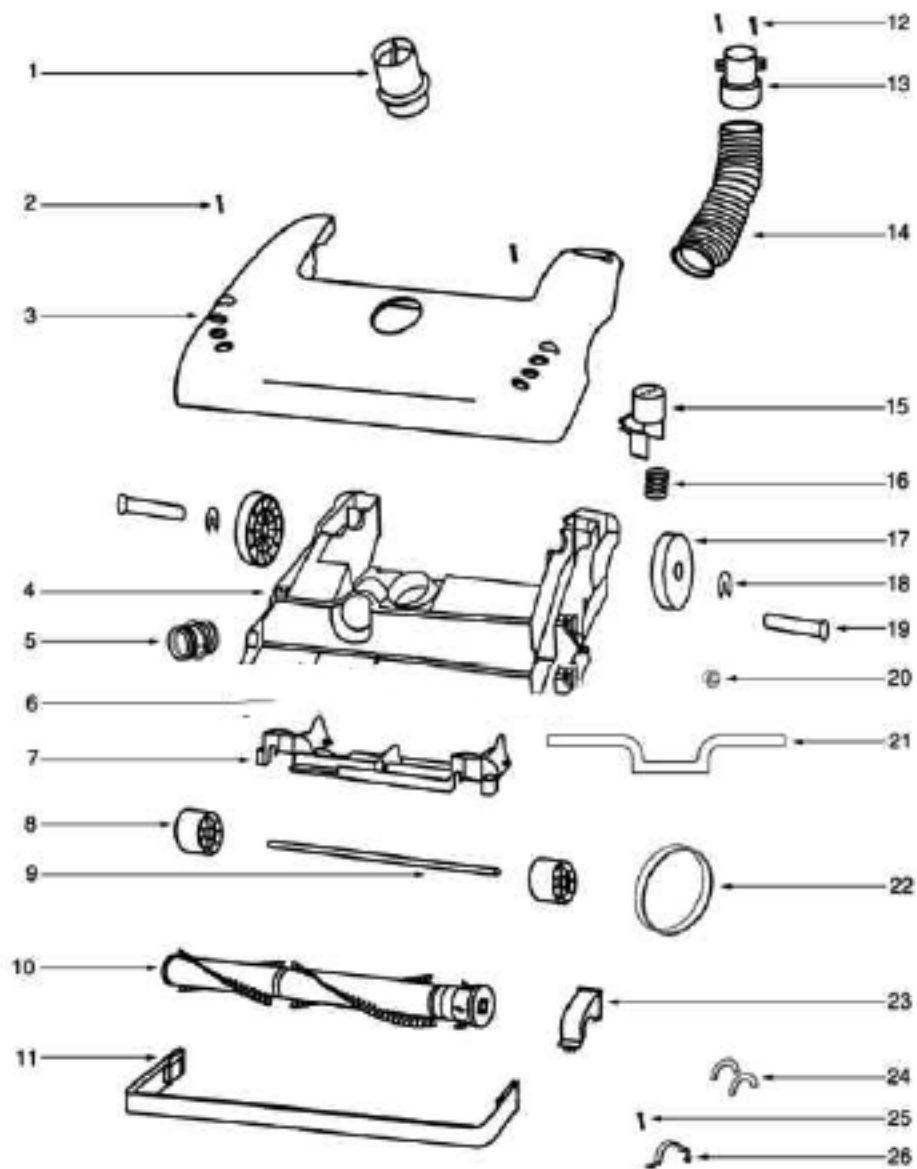
Ref#	Part	Description	Comments	Qty
1	39585-1	SUPPLY CORD & TERMINAL AS		
2	71645	SHIELD - SWITCH		
3	28457-8	FILTER FRAME & GRAPHICS A		
4	61500	HEPA FILTER PKG - STYLE H		
5	71608A-119N	HOUSING - REAR		
6	39688A	MOTOR SHIELD		
7	72224-1	FOAM - SOUND		
8	60788-7	MOTOR COVER ASSEMBLY - PK		
9	60261-11	MOTOR ASSEMBLY - PACKAGED		
10	27552B	GROMMET		
11	38482A-119N	CAP - HANDLE		
12	71139-1	HANDLE & CAP ASSEMBLY		
13	53238-44	SCREW PACKAGE		
14	53197-1	SCREW PACKAGE		
15	15443B-119N	TOOL CADDY		
16	27474C-288N	SWITCH - BUTTON		
17	60134	TOHS SPRING PKG		
18	28304A	SWITCH - PUSHBUTTON		
19	60165-1	RETAINING RING PKG		
20	39252-2	THERMOSTAT & TERMINAL ASS		
21	61333	MOTOR FILTER PACKAGE		
22	28425	GRILLE - AIR DUCT		
23	59297SV	GASKET - AIR DUCT		
24	15536A-119N	AIR DUCT		
25	27171A	GASKET		
26	39023	FLANGE - MOTOR INTAKE		
27	27962A	GASKET		



Ref#	Part	Description	Comments	Qty
1	60704-35	FRONT COVER ASSEMBLY - PK		
3	60705-5	UPPER CYCLONE ASSY - PKGD		
4	392198-1	CYCLONE GASKET SHEET		
5	280998-119N	FILTER - SCREEN		
6	71568-1	FUNNEL & GASKET ASSEMBLY		
7	60706-3	CYCLONIC CASSETTE ASSY		
8	28131-288N	GRIP - DIRT CUP		
9	53197-1	SCREW PACKAGE		
10	59595-1	GASKET - CYCLONE		
11	59297-2SV	GASKET - AIR DUCT		
12	28114-119N	FRAME - FILTER		
13	61940	FILTER PACKAGE		



Ref#	Part	Description	Comments	Qty
1	61028-1	HOSE ASSEMBLY - CARTONED		
2	37057A-3	COUPLING - HOSE		
3	13104-4	WAND - STRAIGHT		
4	59930B	PACKAGE - HARDWARE		
5	70239B	OWNERS GUIDE		
6	27461B-119N	ADAPTER - HOSE		
7	27237-3	TOOL - CREVICE		
8	61037	COMBINATION TOOL - PACKAG		
	59930A	PACKAGE - HARDWARE		



Ref#	Part	Description	Comments	Qty
1	27462E-288N	OPERATOR - HEIGHT ADJUSTM		
2	53238-44	SCREW PACKAGE		
3	54933-22	HOOD ASSEMBLY - PACKAGED		
4	60843-11	BASE ASSEMBLY - CARTONED		
5	28243A-316N	ADAPTER - BASE		
6	54943	SPRING PACKAGE		
7	14993C-119N	CARRIAGE - WHEEL		
8	39173A-119N	WHEEL - FRONT		
9	71551	AXLE - WHEEL		
10	60844-2	12" DISTURBULATOR ASSY -		
11	15237A-288N	GUARD - FURNITURE (12")		
13	27468D-119N	CUFF - HOSE		
14	38479-4	HOSE - COMPRESSION (PURCH		
15	27467A-288N	RELEASE - HANDLE		
16	60133	COMPRESSION SPRING - PACK		
17	72117-119N	WHEEL - REAR		
18	54432-1	PACKAGE - RETAINING RING		
19	38590A	AXLE - REAR		
20	72113-1	BUSHING - AXLE		
21	58506-1	GASKET		
22	61120A	BELT PKG ASSY-STYLE U EXT		
23	54376-2	BELT CAP & GASKET - PACKA		
24	57569	GASKET - FELT		
25	53197-1	SCREW PACKAGE		
26	38420-2	CLAMP		