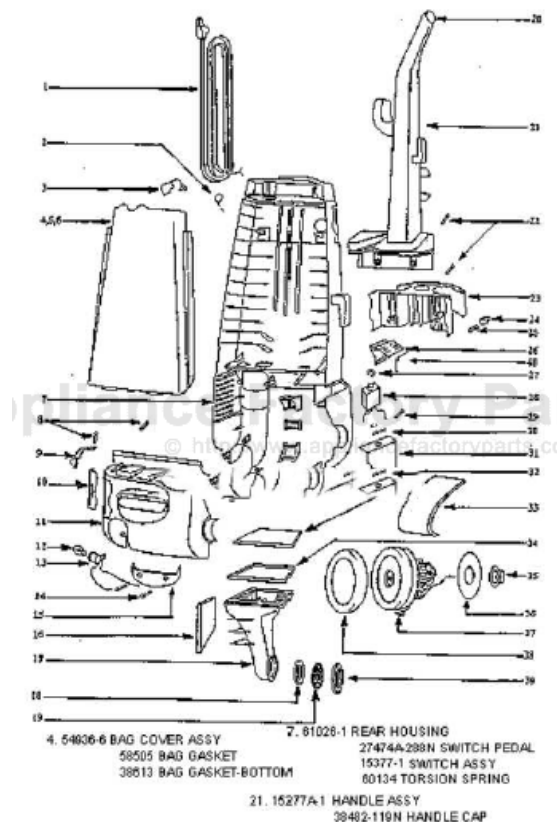


This Owner's Manual is provided and hosted by [Appliance Factory Parts](http://ApplianceFactoryParts.com).



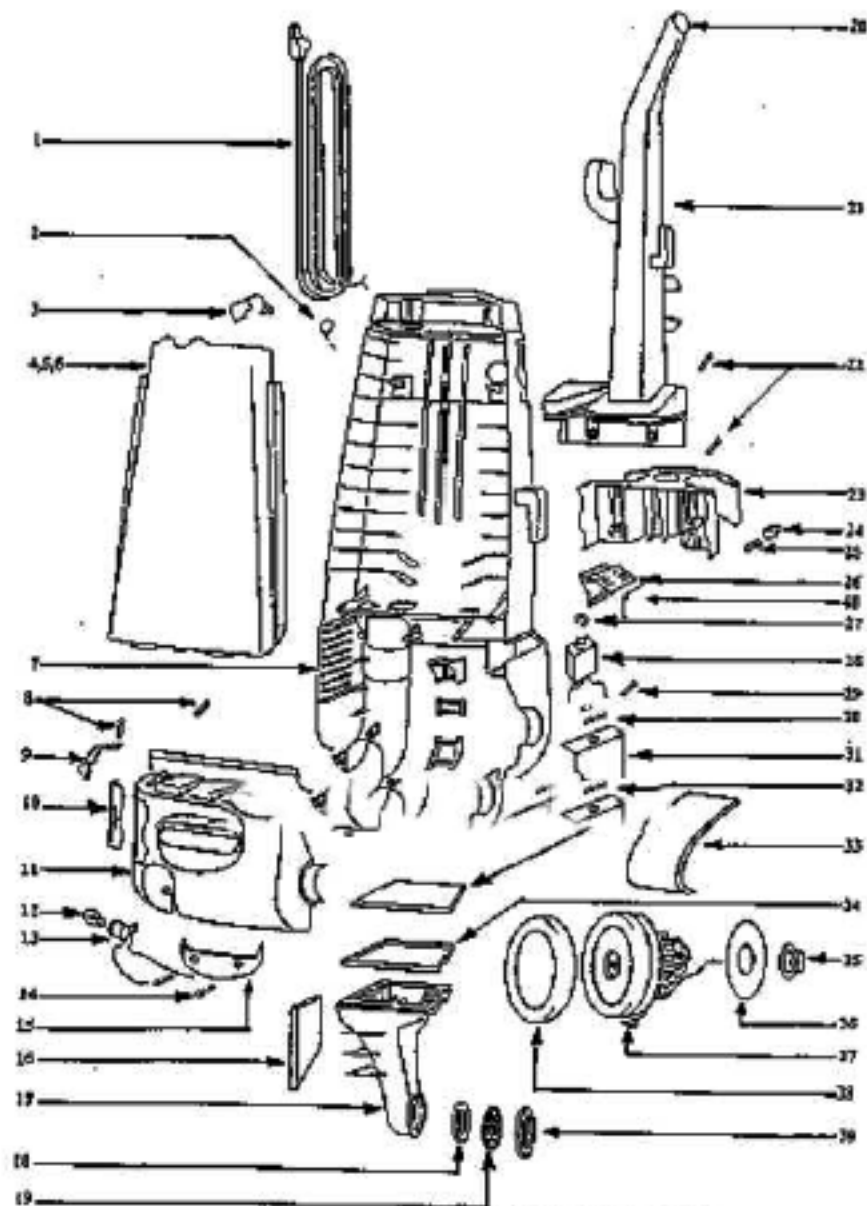
Eureka 4455AT Owner's Manual

[Shop genuine replacement parts for Eureka 4455AT](#)



[Find Your Eureka Vacuum Cleaner Parts - Select From 855 Models](#)

----- Manual continues below -----



4. 54036-6 BAG COVER ASSY

58505 BAG GASKET

38613 BAG GASKET-BOTTOM

7. 81028-1 REAR HOUSING

27474A-288N SWITCH PEDAL

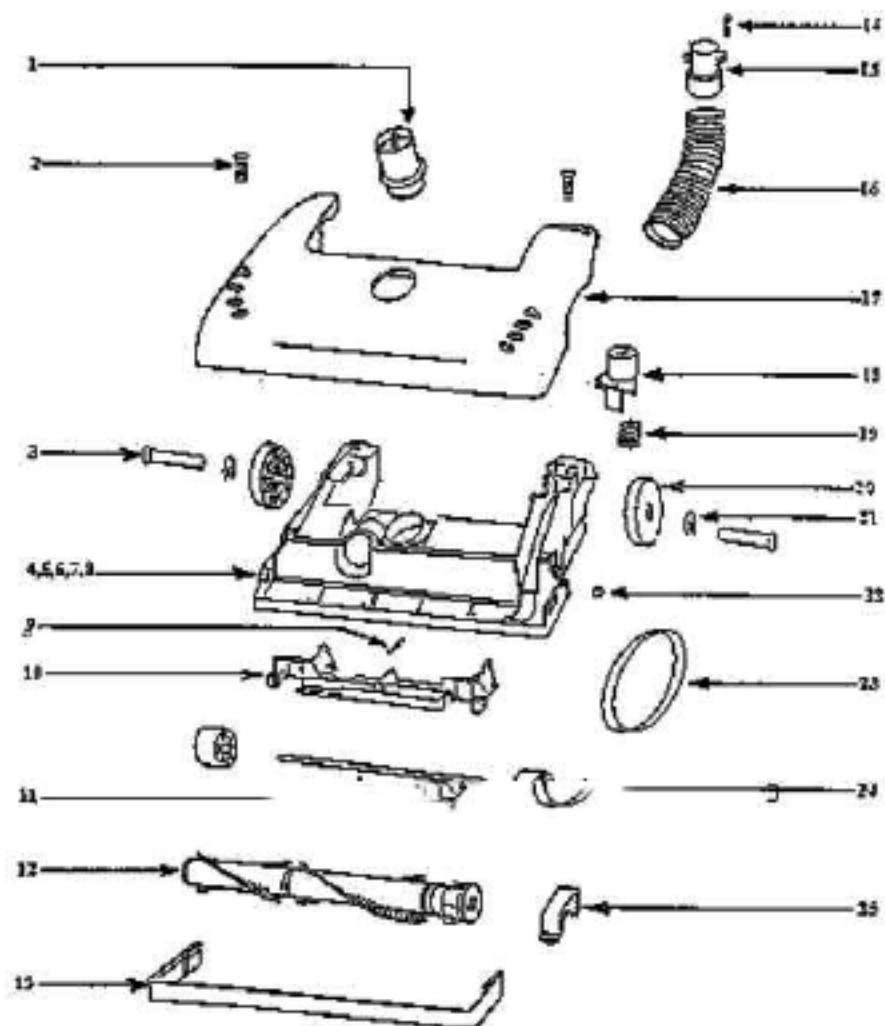
15377-1 SWITCH ASSY

60134 TORSION SPRING

21. 15277A-1 HANDLE ASSY

38482-119N HANDLE CAP

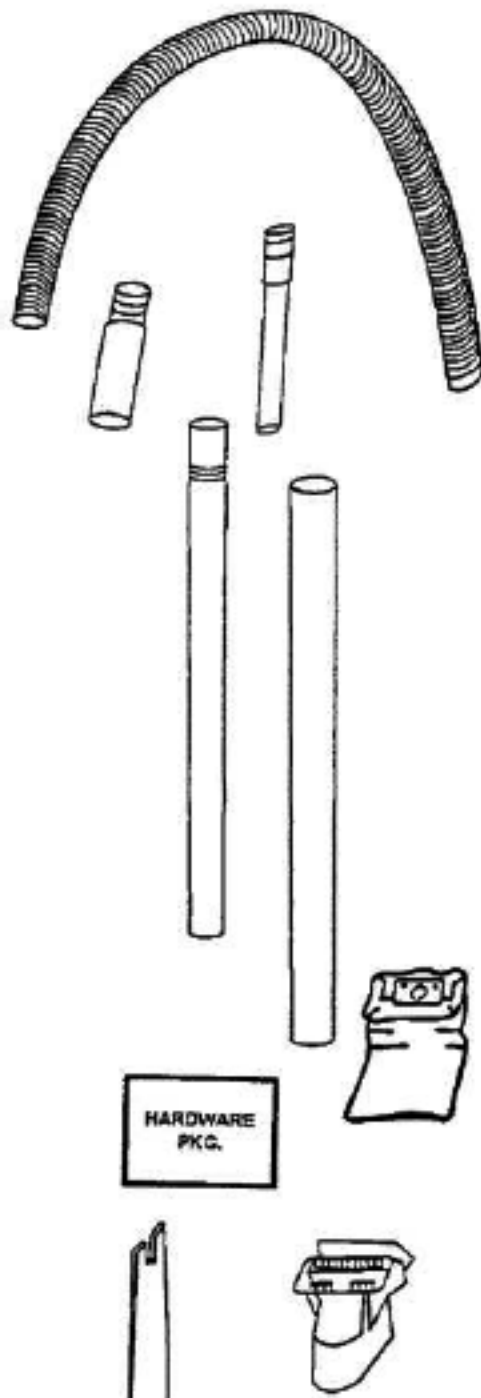
Ref#	Part	Description	Comments	Qty
1	02093-288N	CADDY - TOOL		
2	15072-313N	LENS - MOTOR COVER		
3	15277A-1	HANDLE & GRAPHICS ASSEMBL		
4	15377-1	SWITCH ASSEMBLY		
5	27474A-288N	SWITCH - BUTTON		
6	27492	MOTOR GASKET		
7	27549-288N	DOOR - FILTER		
8	38420-2	CLAMP		
9	38469	FILTER - PRE-MOTOR		
10	38482-119N	CAP - HANDLE		
11	38611	HEADLAMP SCKT & TERMINAL		
12	38613	GASKET		
13	38638	MOTOR INTAKE FLANGE		
14	38661	FOAM - SOUND		
15	38663	GASKET - MOTOR INTAKE		
16	38678-119N	PLUNGER		
17	38680-3	SUPPLY CORD & TERMINAL AS		
18	38688	MOTOR SHIELD		
19	38689	SHIELD - REAR HOUSING		
20	38755	FILTER-EXHAUST (HI EFFICI		
21	46713-1	TIE - CABLE		
22	48815	LAMP - HEADLIGHT		
23	53190-1	BUSHING - STRAIN RELIEF-P		
24	53197-1	SCREW PACKAGE		
	53197-2	SCREW PACKAGE		
26	53214-2	WIRE SPLICE 5		
27	54936-6	BAG COVER ASSY - PACKAGED		
28	54940	MOTOR ASSY - CARTONED		
29	55794	SPRING		
30	58505	GASKET - BAG COVER		
31	60126-1	REAR HOUSING - PACKAGED		
32	60134	TORS SPRING PKG		
33	60165	RETAINING RING PKG		



00071-1 BASE ASSY

27462A-288N HEIGHT ADJ KNOB
 38590 REAR AXLE
 38063 BELT GUARD
 58417 BRUSHROLL RIB
 54043 SPRING
 14003A-119N WHEEL CARRIAGE
 56206-1 WHEEL AXLE
 15234-288N FURNITURE GUARD
 27493-288N REAR WHEEL
 54432 RETAINING RING
 54042 PUSH-ON NUT
 38236A-119N FRONT WHEEL

Ref#	Part	Description	Comments	Qty
1	14993-119N	CARRIAGE - WHEEL		
2	14993A-119N	CARRIAGE - WHEEL		
3	15234-288N	GUARD - FURNITURE (14")		
4	27462-288N	OPERATOR - HEIGHT ADJUSTM		
5	27462A-288N	OPERATOR - HEIGHT ADJUSTM		
6	27467-288N	RELEASE - HANDLE		
7	27468A-119N	CUFF - HOSE		
8	27493-288N	WHEEL - REAR		
9	38063	GUARD - BELT		
10	38236A-119N	WHEEL - FRONT		
11	38479-1	HOSE - COMPRESSION (PURCH		
12	38590	AXLE - REAR		
13	53197-1	SCREW PACKAGE		
14	54312	BELT PACKAGE ASSEMBLY (U)		
15	54376-1	BELT CAP & GASKET - PACKA		
16	54432	PACKAGE - RETAINING RING		
17	54647	14" DISTURBULATOR ASSY -		
18	54669-2	SCREW PACKAGE		
19	54942	PUSH-ON NUT - PACKAGED		
20	54943	SPRING PACKAGE		
21	57569	GASKET - FELT		
22	58206-1	AXLE - WHEEL		
23	58371	COMPRESSION SPRING - PACK		
24	58417	PACKAGE OF BRUSH ROLL RIB		
25	58506-2	GASKET		
26	60069-4	HOOD ASSEMBLY - PACKAGED		
27	60071-1	BASE ASSY - PKGD		



Ref#	Part	Description	Comments	Qty
1	27461B-119N	ADAPTER - HOSE		
2	54780	TOOL - CREVICE		
3	54784	COMBINATION TOOL - PACKAG		
4	58236	PAPER BAG PKG ASSY (STYLE		
5	58607	SCREW PACKAGE		
6	58728A	NESTING WAND ASSEMBLY		
7	60072A-1	STRETCH HOSE - CARTONED		