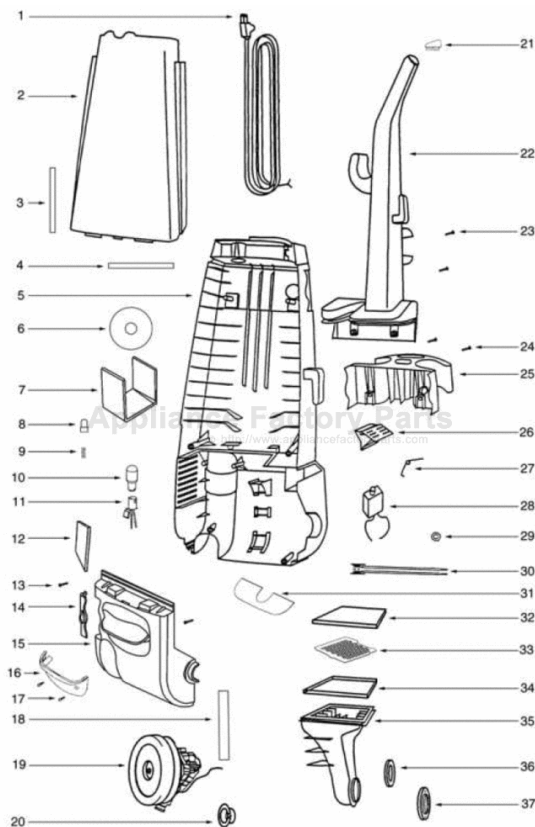


This Owner's Manual is provided and hosted by [Appliance Factory Parts](http://ApplianceFactoryParts.com).



Eureka 4463AV Owner's Manual

[Shop genuine replacement parts for Eureka 4463AV](#)



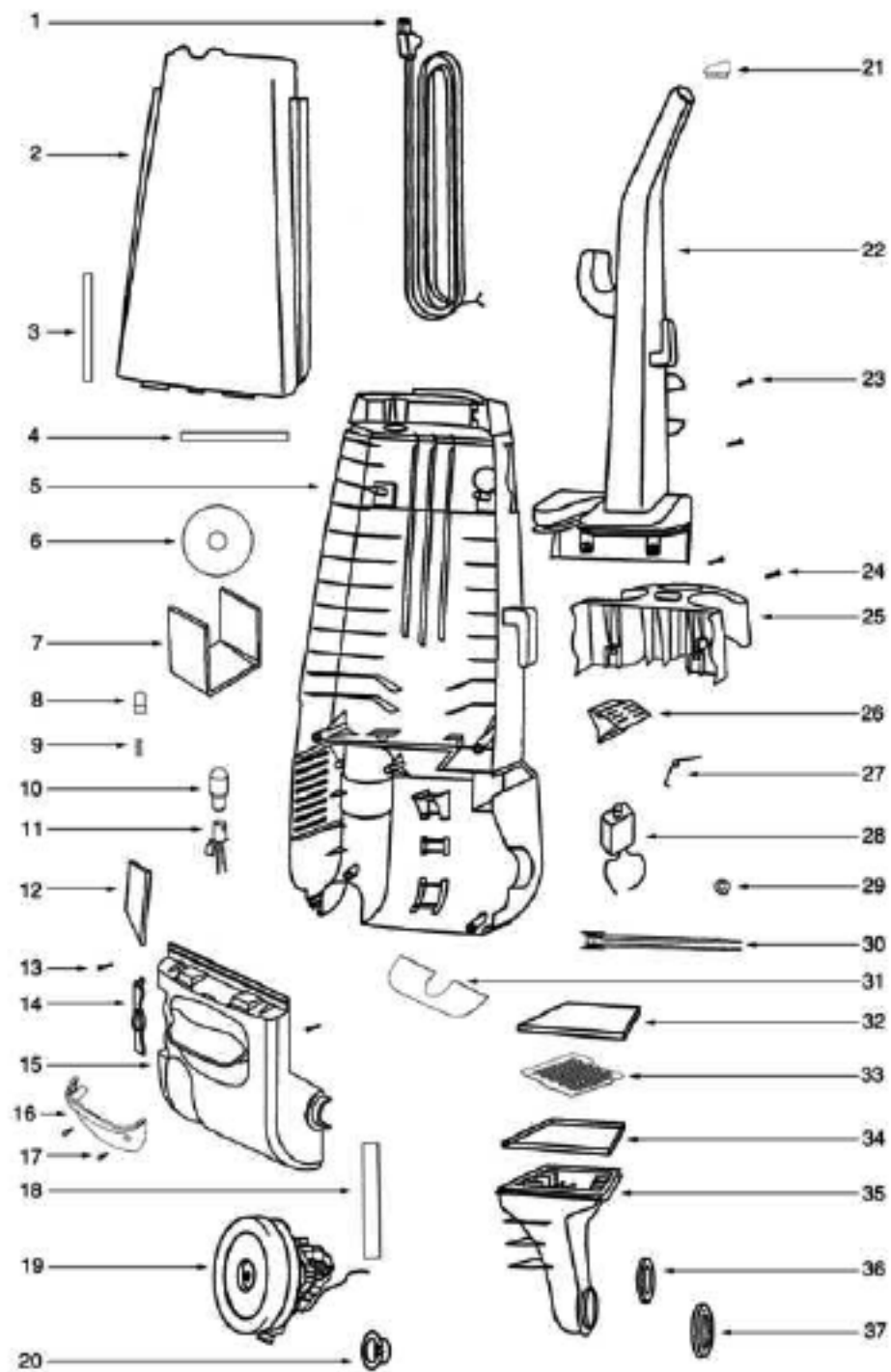
[Find Your Eureka Vacuum Cleaner Parts - Select From 855 Models](#)

----- Manual continues below part list -----

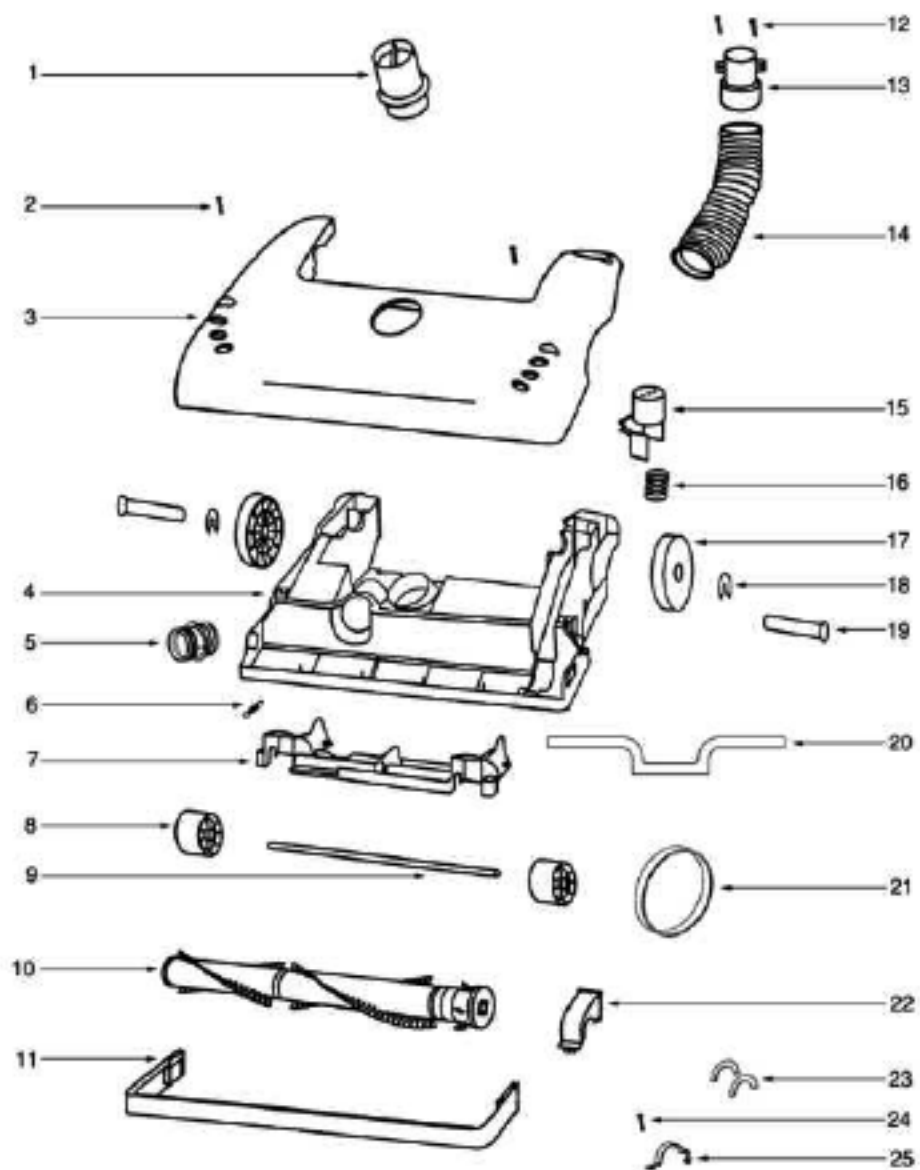
Available Replacement Parts for Eureka 4463AV

[e-39266](#)

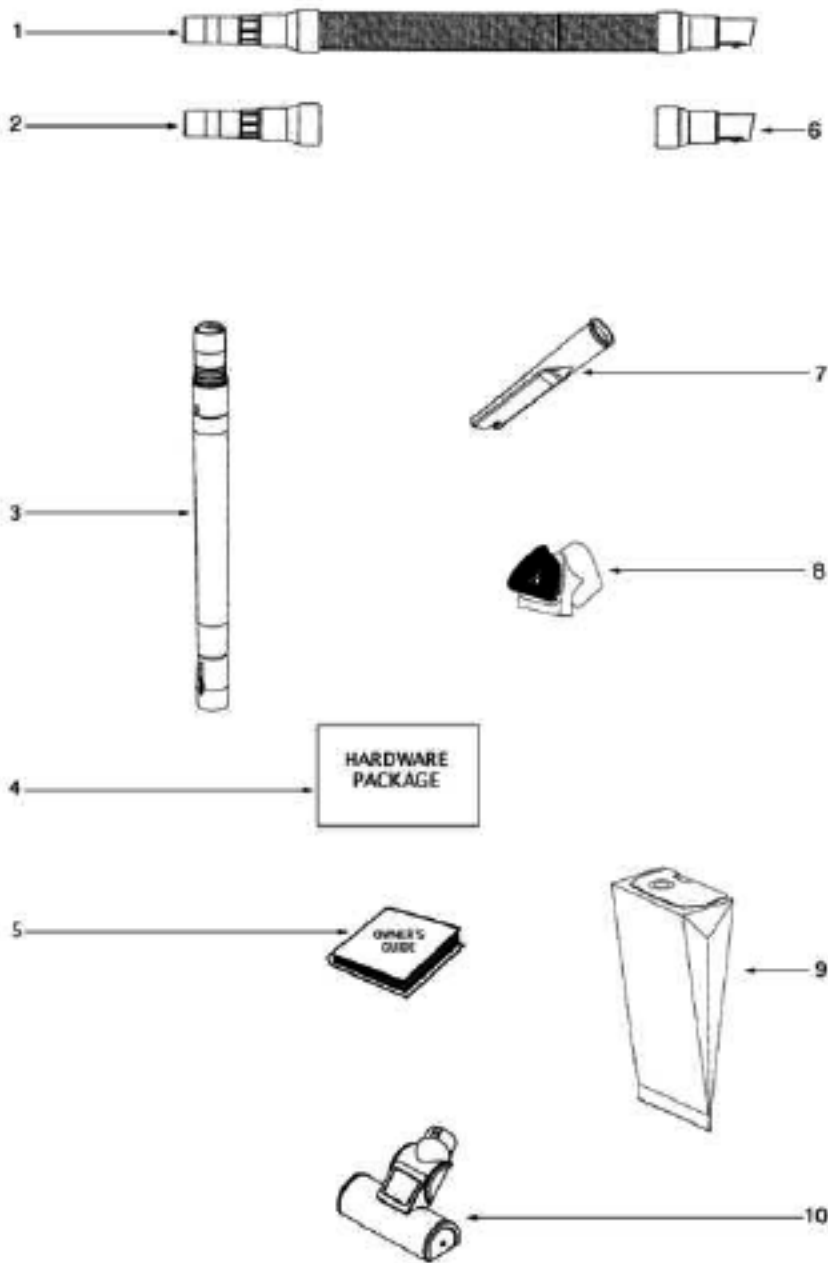
BELT OEM EUREKA EXTENED LIFE 1 PACK



Qty	Part	Description	Comments	Qty
3	3880-16	SUPPLY CORD & TERMINAL AS		
2	54936-91	BAG COVER ASSY - PACKAGED		
3	58505	GASKET - BAG COVER		
4	38613	GASKET		
5	60126-22	REAR HOUSING - PACKAGED		
6	38688A	MOTOR SHIELD		
7	38661	FOAM - SOUND		
8	38678-119N	PLUNGER		
9	55794	SPRING		
10	48815	LAMP - HEADLIGHT		
11	38611-1	HEADLAMP SCKT & TERMINAL		
12	61505	HEPA FILTER PKG - STYLE H		
13	53197-1	SCREW PACKAGE		
14	27549-288N	DOOR - FILTER		
15	61432-22	MOTOR COVER ASSY W/O LENS		
16	15072-313N	LENS - MOTOR COVER		
17	60068-2	SCREW PACKAGE		
18	27962	GASKET		
19	60261-11	MOTOR ASSEMBLY - PACKAGED		
20	27552B	GROMMET		
21	38482A-119N	CAP - HANDLE		
22	71139-1	HANDLE & CAP ASSEMBLY		
23	53238-44	SCREW PACKAGE		
25	02093A-119N	CADDY - TOOL		
26	27474C-288N	SWITCH - BUTTON		
27	60134	TORS SPRING PKG		
28	28304A	SWITCH - PUSHBUTTON		
29	60165-1	RETAINING RING PKG		
30	39252-2	THERMOSTAT & TERMINAL ASS		
31	38696	SHIELD - LIGHT		
32	61333	MOTOR FILTER PACKAGE		
33	28425	GRILLE - AIR DUCT		
34	59297SV	GASKET - AIR DUCT		
35	15536A-119N	AIR DUCT		
36	27171A	GASKET		
37	39023	FLANGE - MOTOR INTAKE		



Qty	Part	Description	Comments	Qty
3	53238-44	OPERATOR - HEIGHT ADJUSTM		
2	53238-44	SCREW PACKAGE		
3	60069-70	HOOD ASSEMBLY - PACKAGED		
4	60701-11	BASE ASSY - PKGD		
5	28243A-316N	ADAPTER - BASE		
6	54943	SPRING PACKAGE		
7	14993C-119N	CARRIAGE - WHEEL		
8	39173A-119N	WHEEL - FRONT		
9	71551	AXLE - WHEEL		
10	61308-2	BRUSHROLL ASSEMBLY - CART		
11	15591A-288N	GUARD - FURNITURE		
12	53197-1	SCREW PACKAGE		
13	27468D-119N	CUFF - HOSE		
14	38479-4	HOSE - COMPRESSION (PURCH		
15	27467A-288N	RELEASE - HANDLE		
16	60133	COMPRESSION SPRING - PACK		
17	27493A-119N	WHEEL - REAR		
18	54432	PACKAGE - RETAINING RING		
19	38590A	AXLE - REAR		
20	58506-4	GASKET		
21	61120	BELT PKG ASSY-(U-EXTENDED		
22	54376-2	BELT CAP & GASKET - PACKA		
23	57569	GASKET - FELT		
25	38420-2	CLAMP		
	27402	DIVERTER VALVE		



Qty	Part	Description	Comments	Qty
1	51028-1	HOSE ASSEMBLY - CARTONED		
2	27461B-119N	ADAPTER - HOSE		
3	58728B	NESTING WAND ASSEMBLY		
4	59930A	PACKAGE - HARDWARE		
5	70262B	OWNER'S GUIDE		
6	37057A-3	COUPLING - HOSE		
7	27237-3	TOOL - CREVICE		
8	61037	COMBINATION TOOL - PACKAG		
9	58623A	PAPER BAG PKG FA (STYLE A		
10	28612A	TURBO NOZZLE ASSY (MODEL		