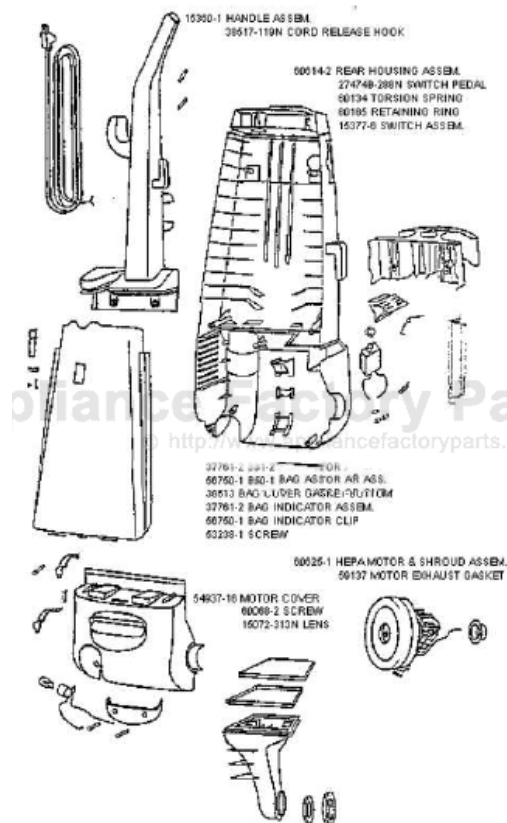


This Owner's Manual is provided and hosted by [Appliance Factory Parts](http://ApplianceFactoryParts.com).



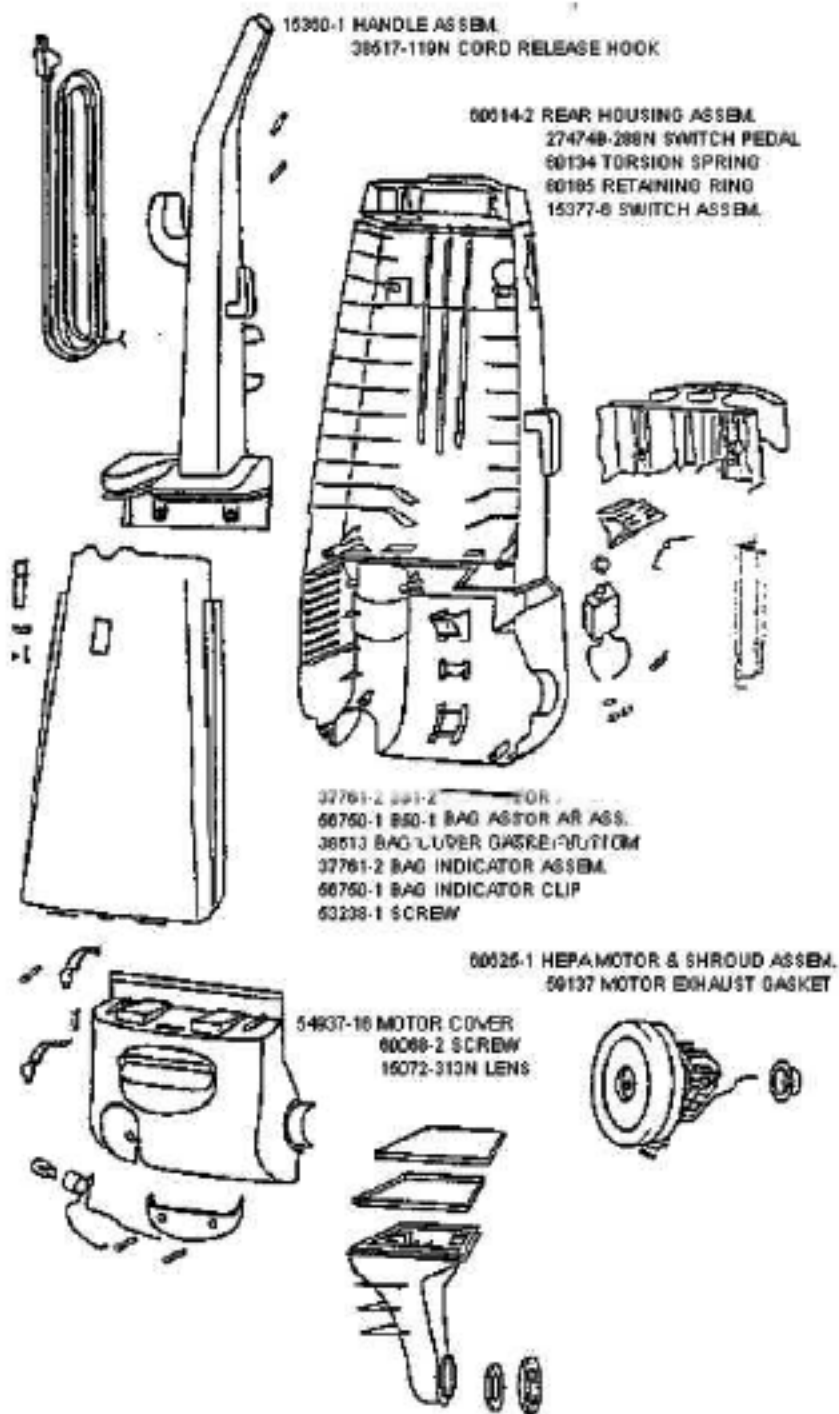
Eureka 4472AT Owner's Manual

[Shop genuine replacement parts for Eureka 4472AT](#)

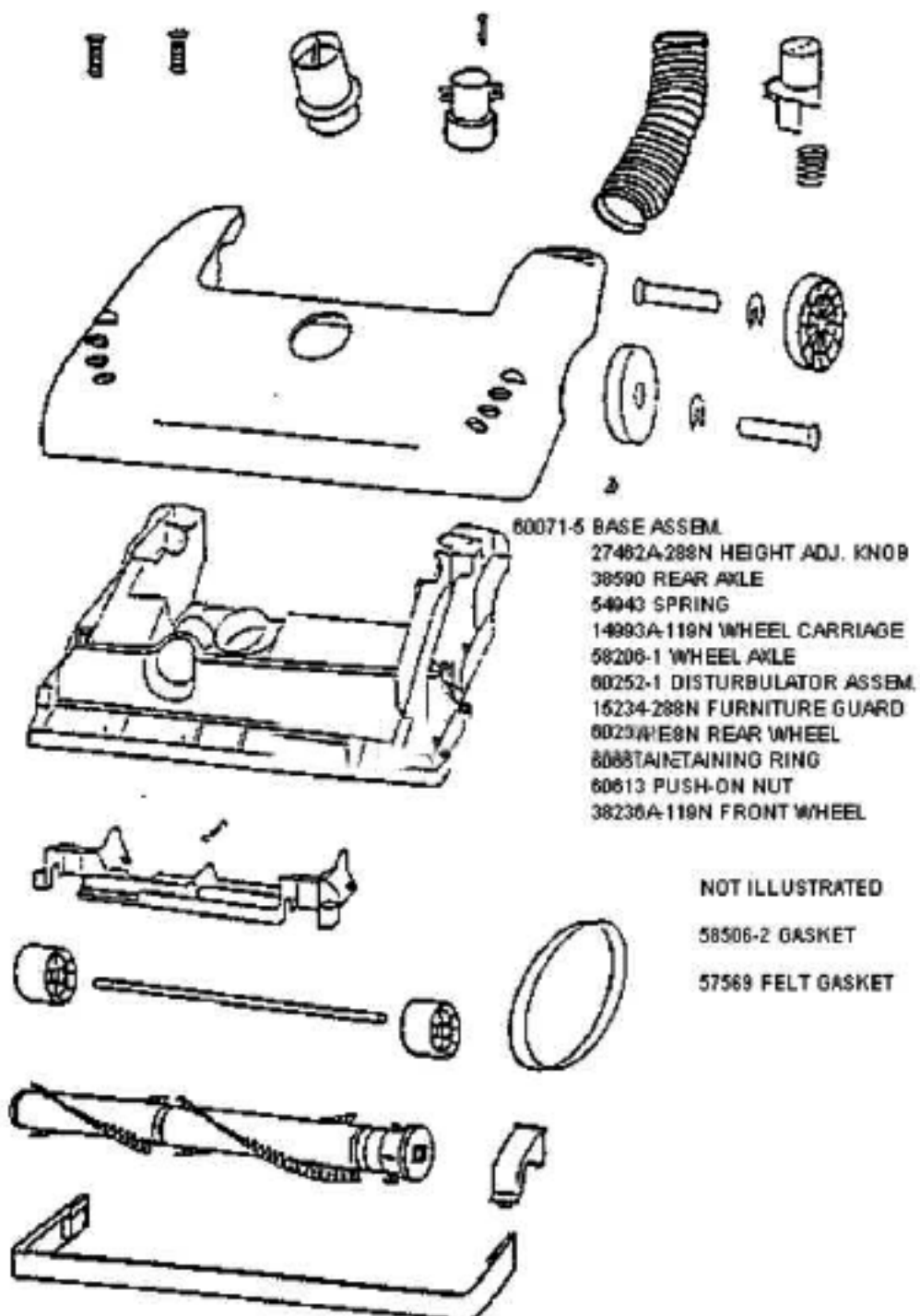


[Find Your Eureka Vacuum Cleaner Parts - Select From 855 Models](#)

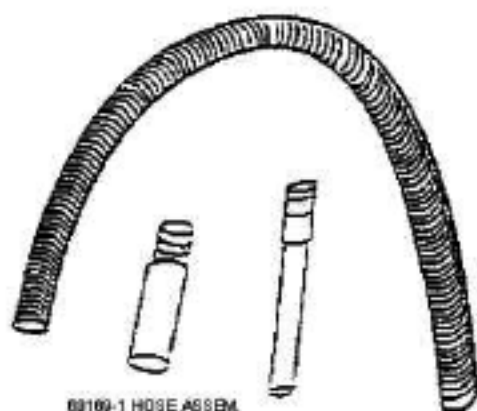
----- Manual continues below -----



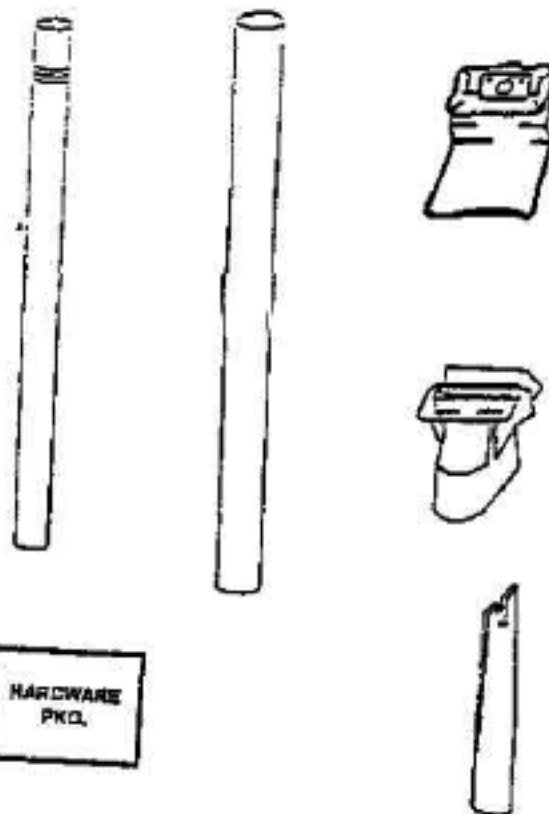
Ref#	Part	Description	Comments	Qty
1	15072-313N	LENS - MOTOR COVER		
2	15360-5	HANDLE & GRAPHICS ASSEMBL		
3	15377-6	KIT - SERVICE WINSTRUCTI		
4	15408A-119N	DUCT - AIR		
5	15443-119N	TOOL CADDY		
6	27171	GASKET		
7	27474B-288N	SWITCH - BUTTON		
8	27552B	GROMMET		
9	37761-2	BAG INDICATOR ASSEMBLY		
10	38420-2	CLAMP		
11	38469	FILTER - PRE-MOTOR		
12	38517-119N	HOOK - CORD RELEASE		
13	38611	HEADLAMP SCKT & TERMINAL		
14	38613	GASKET		
15	38680-9	SUPPLY CORD & TERMINAL AS		
16	39023	FLANGE - MOTOR INTAKE		
17	48815	LAMP - HEADLIGHT		
18	53197-1	SCREW PACKAGE		
19	53238-1	SCREW PACKAGE		
20	54936-28	BAG COVER ASSY - PACKAGED		
21	54937-16	MOTOR COVER ASSY W/O LENS		
22	56750-1	CLIP - BAG INDICATOR		
23	58505	GASKET - BAG COVER		
24	59137	GASKET - MOTOR EXHAUST		
25	60068-2	SCREW PACKAGE		
26	60134	TORS SPRING PKG		
27	60165	RETAINING RING PKG		
28	60192-1	WIRE SPLICE 5		
29	60285	HEPA FILTER PACKAGE		
30	60614-2	REAR HSNG - PKG		
31	60625-1	HEPA MOTOR & SHROUD ASSY		



Ref#	Part	Description	Comments	Qty
1	14993A-119N	CARRIAGE - WHEEL		
2	15234-288N	GUARD - FURNITURE (14")		
3	27462A-288N	OPERATOR - HEIGHT ADJUSTM		
4	27467-288N	RELEASE - HANDLE		
5	27468A-119N	CUFF - HOSE		
6	27493-288N	WHEEL - REAR		
7	38236A-119N	WHEEL - FRONT		
8	38479-2	HOSE - COMPRESSION (PURCH		
9	38590	AXLE - REAR		
10	53197-1	SCREW PACKAGE		
11	54312	BELT PACKAGE ASSEMBLY (U)		
12	54376-2	BELT CAP & GASKET - PACKA		
13	54432	PACKAGE - RETAINING RING		
14	54669-2	SCREW PACKAGE		
15	54943	SPRING PACKAGE		
16	57569	GASKET - FELT		
17	58206-1	AXLE - WHEEL		
18	58506-2	GASKET		
19	60069-24	HOOD ASSEMBLY - PACKAGED		
20	60071-5	BASE ASSY - PKGD		
21	60133	COMPRESSION SPRING - PACK		
22	60252-1	BRUSHROLL ASSEMBLY - CART		
23	60613	PUSH ON NUT PKG		



09169-1 HOSE ASSEM
274018-119N HOSE ADAPTER
27624-119N STRAIGHT WAND



HARDWARE
PKG.

Ref#	Part	Description	Comments	Qty
1	27461B-119N	ADAPTER - HOSE		
2	54669-2	SCREW PACKAGE		
3	54780	TOOL - CREVICE		
4	54784	COMBINATION TOOL - PACKAG		
5	58623	PAPER BAG PKG FA (STYLE A		
6	58728A	NESTING WAND ASSEMBLY		
7	60169-1	HOSE ASSEMBLY - CARTONED		