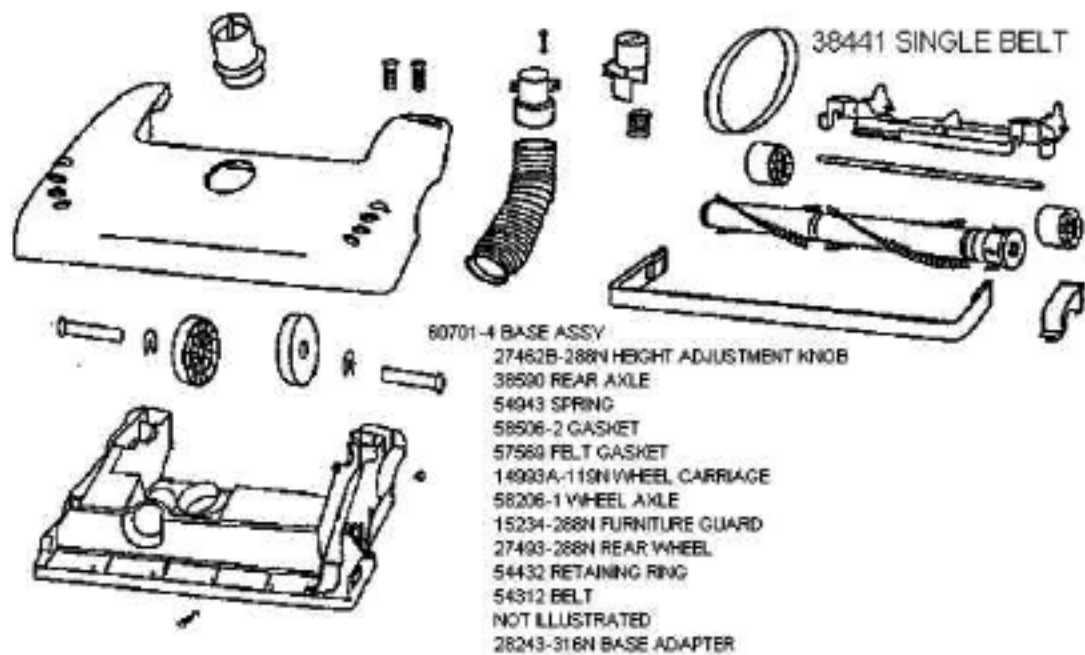


Ref#	Part	Description	Comments	Qty
1	15072-313N	LENS - MOTOR COVER		
2	15360-1	HANDLE & GRAPHICS ASSEMBL		
3	15377-9	KIT - SERVICE W/INSTRUCTI		
4	15408B-119N	DUCT - AIR		
5	15443A-119N	TOOL CADDY		
6	27171A	GASKET		
7	27474C-289N	SWITCH - BUTTON		
8	27552B	GROMMET		
9	28425	GRILLE - AIR DUCT		
10	38398-1	PAD - ACOUSTIC		
11	38420-2	CLAMP		
12	38511	HEADLAMP SCKT & TERMINAL		
13	38580-9	SUPPLY CORD & TERMINAL AS		
14	39023	FLANGE - MOTOR INTAKE		
15	39252	THERMOSTAT & TERMINAL ASS		
16	39292	FILTER - PRE-MOTOR		
17	48815	LAMP - HEADLIGHT		
18	53197-1	SCREW PACKAGE		
19	54795	RUBBER BAND - PKG OF 3		
20	54937-31	MOTOR COVER ASSY - PACKAG		
21	59137	GASKET - MOTOR EXHAUST		
22	59297SV	GASKET - AIR DUCT		
23	59361A	ADAPTER - TUBE		
24	59362B	TUBE		
25	60068-2	SCREW PACKAGE		
26	60134	TORS SPRING PKG		
27	60165	RETAINING RING PKG		
28	60192-1	WIRE SPLICE 5		
29	60285	HEPA FILTER PACKAGE		
30	60625-4	HEPA MOTOR & SHROUD ASSY		
31	60703-2	REAR HOUSING - PKGD		
32	60982-3	PCB & BRACKET ASSY - CART		



Ref#	Part	Description	Comments	Qty
1	14993A-119N	CARRIAGE - WHEEL		
2	15234-288N	GUARD - FURNITURE (14")		
3	27462B-288N	OPERATOR - HEIGHT ADJUSTM		
4	27467A-288N	RELEASE - HANDLE		
5	27493-288N	WHEEL - REAR		
6	28243-316N	ADAPTER - BASE		
7	38479-4	HOSE - COMPRESSION (PURCH		
8	38590	AXLE - REAR		
9	39173-119N	WHEEL - FRONT		
10	53197-1	SCREW PACKAGE		
11	54312	BELT PACKAGE ASSEMBLY (U)		
12	54376-2	BELT CAP & GASKET - PACKA		
13	54432	PACKAGE - RETAINING RING		
14	54943	SPRING PACKAGE		
15	57569	GASKET - FELT		
16	58206-1	AXLE - WHEEL		
17	58506-2	GASKET		
18	60069-46	HOOD ASSEMBLY - PACKAGED		
19	60133	COMPRESSION SPRING - PACK		
20	60252-1	BRUSHROLL ASSEMBLY - CART		
21	60613	PUSH ON NUT PKG		
22	60701-4	BASE ASSY - PKGD		



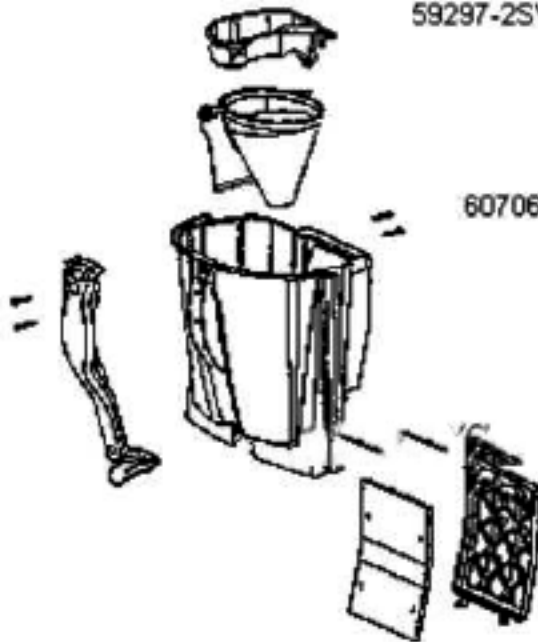
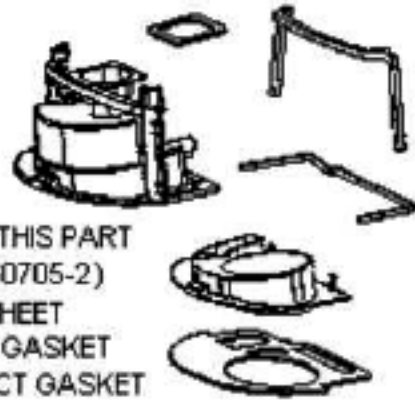
60705-2 CYCLONE ASSY

LOWER CYCLONE (THIS PART ONLY WITH PART 60705-2)

39219A GASKET SHEET

59595-1 CYCLONE GASKET

59297-2SV AIR DUCT GASKET



60706-1 CYCLONIC CASSETTE ASSY

28099B-333N FILTER SCREEN

02311A-333N CYCLONE FUNNEL

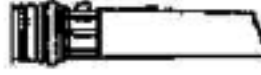
28131-288N DIRT CUP GRIP

53197-1 SCREW

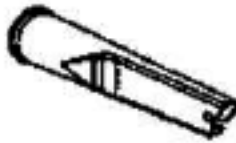
28114-119N FILTER FRAME

28114-119N FILTER

Ref#	Part	Description	Comments	Qty
1	02311A-333N	FUNNEL & GASKET ASSEMBLY		
2	28099B-333N	FILTER - SCREEN		
3	28114-119N	FRAME - FILTER		
4	28131-288N	GRIP - DIRT CUP		
5	39219A	CYCLONE GASKET SHEET		
6	53197-1	SCREW PACKAGE		
7	59297-2SV	GASKET - AIR DUCT		
8	59595-1	GASKET - CYCLONE		
9	60696	FILTER PACKAGE		
10	60704-7	FRONT COVER ASSEMBLY - PK		
11	60705-2	UPPER CYCLONE ASSY - PKGD		
12	60706-1	CYCLONIC CASSETTE ASSY		



60169-6 HOSE ASSY
37057A-3 HOSE COUPLING
27461B-119N HOSE ADAPTER



NOT ILLUSTRATED
59894 OWNERS GUIDE
59949 MINI TURBO ASSY

Ref#	Part	Description	Comments	Qty
1	26708-119N	TOOL - CREVICE		
2	27461B-119N	ADAPTER - HOSE		
3	37057A-3	COUPLING - HOSE		
4	54784	COMBINATION TOOL - PACKAG		
5	58607	SCREW PACKAGE		
6	58728B	NESTING WAND ASSEMBLY		
7	59949	TURBO NOZZLE ASSY (MODEL		
8	60169-6	HOSE ASSEMBLY - CARTONED		