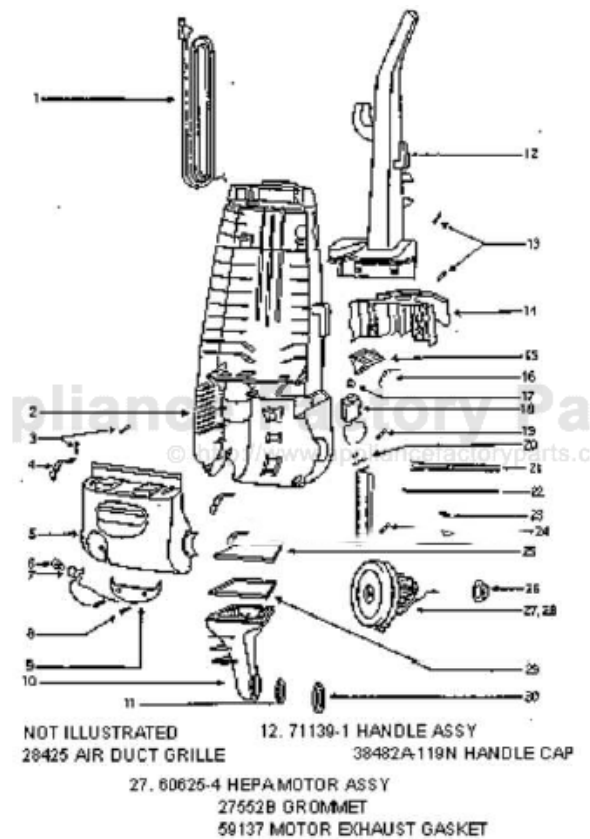


This Owner's Manual is provided and hosted by Appliance Factory Parts.



Eureka 4488AT Owner's Manual

[Shop genuine replacement parts for Eureka 4488AT](#)



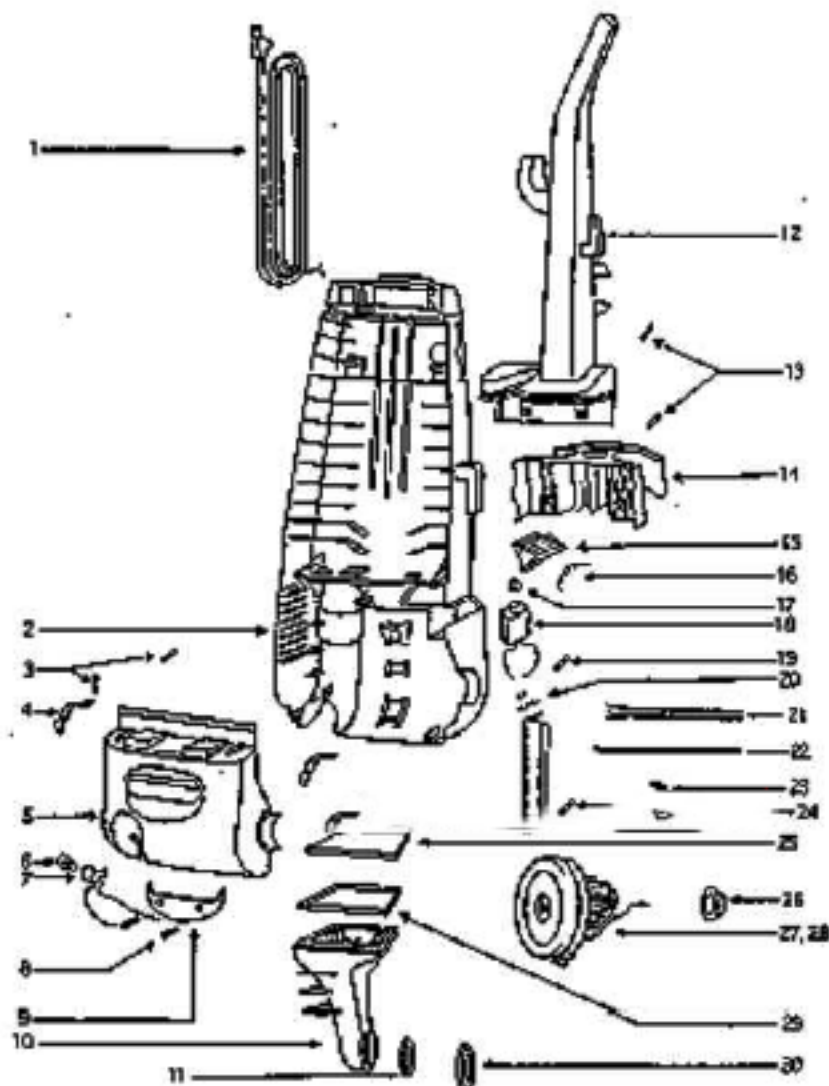
[Find Your Eureka Vacuum Cleaner Parts - Select From 855 Models](#)

----- Manual continues below part list -----

Available Replacement Parts for Eureka 4488AT

[ER-1875](#)

EUREKA HF9 HEPA FILTER

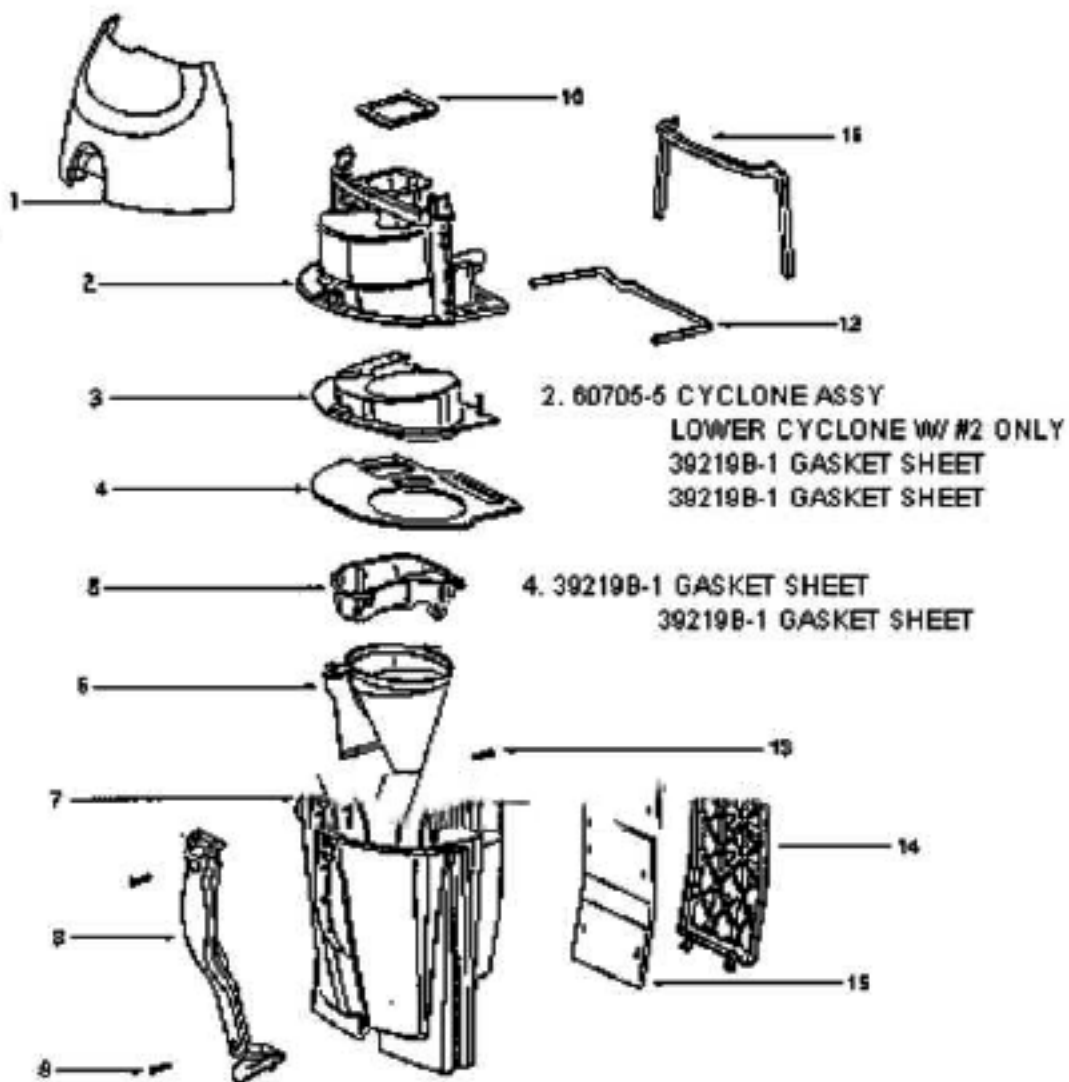


NOT ILLUSTRATED
28425 AIR DUCT GRILLE

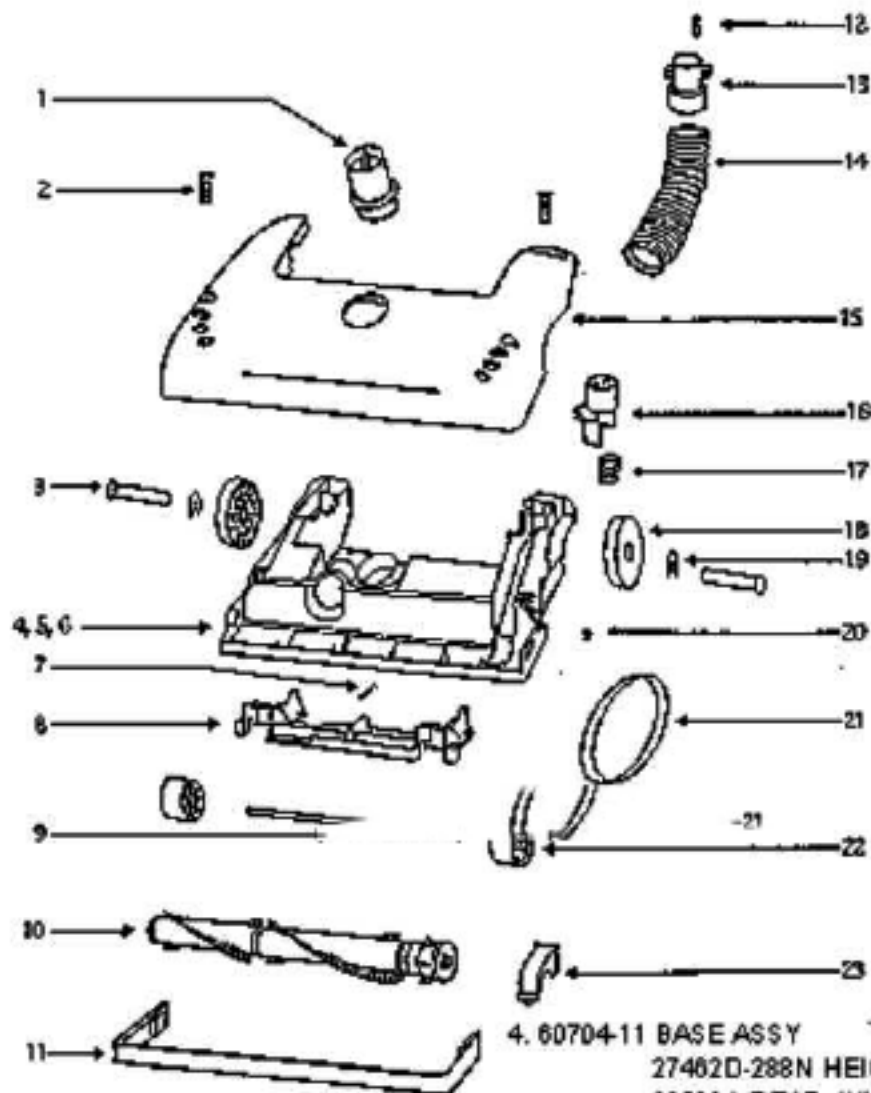
12. 71139-1 HANDLE ASSY
38482A-119N HANDLE CAP

27. 60625-4 HEPAMOTOR ASSY
27552B GROMMET
59137 MOTOR EXHAUST GASKET

Ref#	Part	Description	Comments	Qty
1	15072-313N	LENS - MOTOR COVER		
2	15408B-119N	DUCT - AIR		
3	15443B-119N	TOOL CADDY		
4	27171A	GASKET		
5	27474C-288N	SWITCH - BUTTON		
6	27552B	GROMMET		
7	28304A	SWITCH - PUSHBUTTON		
8	28425	GRILLE - AIR DUCT		
9	38420-2	CLAMP		
10	38482A-119N	CAP - HANDLE		
11	38611-1	HEADLAMP SCKT & TERMINAL		
12	38680-17	SUPPLY CORD & TERMINAL AS		
13	39023	FLANGE - MOTOR INTAKE		
14	39252-2	THERMOSTAT & TERMINAL ASS		
15	48815	LAMP - HEADLIGHT		
16	53197-1	SCREW PACKAGE		
17	59137	GASKET - MOTOR EXHAUST		
18	59297SV	GASKET - AIR DUCT		
19	59361A	ADAPTER - TUBE		
20	59362B	TUBE		
21	60068-2	SCREW PACKAGE		
22	60134	TORS SPRING PKG		
23	60192-1	WIRE SPLICE 5		
24	60285B	HEPA FILTER PACKAGE		
25	60625-4	HEPA MOTOR & SHROUD ASSY		
26	60703-3	REAR HOUSING - PKGD		
27	61333	MOTOR FILTER PACKAGE		
28	61432-1	MOTOR COVER ASSY W/O LENS		
29	70521	RETAINING RING PKG		
30	71139-1	HANDLE & CAP ASSEMBLY		



Ref#	Part	Description	Comments	Qty
1	28099B-333N	FILTER - SCREEN		
2	28114-119N	FRAME - FILTER		
3	28131-288N	GRIP - DIRT CUP		
4	39219B-1	CYCLONE GASKET SHEET		
5	53197-1	SCREW PACKAGE		
6	59297-2SV	GASKET - AIR DUCT		
7	59595-1	GASKET - CYCLONE		
8	60696	FILTER PACKAGE		
9	60704-36	FRONT COVER ASSEMBLY - PK		
10	60705-5	UPPER CYCLONE ASSY - PKGD		
11	60706-1	CYCLONIC CASSETTE ASSY		
12	71568	FUNNEL & GASKET ASSEMBLY		



4. 60704-11 BASE ASSY

27462D-288N HEIGHT ADJ KNOB

38590A REAR AXLE

58506-4 GASKET

57569 FELT GASKET

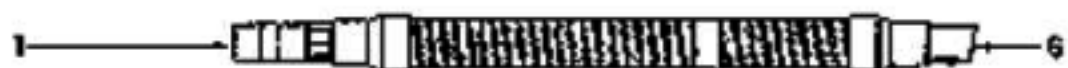
54943 SPRING

14993C-119N WHEEL CARRIAGE

58206-1 WHEEL AXLE

45504 200N FURNITURE GUARD

Ref#	Part	Description	Comments	Qty
1	14993C-119N	CARRIAGE - WHEEL		
2	15591-288N	GUARD - FURNITURE		
3	27462D-288N	OPERATOR - HEIGHT ADJUSTM		
4	27467A-288N	RELEASE - HANDLE		
5	27468D-119N	CUFF - HOSE		
7	38479-4	HOSE - COMPRESSION (PURCH		
8	38590A	AXLE - REAR		
9	39173A-119N	WHEEL - FRONT		
10	53197-1	SCREW PACKAGE		
11	54376-2	BELT CAP & GASKET - PACKA		
12	54432	PACKAGE - RETAINING RING		
13	54943	SPRING PACKAGE		
14	57569	GASKET - FELT		
15	58206-1	AXLE - WHEEL		
16	58506-4	GASKET		
17	60069-43	HOOD ASSEMBLY - PACKAGED		
18	60133	COMPRESSION SPRING - PACK		
18	27493A-119N	WHEEL - REAR		
19	60613	PUSH ON NUT PKG		
20	60701-11	BASE ASSY - PKGD		
21	61120	BELT PKG ASSY (U-EXTENDED		
22	61308-2	BRUSHROLL ASSEMBLY - CART		
	27493-288N	WHEEL - REAR		



2. 61028-1 HOSE ASSY

37057A3 HOSE COUPLING

27461B-119N HOSE ADAPTER



HARDWARE
PACKAGE



CD-ROM
DATA

Ref#	Part	Description	Comments	Qty
1	26708-119N	TOOL - CREVICE		
2	27461B-119N	ADAPTER - HOSE		
3	37057A-3	COUPLING - HOSE		
4	58607	SCREW PACKAGE		
5	58728B	NESTING WAND ASSEMBLY		
6	61028-1	HOSE ASSEMBLY - CARTONED		
7	61037	COMBINATION TOOL - PACKAG		
8	70239B	OWNERS GUIDE		