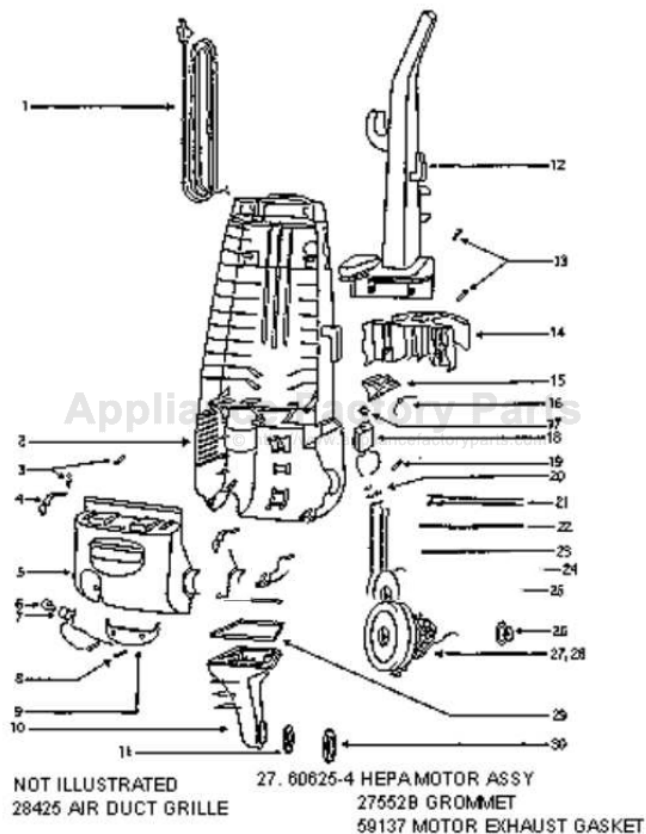


This Owner's Manual is provided and hosted by [Appliance Factory Parts](#).



Eureka 4489AT Owner's Manual

[Shop genuine replacement parts for Eureka 4489AT](#)



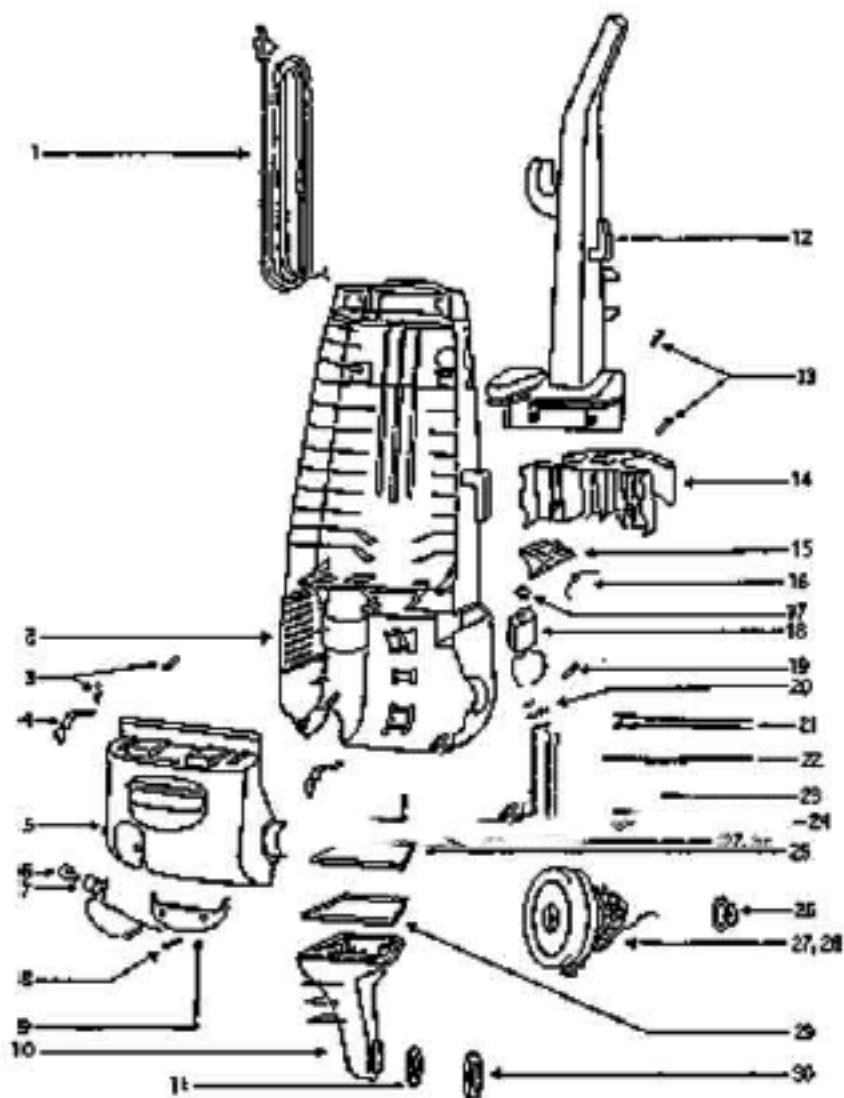
[Find Your Eureka Vacuum Cleaner Parts - Select From 855 Models](#)

----- Manual continues below part list -----

Available Replacement Parts for Eureka 4489AT

[ER-1875](#)

EUREKA HF9 HEPA FILTER

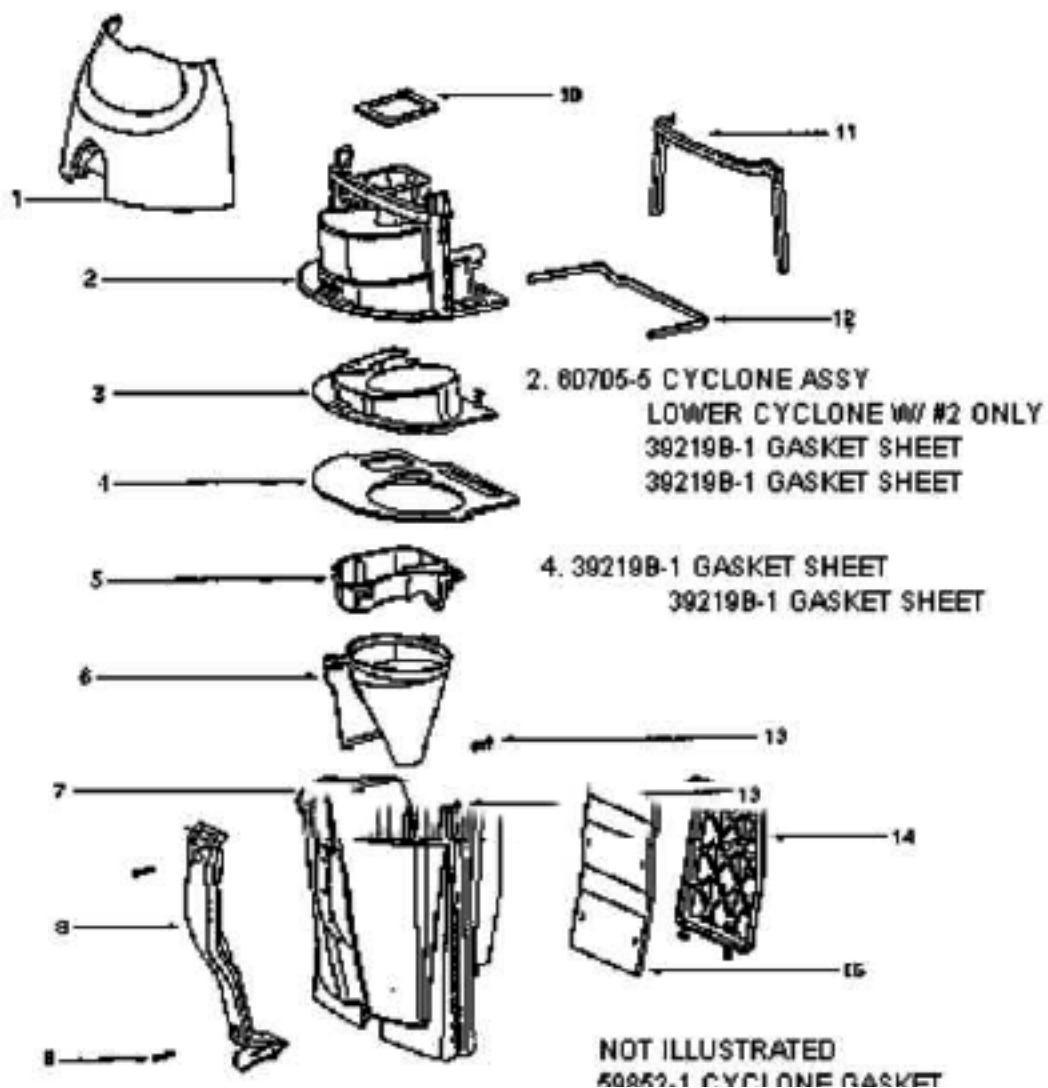


NOT ILLUSTRATED
28425 AIR DUCT GRILLE

27. 60625-4 HEPA MOTOR ASSY
27552B GROMMET
59137 MOTOR EXHAUST GASKET

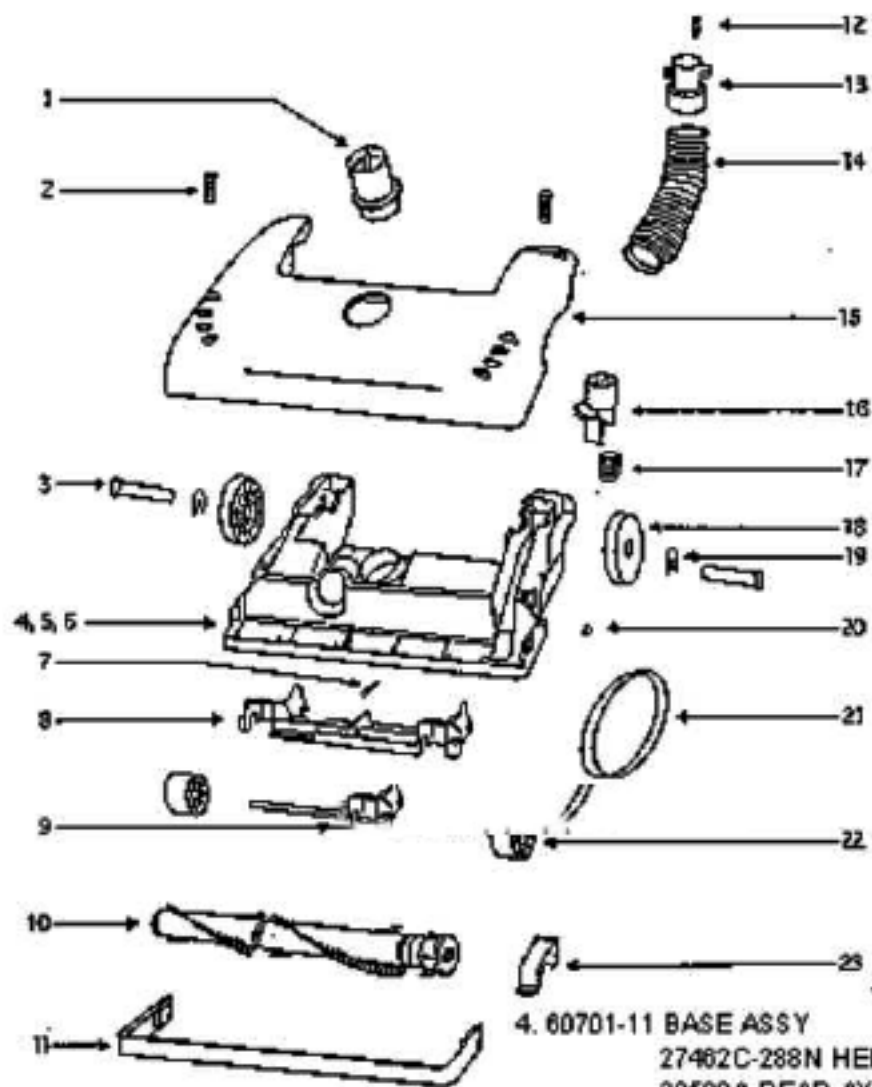
Main Body - 4489AT

Ref #	Part	Description	Comments	Qty
1	15072-313N	LENS - MOTOR COVER		
2	15408B-119N	DUCT - AIR		
3	15443B-119N	TOOL CADDY		
4	27171A	GASKET		
5	27474C-288N	SWITCH - BUTTON		
6	27552B	GROMMET		
7	28304A	SWITCH - PUSHBUTTON		
8	28425	GRILLE - AIR DUCT		
9	38420-2	CLAMP		
10	38611-1	HEADLAMP SCKT & TERMINAL		
11	38680-17	SUPPLY CORD & TERMINAL AS		
12	39023	FLANGE - MOTOR INTAKE		
13	39252-2	THERMOSTAT & TERMINAL ASS		
14	48815	LAMP - HEADLIGHT		
15	53197-1	SCREW PACKAGE		
16	59137	GASKET - MOTOR EXHAUST		
17	59297SV	GASKET - AIR DUCT		
18	59361A	ADAPTER - TUBE		
19	59362B	TUBE		
20	60068-2	SCREW PACKAGE		
21	60134	TORS SPRING PKG		
22	60192-1	WIRE SPLICE 5		
23	60286B	HEPA FILTER PACKAGE		
24	60625-4	HEPA MOTOR & SHROUD ASSY		
25	60703-3	REAR HOUSING - PKGD		
26	61333	MOTOR FILTER PACKAGE		
27	61432-3	MOTOR COVER ASSY W/O LENS		
28	70521	RETAINING RING PKG		
29	71139-1	HANDLE & CAP ASSEMBLY		



Dust Cup - 4489AT

Ref #	Part	Description	Comments	Qty
1	02311A-333N	FUNNEL & GASKET ASSEMBLY		
2	28099B-333N	FILTER - SCREEN		
3	28114-119N	FRAME - FILTER		
4	28131-288N	GRIP - DIRT CUP		
5	39219B-1	CYCLONE GASKET SHEET		
6	53197-1	SCREW PACKAGE		
7	59297-2SV	GASKET - AIR DUCT		
8	59595-1	GASKET - CYCLONE		
9	59852-1	GASKET - CYCLONE		
10	60696	FILTER PACKAGE		
11	60704-34	FRONT COVER ASSEMBLY - PK		
12	60705-5	UPPER CYCLONE ASSY - PKGD		
13	60706-1	CYCLONIC CASSETTE ASSY		



4. 60701-11 BASE ASSY

27462C-288N HEIGHT ADJ KNOB

39590A REAR AXLE

58506-4 GASKET

57589 FELT GASKET

54943 SPRING

14993C-119N WHEEL CARRIAGE

58206-1 WHEEL AXLE

27493-288N REAR WHEEL

54432 RETAINING RING

39173A-119N FRONT WHEEL

Ref#	Part	Description	Comments	Qty
1	14993C-119N	CARRIAGE - WHEEL		
2	15591-288N	GUARD - FURNITURE		
3	27462C-288N	OPERATOR - HEIGHT ADJUSTM		
4	27467A-288N	RELEASE - HANDLE		
5	27468D-119N	CUFF - HOSE		
6	27493-288N	WHEEL - REAR		
7	38479-4	HOSE - COMPRESSION (PURCH		
8	38590A	AXLE - REAR		
9	39173A-119N	WHEEL - FRONT		
10	53197-1	SCREW PACKAGE		
11	54376-2	BELT CAP & GASKET - PACKA		
12	54432	PACKAGE - RETAINING RING		
13	54943	SPRING PACKAGE		
14	57569	GASKET - FELT		
15	58206-1	AXLE - WHEEL		
16	58506-4	GASKET		
17	60069-63	HOOD ASSEMBLY - PACKAGED		
18	60133	COMPRESSION SPRING - PACK		
19	60613	PUSH ON NUT PKG		
20	60701-11	BASE ASSY - PKGD		
21	61120	BELT PKG ASSY-STYLE U EXT		
22	61308-2	BRUSHROLL ASSEMBLY - CART		

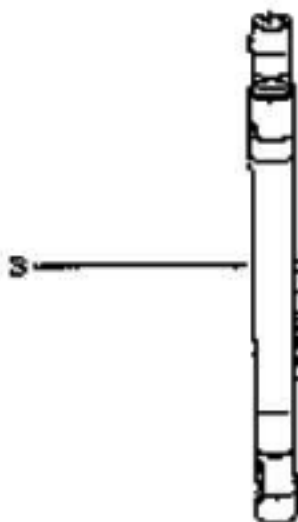


2

2. 61028-1 HOSE ASSY

37057A3 HOSE COUPLING

27461B-119N HOSE ADAPTER



4

HARDWARE
PACKAGE

5

CHEF'S
SUNG

ACCESSORIES - 4489AT

Ref #	Part	Description	Comments	Qty
1	26708-119N	TOOL - CREVICE		
2	27461B-119N	ADAPTER - HOSE		
3	37057A-3	COUPLING - HOSE		
4	58607	SCREW PACKAGE		
5	58728B	NESTING WAND ASSEMBLY		
6	61028-1	HOSE ASSEMBLY - CARTONED		
7	61037	COMBINATION TOOL - PACKAG		
8	70239B	OWNERS GUIDE		