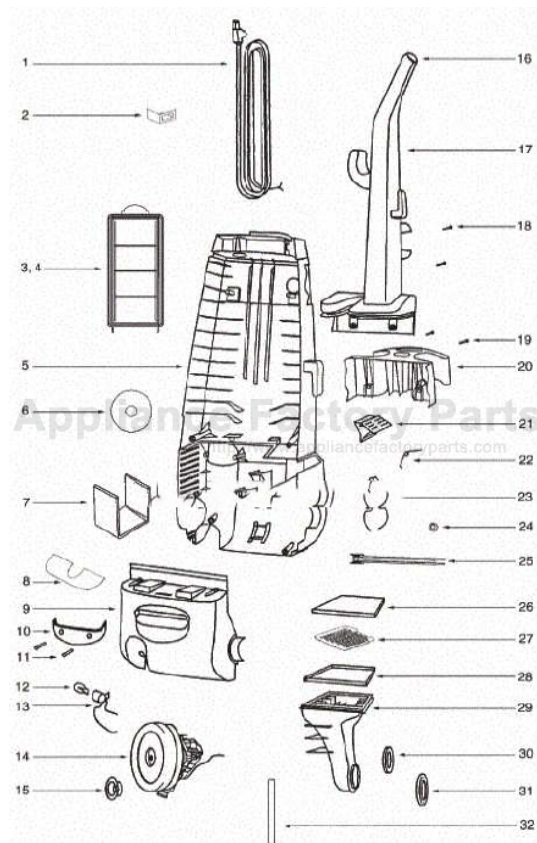


This Owner's Manual is provided and hosted by [Appliance Factory Parts](http://Appliance Factory Parts).



# Eureka 4499A Owner's Manual

[Shop genuine replacement parts for Eureka 4499A](#)

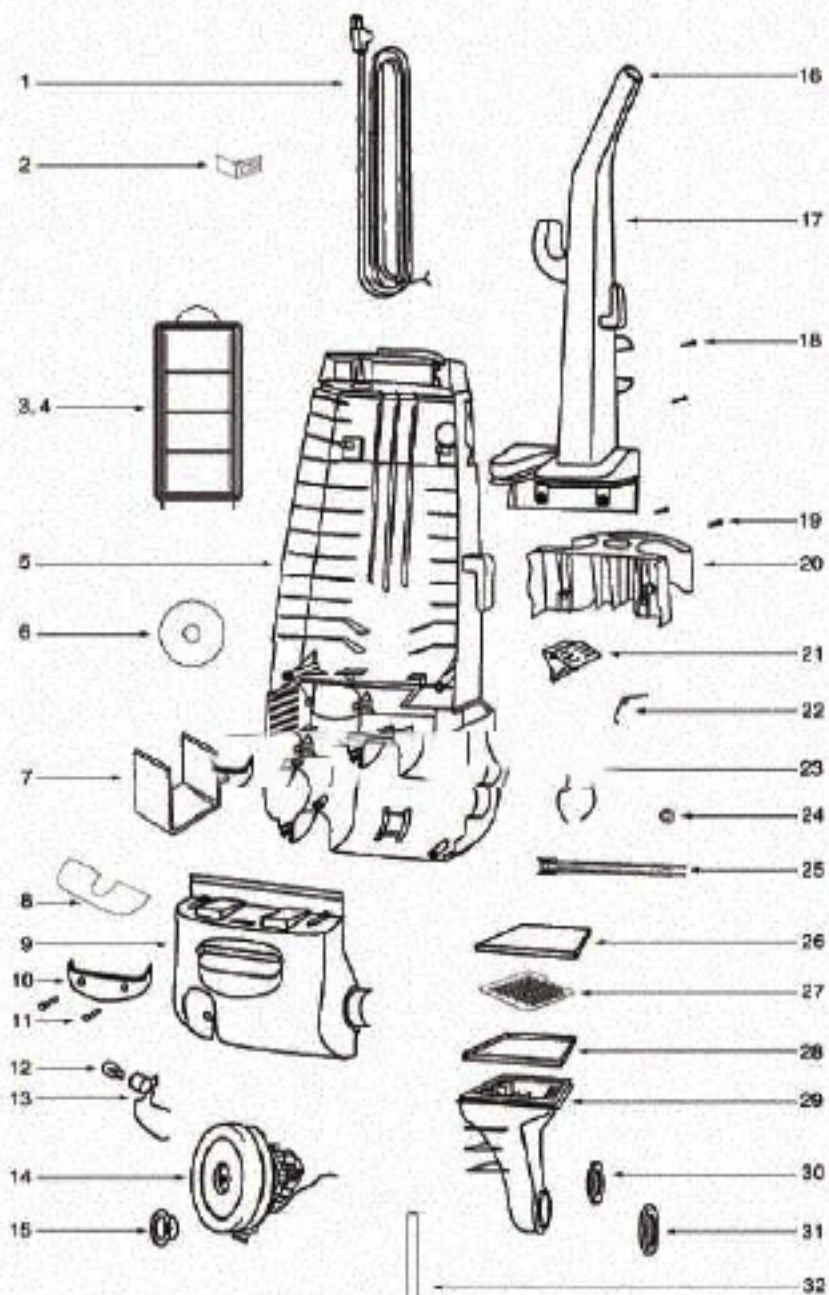


[Find Your Eureka Vacuum Cleaner Parts - Select From 855 Models](#)

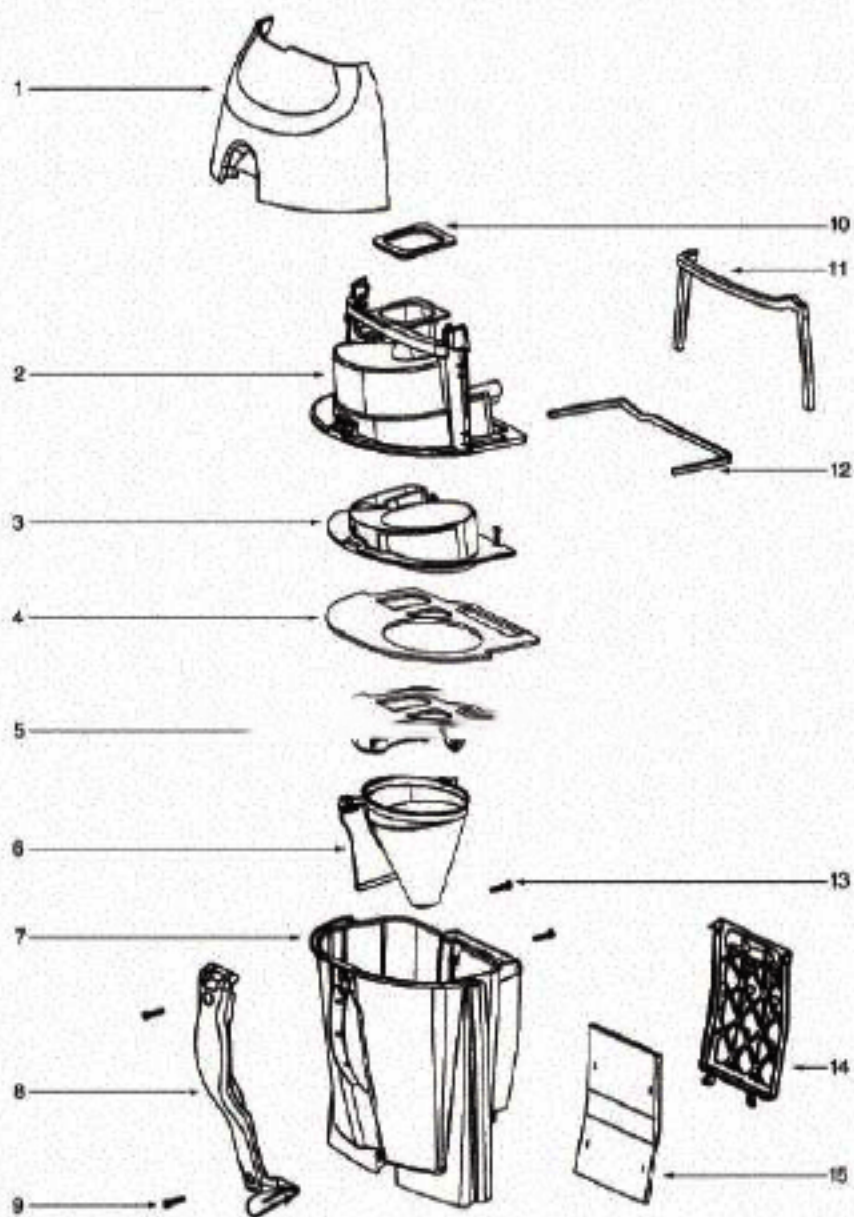
----- Manual continues below part list -----

## Available Replacement Parts for Eureka 4499A

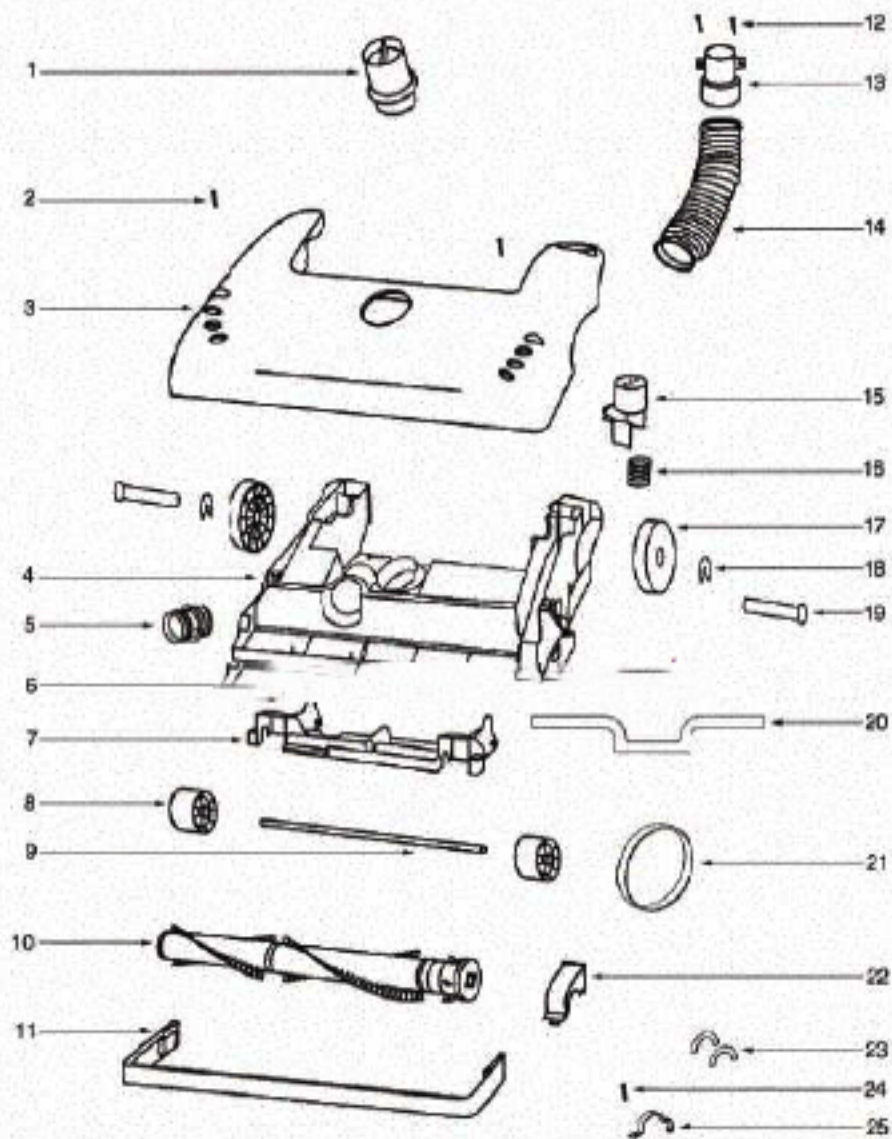
<a href="#">e-39266</a>	BELT OEM EUREKA EXTENED LIFE 1 PACK
<a href="#">ER-1875</a>	EUREKA HF9 HEPA FILTER
<a href="#">ER-2028</a>	ROLLER



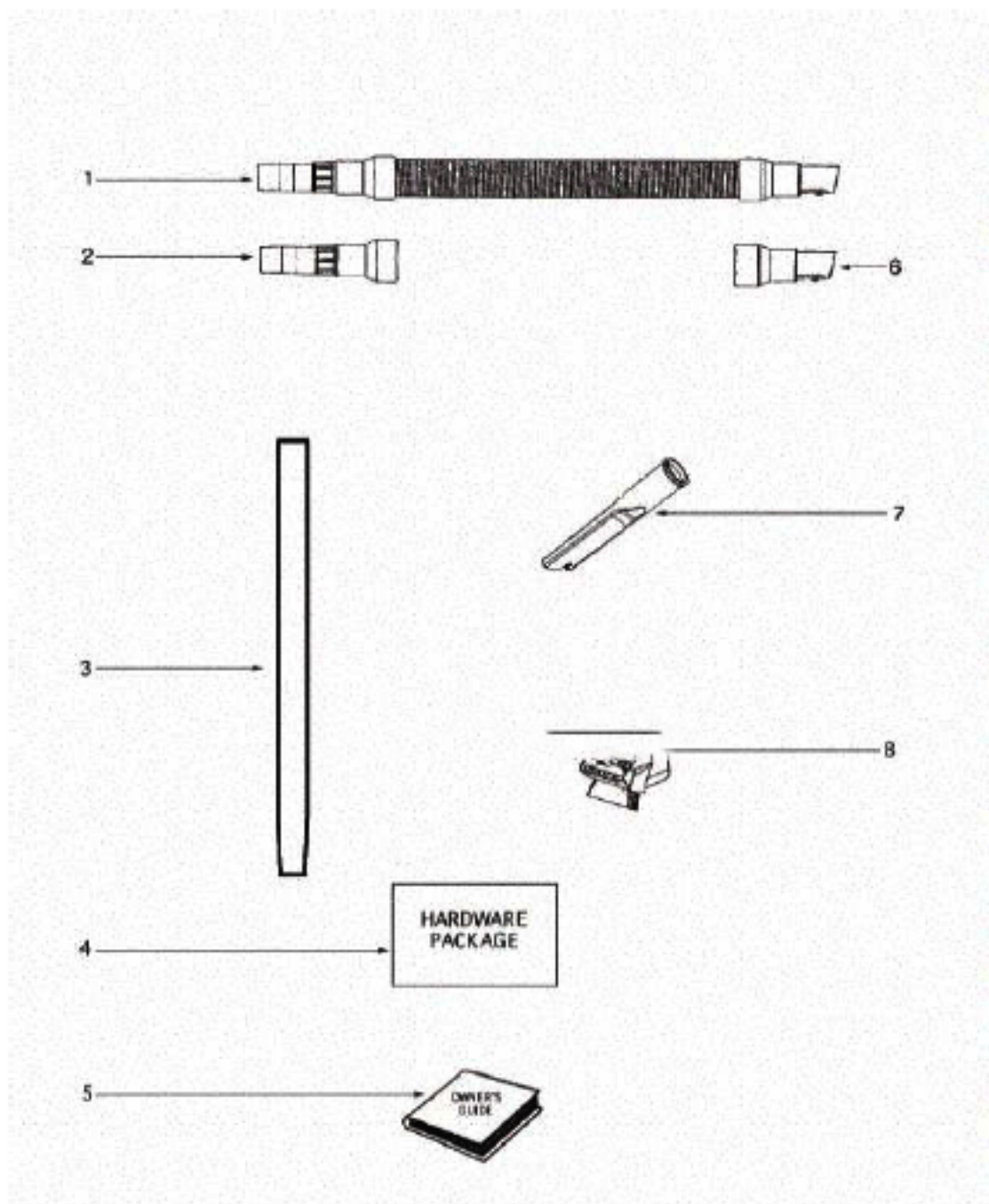
Ref#	Part	Description	Comments	Qty
1	39585-1	SUPPLY CORD & TERMINAL AS		
2	71645	SHIELD - SWITCH		
3	28457-8	FILTER FRAME & GRAPHICS A		
4	61500	HEPA FILTER PKG - STYLE H		
5	71608A-119N	HOUSING - REAR		
6	38688A	MOTOR SHIELD		
7	72224-1	FOAM - SOUND		
8	38696	SHIELD - LIGHT		
9	61432-9	MOTOR COVER ASSY W/O LENS		
10	15072-313N	LENS - MOTOR COVER		
11	60068-2	SCREW PACKAGE		
12	48815	LAMP - HEADLIGHT		
13	38611-1	HEADLAMP SCKT & TERMINAL		
14	60261-11	MOTOR ASSEMBLY - PACKAGED		
15	27552B	GROMMET		
16	38482-119N	CAP - HANDLE		
17	71139-1	HANDLE & CAP ASSEMBLY		
18	53238-44	SCREW PACKAGE	Pkg of 10	
19	53197-1	SCREW PACKAGE	Pkg of 10	
20	15443B-119N	TOOL CADDY		
21	27474C-288N	SWITCH - BUTTON		
22	60134	TORS SPRING PKG		
23	28304A	SWITCH - PUSHBUTTON		
24	60165-1	RETAINING RING PKG		
25	39252-2	THERMOSTAT & TERMINAL ASS		
26	61333	MOTOR FILTER PACKAGE		
27	28425	GRILLE - AIR DUCT		
28	59297SV	GASKET - AIR DUCT		
29	15536A-119N	AIR DUCT		
30	27171A	GASKET		
31	39023	FLANGE - MOTOR INTAKE		
32	27962A	GASKET		



Ref#	Part	Description	Comments	Qty
1	60704-35	FRONT COVER ASSEMBLY - PK		
2	60705-5	UPPER CYCLONE ASSY - PKGD		
5	28099B-119N	FILTER - SCREEN		
6	71568-1	FUNNEL & GASKET ASSEMBLY		
7	60706-3	CYCLONIC CASSETTE ASSY		
8	28131-288N	GRIP - DIRT CUP		
4	39219B-1	CYCLONE GASKET SHEET		
11	59595-1	GASKET - CYCLONE		
12	59297-2SV	GASKET - AIR DUCT		
13	53197-1	SCREW PACKAGE	Pkg of 10	
14	28114-119N	FRAME - FILTER		
15	60696	FILTER PACKAGE		
3			Lower cassette with 60705-5 only.	
10	39219B-1	CYCLONE GASKET SHEET		



Ref#	Part	Description	Comments	Qty
1	27462E-289N	OPERATOR - HEIGHT ADJUSTM		
2	53238-44	SCREW PACKAGE		
3	60069-79	HOOD ASSEMBLY - PACKAGED		
4	60701-11	BASE ASSY - PKGD	Includes Items 1,5,6,7,8,9,17,18,19 & 23	
5	28243A-316N	ADAPTER - BASE		
6	54943	SPRING PACKAGE		
7	14993C-119N	CARRIAGE - WHEEL		
8	39173A-119N	WHEEL - FRONT		
9	71551	AXLE - WHEEL		
10	62228-2	BRUSHROLL ASSEMBLY - CART		
14	38479-4	HOSE - COMPRESSION (PURCH		
15	27467A-289N	RELEASE - HANDLE		
16	60133	COMPRESSION SPRING - PACK		
17	27493A-119N	WHEEL - REAR		
18	54432-1	PACKAGE - RETAINING RING		
19	38590A	AXLE - REAR		
20	58506-4	GASKET		
21	61120A	BELT PKG ASSY-STYLE U EXT		
22	54376-2	BELT CAP & GASKET - PACKA		
23	57569	GASKET - FELT		
24	53197-1	SCREW PACKAGE	Pkg of 10	
11	15591A-289N	GUARD - FURNITURE		
13	27468D-119N	CUFF - HOSE		
25	38420-2	CLAMP		



Ref#	Part	Description	Comments	Qty
1	61028-1	HOSE ASSEMBLY - CARTONED		
2	37057B-3	COUPLING - HOSE		
3	13104-4	WAND - STRAIGHT		
4	59930B	PACKAGE - HARDWARE		
5	70239C			
6	27461B-119N	ADAPTER - HOSE		
7	27237-3	TOOL - CREVICE		
8	61037	COMBINATION TOOL - PACKAG		