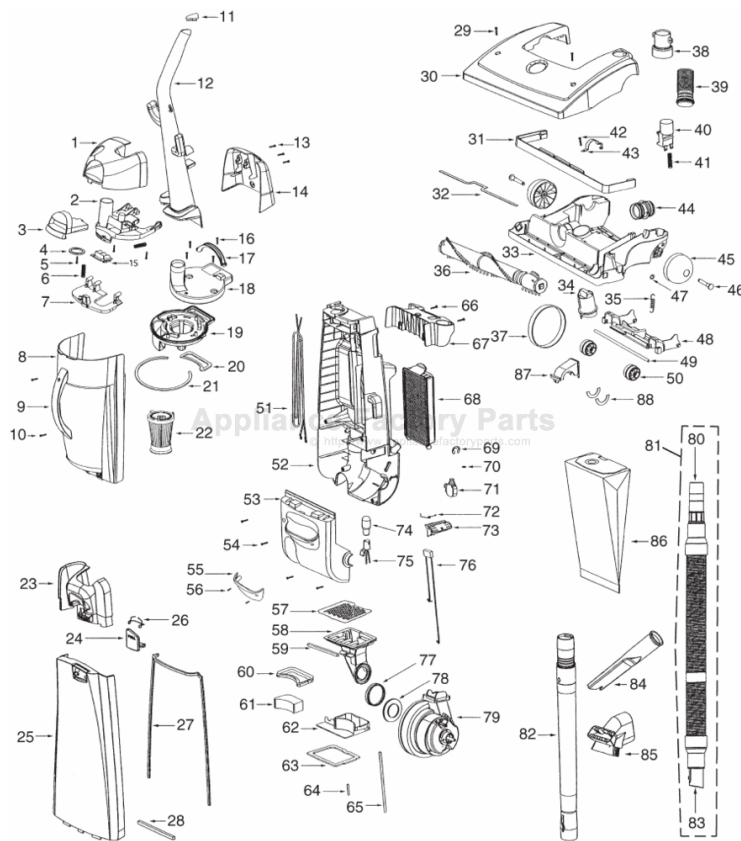


This Owner's Manual is provided and hosted by [Appliance Factory Parts](http://ApplianceFactoryParts.com).



Eureka 4654AT Owner's Manual

[Shop genuine replacement parts for Eureka 4654AT](#)



[Find Your Eureka Vacuum Cleaner Parts - Select From 855 Models](#)

----- Manual continues below part list -----

Available Replacement Parts for Eureka 4654AT

| | |
|-------------------------------|-------------------------------------|
| e-39266 | BELT OEM EUREKA EXTENED LIFE 1 PACK |
| ER-1875 | EUREKA HF9 HEPA FILTER |
| E-60844-5 | BRUSH ROLL, 12 INCH UPRIGHT |
| E-58236 | BAG EUREKA OEM AA 3 PACK |
| E-54943 | Spring, |
| E-39173A-119N | Front wheel |
| E-27237-3 | CREVICE TOOL |
| ER-2028 | ROLLER |

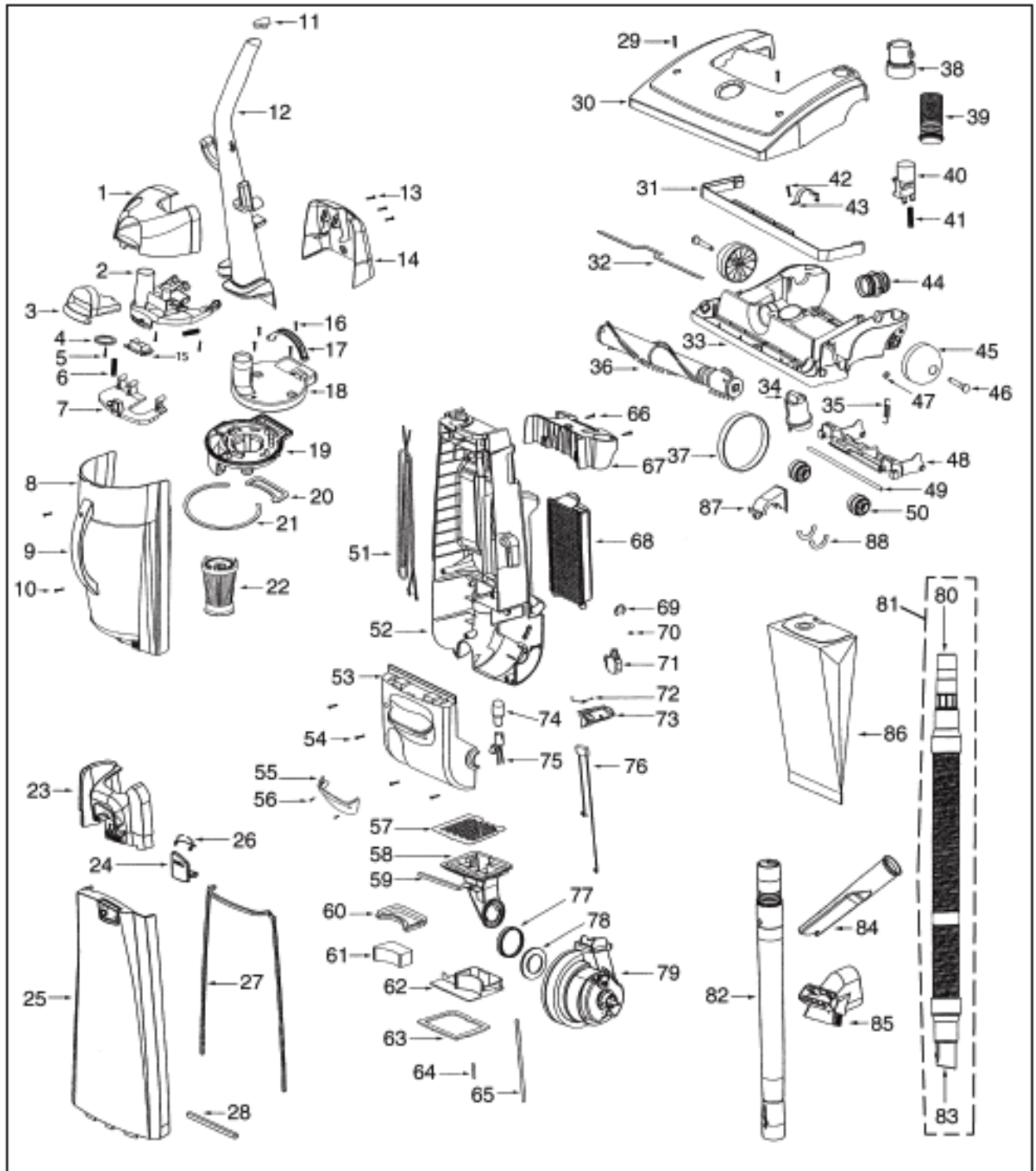
EUREKA Original & Replacement

VICTORY & VICTORY WHIRLWIND UPRIGHT

Paper Bag Models 4660AT, 4670AT, 4670AT-1, 4672ATV, 4674AT, 4675AT, 4675AT-1

12" Dirt Cup Models 4640AV, 4641AVC, 4641AVC-1, 4654AT, 4654BT, 4654BT-1

14" Dirt Cup Models 4680AT, 4680AT-1, 4680AT-2, 4680AT-3, 4680ATF, 4682AT-1, 4684AT, 4684AT-1, 4684B, 4685AT, 4685AT-1, 4685AT-2, 4686ATV, 4686ATV-1, 4686ATV-2, 4687AT, 4687AT-1, 4688ATV, 4689ATV, 4689ATV-1, 4696AV



Original & Replacement **EUREKA**

VICTORY & VICTORY WHIRLWIND UPRIGHT

Paper Bag Models 4660AT, 4670AT, 4670AT-1, 4672ATV, 4674AT, 4675AT, 4675AT-1

12" Dirt Cup Models 4640AV, 4641AVC, 4641AVC-1, 4654AT, 4654BT, 4654BT-1

14" Dirt Cup Models 4680AT, 4680AT-1, 4680AT-2, 4680AT-3, 4680ATF, 4682AT-1, 4684AT, 4684AT-1, 4684B, 4685AT, 4685AT-1, 4685AT-2, 4686ATV, 4686ATV-1, 4686ATV-2, 4687AT, 4687AT-1, 4688ATV, 4689ATV, 4689ATV-1, 4696AV

| KEY | PART NO. | DESCRIPTION | KEY | PART NO. | DESCRIPTION |
|-----|----------------|---------------------------|-----|----------------|------------------------------|
| 1 | E-61365-6 | Top Cover | 42 | E-53197-1 | Screw |
| 2 | E-15687-119N | Top Support - Hinged | 43 | E-38420-2 | Clamp |
| 3 | E-39347A-288N | Latch | 44 | E-28243A-316N | Hose Adaptor |
| 4 | E-70644 | Gasket | 45 | E-39280B-119N | Rear Wheel |
| 5 | E-53197-1 | Screw | 46 | E-38590A | Rear Axle |
| 6 | E-60133 | Spring | 47 | E-54432 | Wheel Retainer |
| 7 | E-28462-119N | Front Handle Bracket | 48 | E-14993C-119N | Front Wheel Carriage |
| 8 | E-61316-12 | Dirt Cup | 49 | E-71551 | Front Wheel Axle |
| 9 | E-28460-313N | Dirt Cup Handle | 50 | E-39173A-119N | Front Wheel |
| 10 | E-53197-3 | Screw | 51 | E-38880-17 | Power Cord |
| 11 | E-38482A-119N | Handle Cap | 52 | E-60703-2 | Rear Housing |
| 12 | E-71139-1 | Handle Assembly | 53 | E-61432-1 | Motor Cover |
| 13 | E-53197-1 | Screw | 54 | E-53197-1 | Screw |
| 14 | E-28463-119N | Rear Handle Bracket | 55 | E-15072-313N | Lens |
| 15 | E-70857-119N | Spring Support Cover | 56 | E-39349 | Screw |
| 16 | E-53197-1 | Screw | 57 | E-39361A | Grille |
| 17 | E-70856-333N | Plenum Handle | 58 | E-38883A-119N | Duct |
| 18 | E-28461-288N | Plenum Cover | 59 | E-60703-27 | Gasket |
| 19 | E-15688-288N | Cyclone | 60 | E-61432-1 | Gasket |
| 20 | E-39350 | Gasket | 57 | E-39348 | Pre-Motor Filter |
| 21 | E-39351 | Gasket | 68 | E-39348-119N | Intake Adaptor |
| 22 | E-61805 | Dust Cup Filter | 67 | E-39349 | Gasket |
| 22 | ER-1815 | Dust Cup Filter | 64 | E-39361A | Tube Adaptor |
| 23 | E-61423-2 | Front handle Cover | 65 | E-59362B | Tube |
| 24 | E-28256-288N | Bag Cover Latch | 66 | E-53197-1 | Screw |
| 25 | E-61424-8 | Bag Cover | 67 | E-15443A-119N | Tool Caddy |
| 26 | E-39268 | Spring | 68 | E-60285 | HEPA Filter |
| 27 | E-71005 | Gasket | 68 | ER-1825 | HEPA Filter |
| 28 | E-38813 | Gasket | | E-61505 | HEPA Filter Style HF4 4660AT |
| 29 | E-53197-1 | Screw | | E-27549-288N | Filter Door 4660AT |
| 30 | E-54933-79 | Hood 12" Bagless Models | 69 | E-70521 | Retainer Ring |
| 30 | E-61364-3 | Hood 14" Bagless Models | 70 | E-60613 | Push On Nut |
| 30 | E-61364-15 | Hood 14" Paper Bag Models | 71 | E-28304A | Switch |
| 31 | E-15237A-288N | Nozzle bumper 12" Models | 72 | E-60134 | Torsion Spring |
| 31 | E-15591-288N | Nozzle bumper 14" Models | 73 | E-27474C-288N | Switch Button |
| 32 | E-58508-1 | Gasket | 74 | E-48815 | Bulb |
| 33 | E-60843-10 | Base Assembly 12" | 75 | E-38811-1 | Headlight Socket |
| 33 | E-60701-11 | Base Assembly 14" | 76 | E-39252-2 | Thermostat |
| 34 | E-27462E-288N | Height Adjustment Knob | 77 | E-27171A | Gasket |
| 35 | E-54943 | Spring | 78 | E-39023 | Motor Intake Flange |
| 36 | E-54941-1 | Brushroll 12" | 79 | E-60625-4 | Motor |
| 36 | ER-2020 | Brushroll 12" | 80 | E-37057A-3 | Hose Coupling |
| 36 | E-54847 | Brushroll 14" | 81 | E-61324-1 | Hose Complete |
| 36 | ER-2025 | Brushroll 14" | 82 | E-58728B | Nesting Wands |
| 37 | E-39266 | Belt | 83 | E-39279-333N | Hose Connector |
| 37 | E-61120 | Belt 2 Pk | 84 | E-26708-119N | Crevice Tool |
| 38 | E-27468D-119N | Hose Cuff | 85 | E-61037 | Combination Tool |
| 39 | E-38479-4 | Nozzle Hose | 86 | E-58236 | Paper Bag Style AA 3 Pk |
| 40 | E-27467A-288N | Handle Release | 87 | E-54376-2 | Belt Cover |
| 41 | E-60133 | Spring | 88 | E-57569 | Belt Cover Felt |