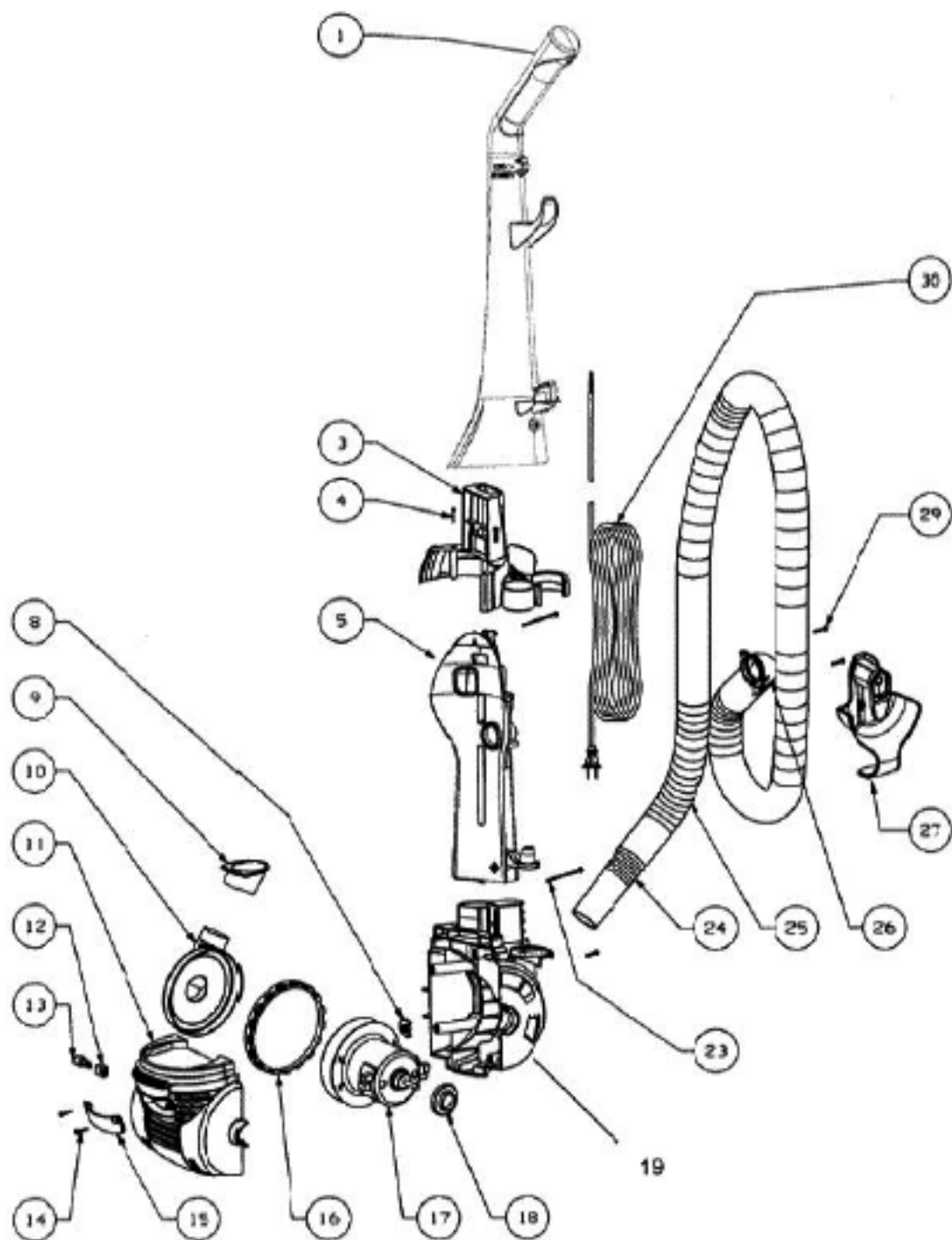


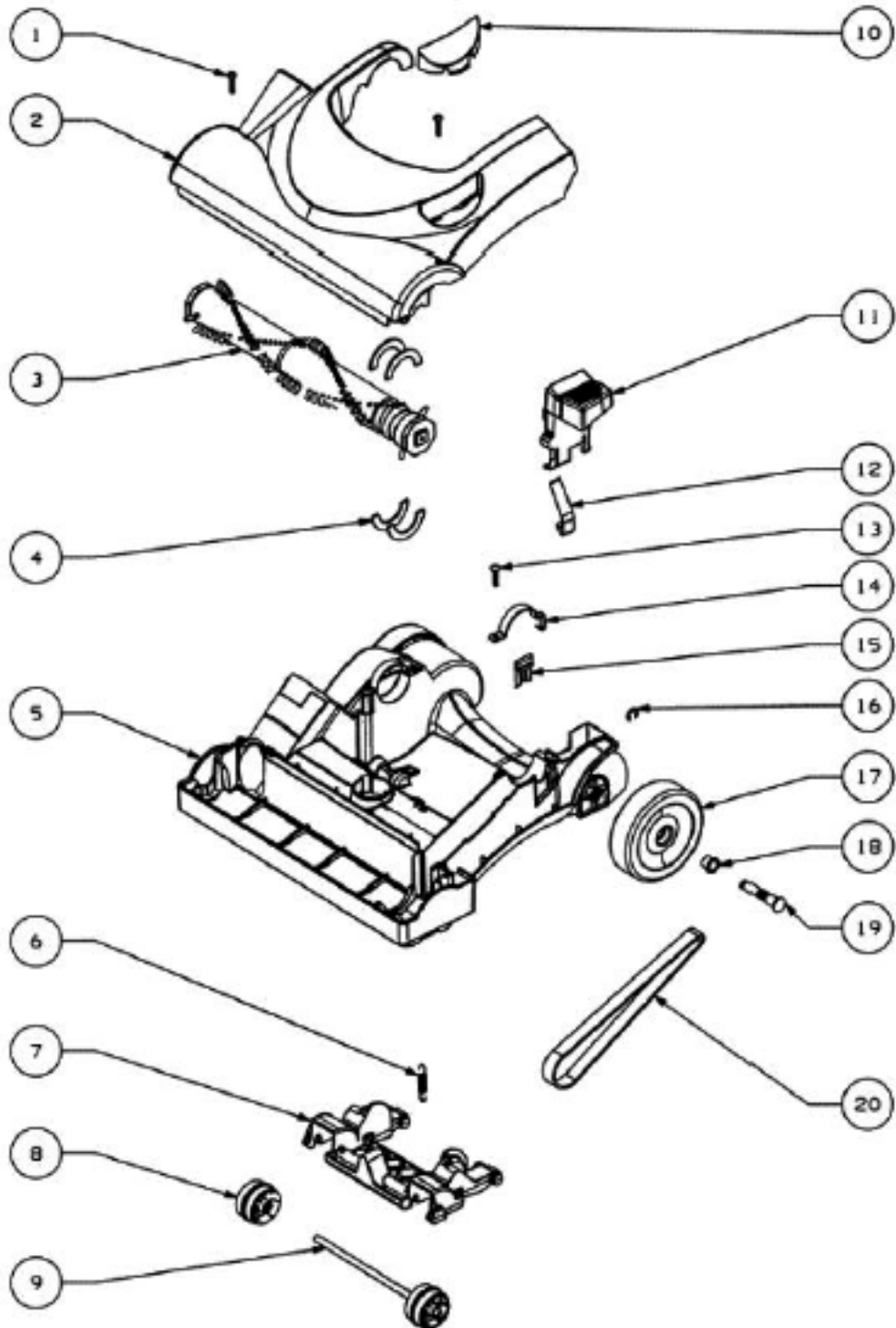
Main Body - 4703A



Main Body - 4703A

Ref #	Part	Description	Comments	Qty
1	74848-5	UPPER HANDLE ASSEMBLY		
3	74852-426N	TOOL CADDY		
4	74846-1	Screw - Pan PH Plascrow		
5	62561-2	BACKBONE ASSEMBLY		
8	63202	WASHER PACKAGE		
9	74836	GASKET - MOTOR INLET		
10	74834-119N	DUCT - AIR		
11	74829-426N	COVER - MOTOR (FRONT)		
13		NOT ON THIS MODEL		
14	74846-1	Screw - Pan PH Plascrow		
15	74830-426N	LENS		
16	74835	GASKET - MOTOR DUCT		
17	62568	MOTOR ASSY.		
18	75094	BUSHING - MOTOR		
19	63346-8	REAR MOTOR COVER ASSEMBLY	Includes pedal switch.	
23	74846-2	SCREW - PAN HD PLASCREW		
24	74855-355N	WAND - SHORT		
25	74854-355N	HOSE-BLOW MOLDED		
26	74856-313N	ADAPTER HOSE		
27	75196-3	LOWER HOSE RETAINER ASSEM		
29	74846-1	Screw - Pan PH Plascrow		
30	74838-3	SUPPLY CORD & TERMINAL AS		
31	62293-4	HOSE ASSY.	Includes items 24-26.	

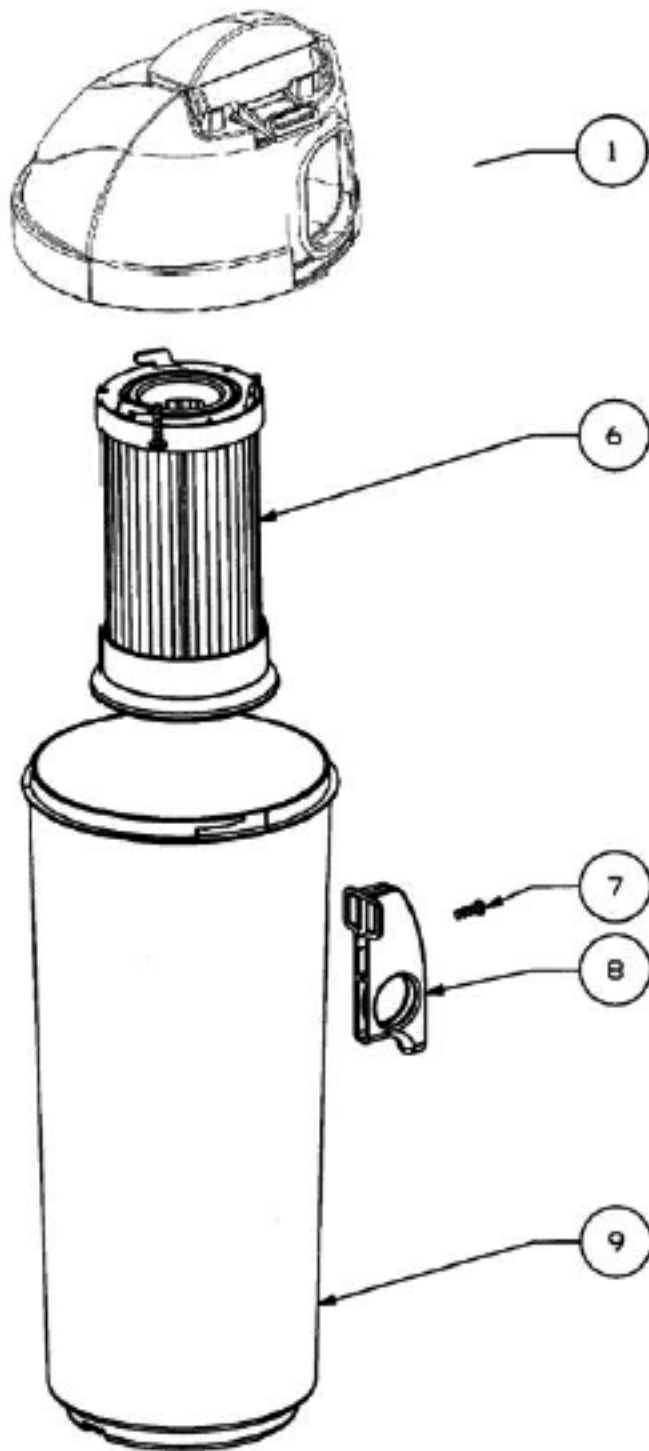
Base and Hood - 4703A



Base and Hood - 4703A

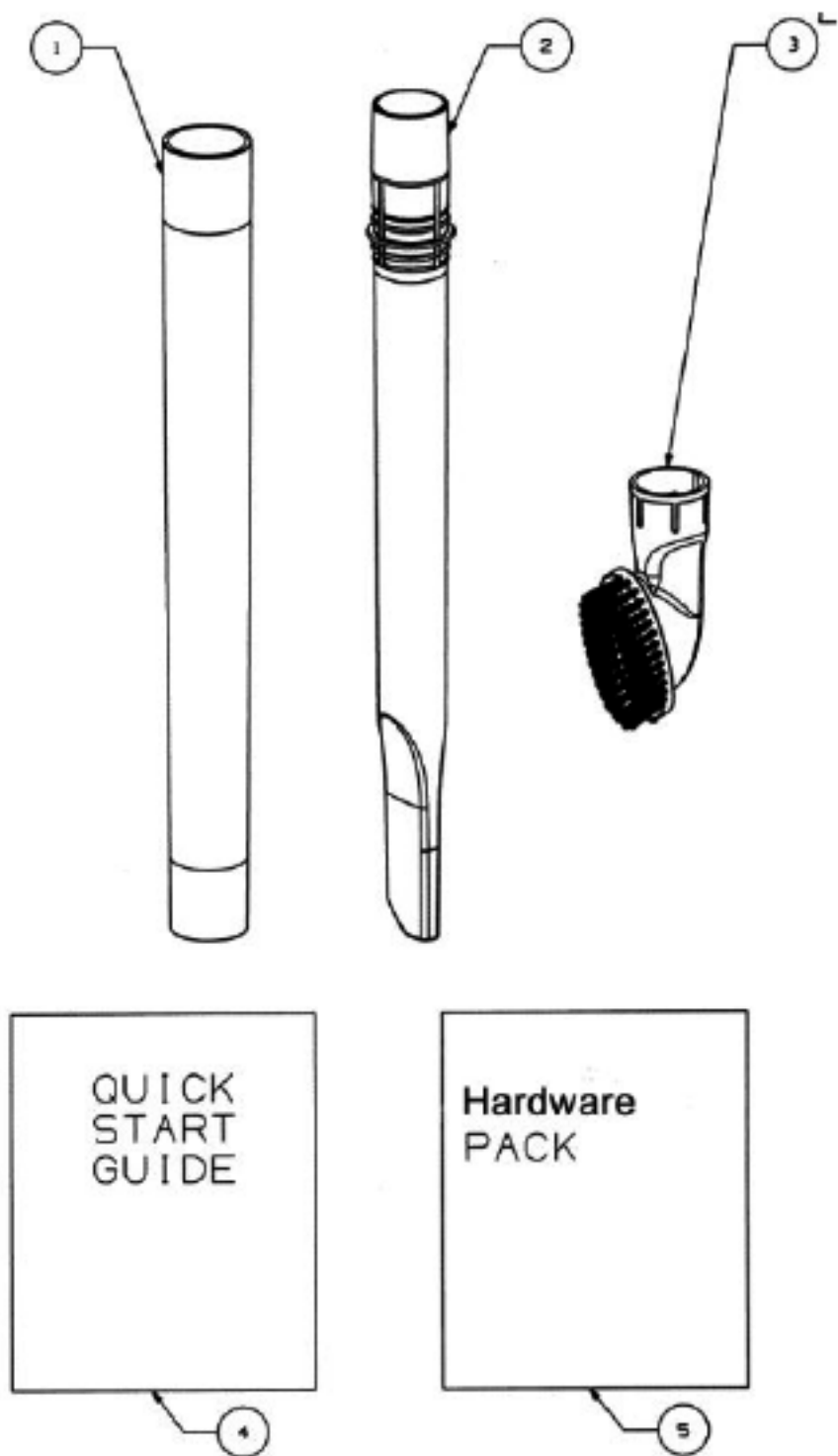
Ref #	Part	Description	Comments	Qty
1	74846-1	Screw - Pan PH Pluscrew		
2	63342-8	HOOD ASSEMBLY - PACKAGED		
3	60844-5	BRUSH ROLL ASSY		
4	74824	NOZZLE FELT		
5	62072-3	BASE ASSY.	Includes items 4-9, 11,12, 15-19.	
6	38698	HEIGHT ADJUSTMENT SPRING		
7	74817-365N	CARRIAGE WHEEL		
8	74818-365N	WHEEL - FRONT		
9	71478	FRONT AXLE		
10	75092-313N	WINDOW - BELT VIEW		
11	74820-365N	CUP RELEASE LATCH		
12	74821	HANDLE RELEASE PLATE		
13	EW312-8T12ZP	SCREW PACKAGE		
14	74825	CLAMP - MOTOR		
15	74822	GUARD - BELT		
16	75096	RETAINER - REAR WHEEL		
17	74816-365N	WHEEL-REAR		
18	75097	BUSHING - AXLE		
19	75095	AXLE - REAR		
20	61120B	BELT PKG ASSY-STYLE U EXT		

Dust Cup - 4703A



Dust Cup - 4703A

Ref #	Part	Description	Comments	Qty
1	75188-9	COVER & GRAPHICS ASSEMBLY		
6	62132	DCF-H FILTER		
7	74846-1	Screw - Pan PH Pluscrew		
8	62560	DUST CUP HANDLE	Includes item 7.	
9	74857-7	DUST CUP ASSEMBLY	Includes item 8.	



Accessories - 4703A

Ref #	Part	Description	Comments	Qty
1	71973-119N	WAND-OUTER		
2	71956A-119N	WAND-CREVICE		
3	60990-3	COMBINATION TOOL		
4	77418			
5	75193	HARDWARE PACKAGE		
6	71492A	NESTED WAND	Includes items 1 and 2.	