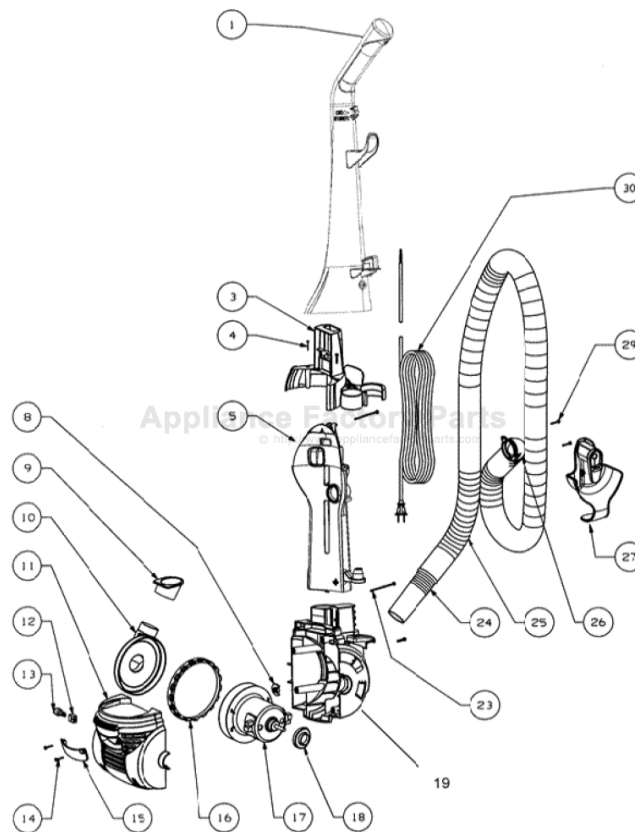


This Owner's Manual is provided and hosted by [Appliance Factory Parts](#).



Eureka 4709AZ Owner's Manual

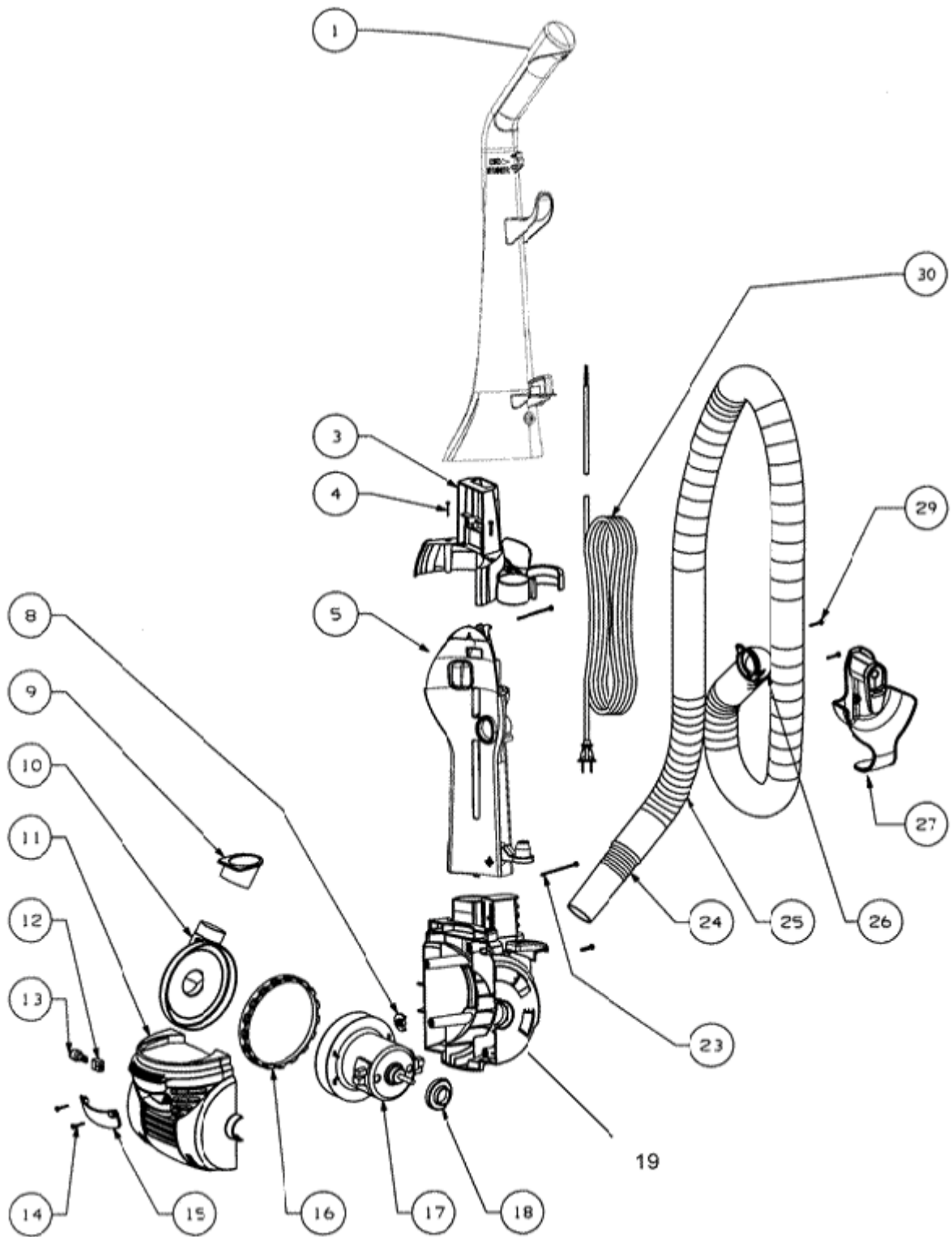
[Shop genuine replacement parts for Eureka 4709AZ](#)



[Find Your Eureka Vacuum Cleaner Parts - Select From 853 Models](#)

----- Manual continues below -----

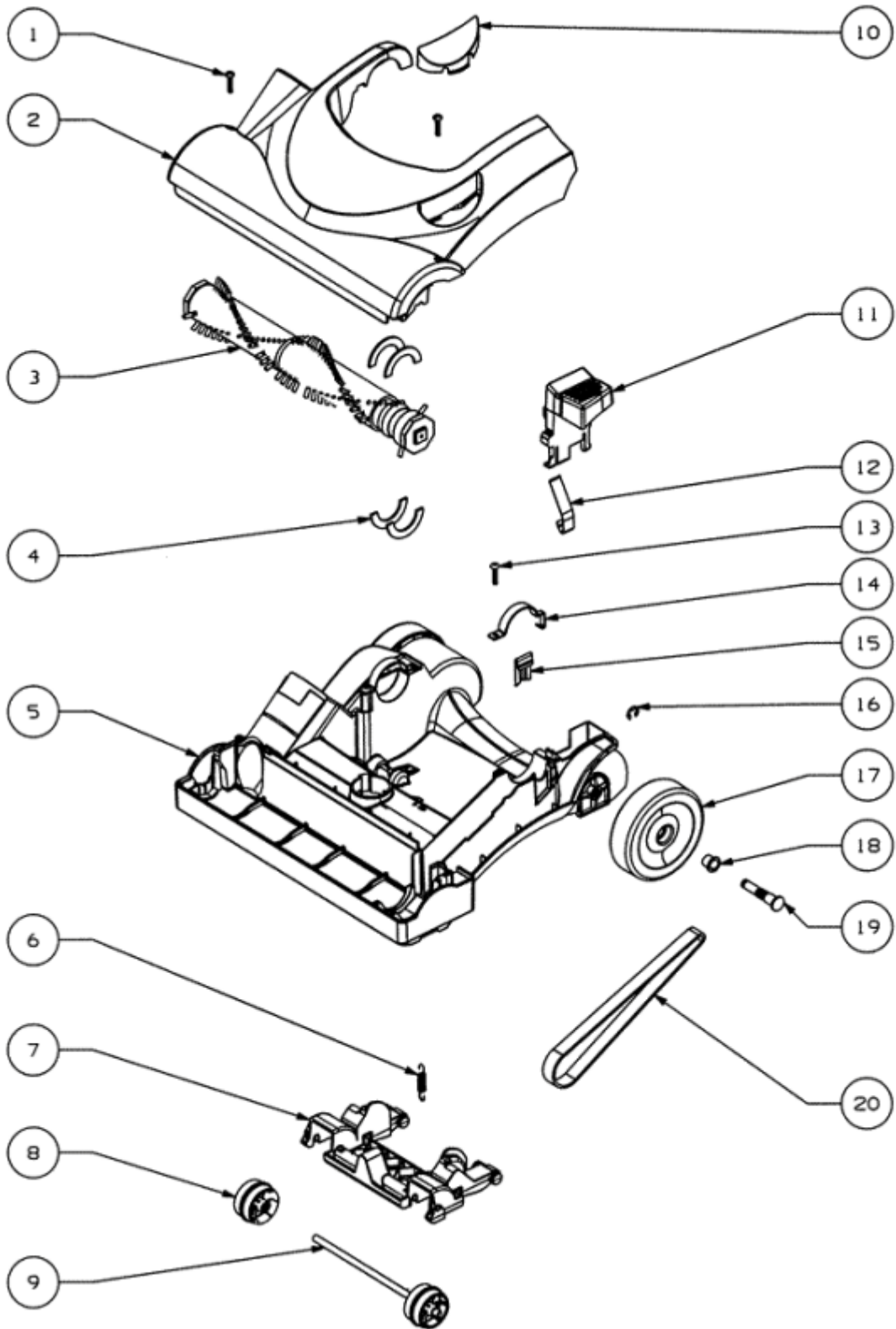
Main Body - 4709AZ



Main Body - 4709AZ

Ref #	Part	Description	Comments	Qty
1	75956-6	UPPER HANDLE ASSEMBLY		
3	74852-644N	TOOL CADDY		
4	74846-1	SCREW - PAN HD PLASCREW		
5	62561	BACKBONE ASSEMBLY		
8	63202	WASHER PACKAGE		
9	74836	GASKET - MOTOR INLET		
10	74834-119N	DUCT - AIR		
11	74829-644N	COVER - MOTOR (FRONT)		
13	57940-3	LAMP - HEADLIGHT		
14	74846-1	SCREW - PAN HD PLASCREW		
15	74830-313N	LENS		
16	74835	GASKET - MOTOR DUCT		
17	62568-1	MOTOR ASSEMBLY - PACKAGED		
18	75094	BUSHING - MOTOR		
19	62562-6	REAR MOTOR COVER ASSEMBLY	Includes pedal switch.	
23	74846-2	SCREW - PAN HD PLASCREW		
24	74855-355N	WAND - SHORT		
25	74854-355N	HOSE - BLOW MOLDED		
26	74856-313N	ADAPTOR - HOSE		
27	75195-12	LOWER HOSE RETAINER ASSEM		
29	74846-1	SCREW - PAN HD PLASCREW		
30	74838-1	SUPPLY CORD & TERMINAL AS		
31	62293-4	HOSE ASSEMBLY - CARTONED	Includes items 24-26.	
	74843-1	SWITCH (ROCKTEK)		
	74844-359N	PEDAL - SWITCH		

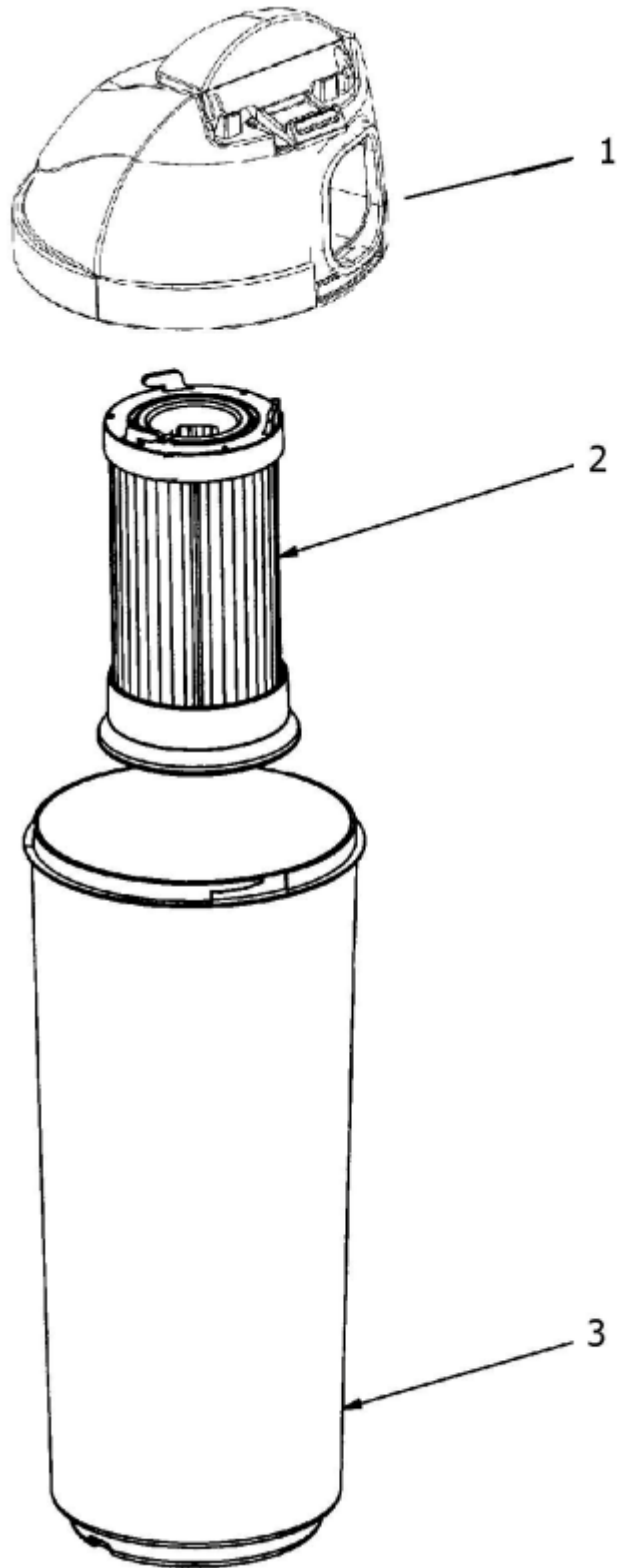
Base and Hood - 4709AZ



Base and Hood - 4709AZ

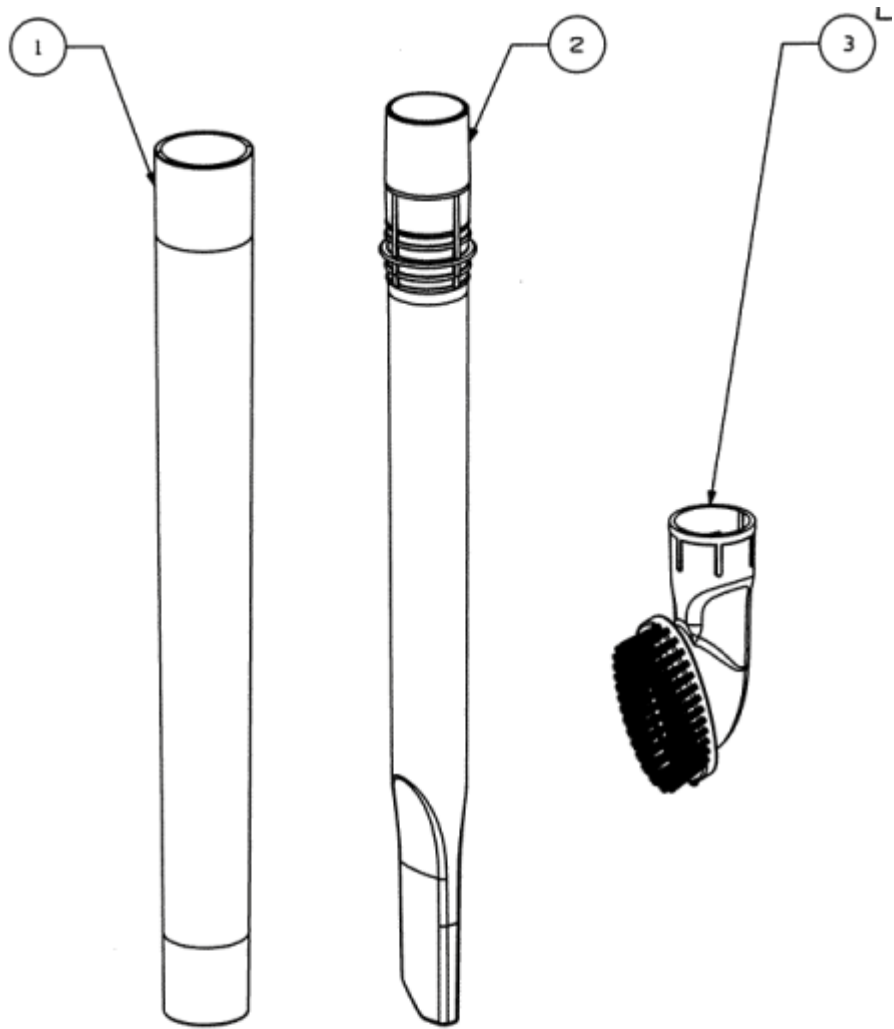
Ref #	Part	Description	Comments	Qty
1	74846-1	SCREW - PAN HD PLASCREW		
2	63342-31	HOOD ASSEMBLY - PACKAGED		
3	60844-5	12" DISTURBULATOR ASSY -		
4	74824	NOZZLE FELT		
5	62072-3	BASE ASSEMBLY - PACKAGED	Includes items 4-9, 11,12, 15-19.	
6	38698	SPRING PACKAGE		
7	74817-355N	CARRIAGE - WHEEL		
8	74818-355N	WHEEL - FRONT		
9	71478	AXLE - FRONT		
10	75092-313N	WINDOW - BELT VIEW		
11	74820-355N	RELEASE - HANDLE		
12	74821	HANDLE RELEASE PLATE		
13	EW312-8T12ZP	SCREW PACKAGE		
14	74825	CLAMP - MOTOR		
15	74822	GUARD - BELT		
16	75096	RETAINER - REAR WHEEL		
17	74816-355N	WHEEL - REAR		
18	75097	BUSHING - AXLE		
19	75095	AXLE - REAR		
20	61120B	BELT PKG ASSY-STYLE U EXT		
	72472-355N	KNOB - HEIGHT ADJUSTMENT		

Dust Cup - 4709AZ



Dust Cup - 4709AZ

Ref #	Part	Description	Comments	Qty
1	75188-22	COVER & GRAPHICS ASSEMBLY		
2	62132	DCF-H FILTER		
3	80071-14	DUST CUP, DUMP & GRAPHICS		



Accessories - 4709AZ

Ref #	Part	Description	Comments	Qty
1	77507-366N	WAND - OUTER		
2	77506-366N	WAND - CREVICE		
3	78217-1	COMBINATION BRUSH - BRIST		
4	77418A	OWNERS GUIDE		
5	75193	PACKAGE - HARDWARE		
6	77505-1	NESTING WAND ASSEMBLY	Includes items 1 and 2.	
	75391-16	TURBO NOZZLE ASSEMBLY		