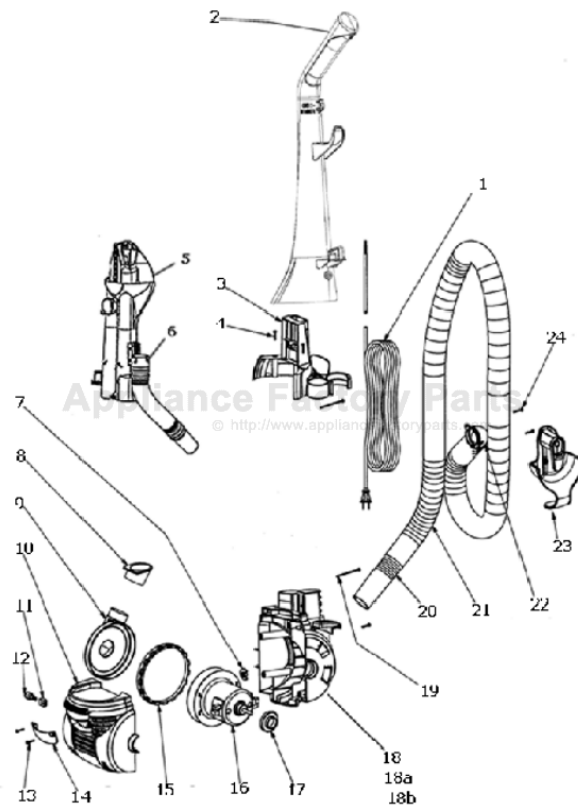


This Owner's Manual is provided and hosted by [Appliance Factory Parts](http://www.appliancefactoryparts.com).



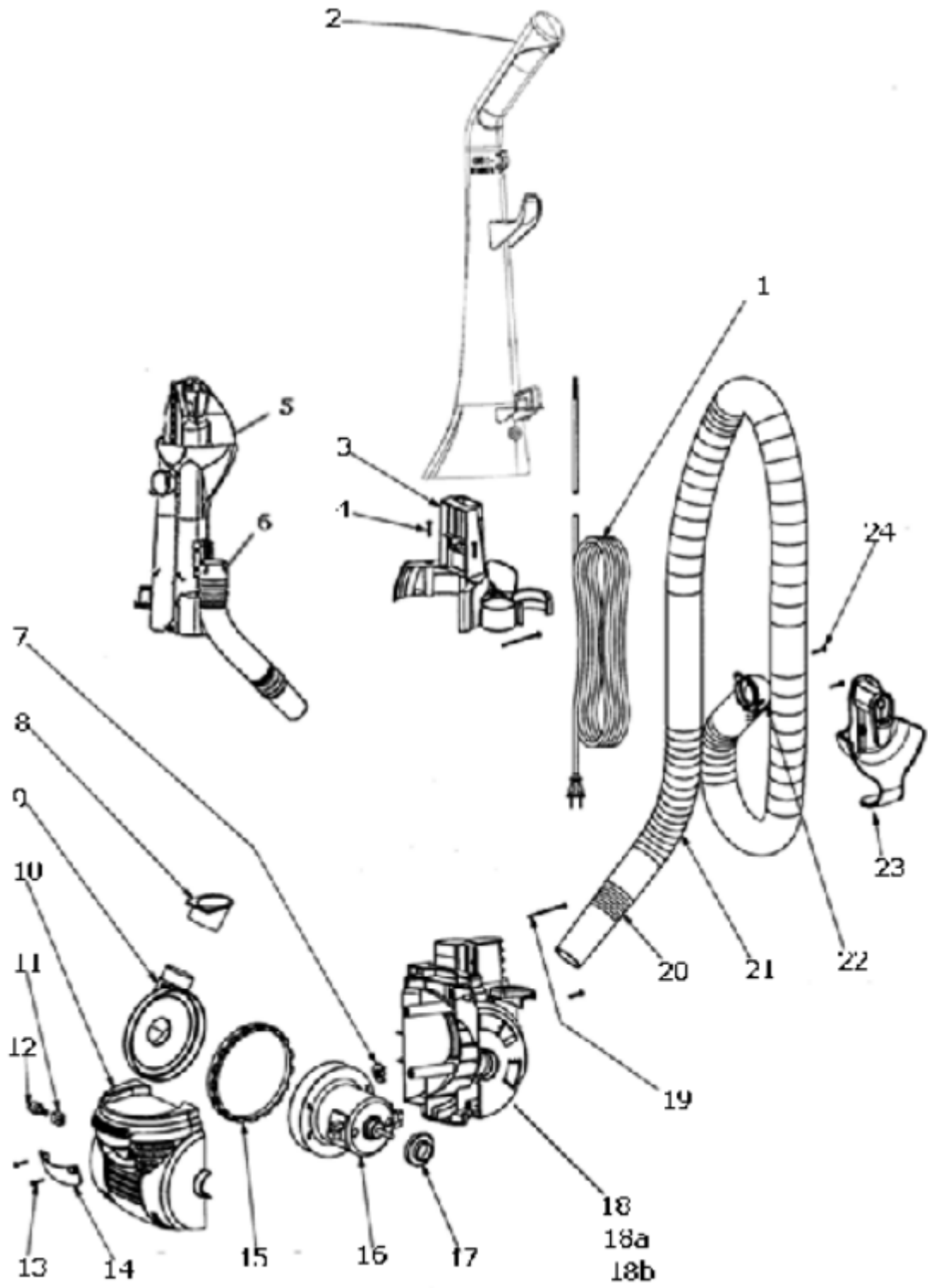
Eureka 4710AV Owner's Manual

[Shop genuine replacement parts for Eureka 4710AV](#)



[Find Your Eureka Vacuum Cleaner Parts - Select From 853 Models](#)

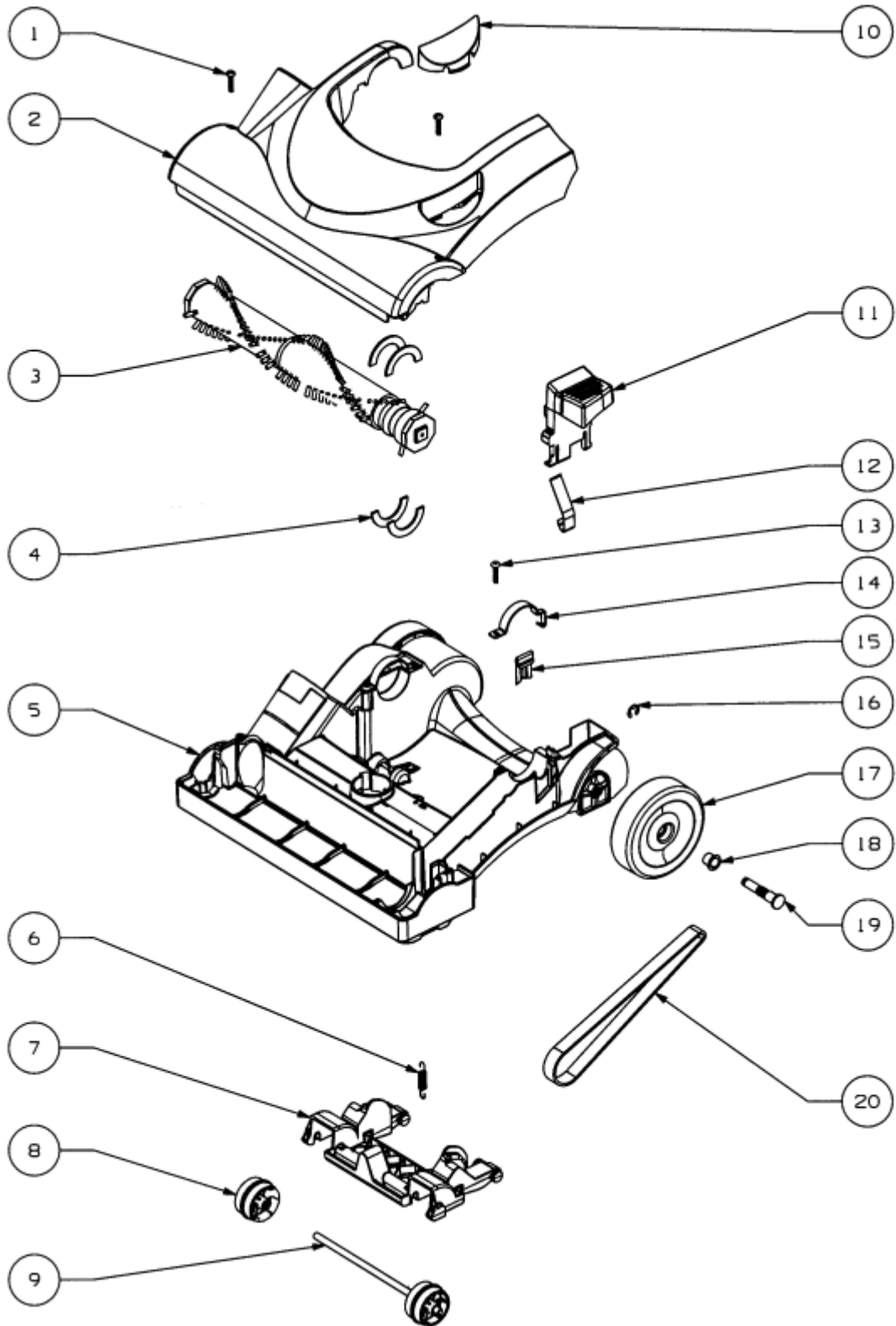
----- Manual continues below -----



Main Body - 4710AV

| Ref # | Part | Description | Comments | Qty |
|-------|------------|---------------------------|------------------------|-----|
| 1 | 83947-3 | | | |
| 2 | 74848-6 | Upper Handle Assembly | | |
| 3 | 74852-119N | TOOL CADDY | | |
| 4 | 74846-1 | Screw - Pan PH Plascrow | | |
| 5 | 81164A-1 | BACKBONE & BASE HOSE ASSY | | |
| 6 | 81165-119N | ADAPTER - DUSTER HOUSING | | |
| 7 | 63202 | WASHER PACKAGE | | |
| 8 | 74836 | GASKET - MOTOR INLET | | |
| 9 | 74834-119N | DUCT - AIR | | |
| 10 | 74829-549N | COVER - MOTOR (FRONT) | | |
| 11 | 74832 | HEADLAMP SOCKET ASSEMBLY | | |
| 12 | 57940-3 | HEADLIGHT | | |
| 13 | 74846-1 | Screw - Pan PH Plascrow | | |
| 14 | 74830-313N | LENS | | |
| 15 | 74835 | GASKET - MOTOR DUCT | Includes pedal switch. | |
| 16 | 62568-1 | MOTOR ASSEMBLY - PACKAGED | | |
| 17 | 75094 | BUSHING - MOTOR | | |
| 18 | 62562-4 | REAR MOTOR COVER ASSEMBLY | | |
| 18a | 74843-1 | SWITCH (ROCKTEK) | | |
| 18b | 74844-359N | Pedal - Switch (NLA) | | |
| 19 | 74846-2 | Screw - Pan PH Plascrow | | |
| 20 | 81169-119N | WAND - LONG | | |
| 21 | 62293-20 | Hose Assembly | | |
| 22 | 74856-313N | ADAPTER HOSE | | |
| 23 | 75195-8 | LOWER HOSE RETAINER ASSEM | | |
| 24 | 74846-1 | Screw - Pan PH Plascrow | | |
| | 75093 | GASKET - DUSTCUP | | |

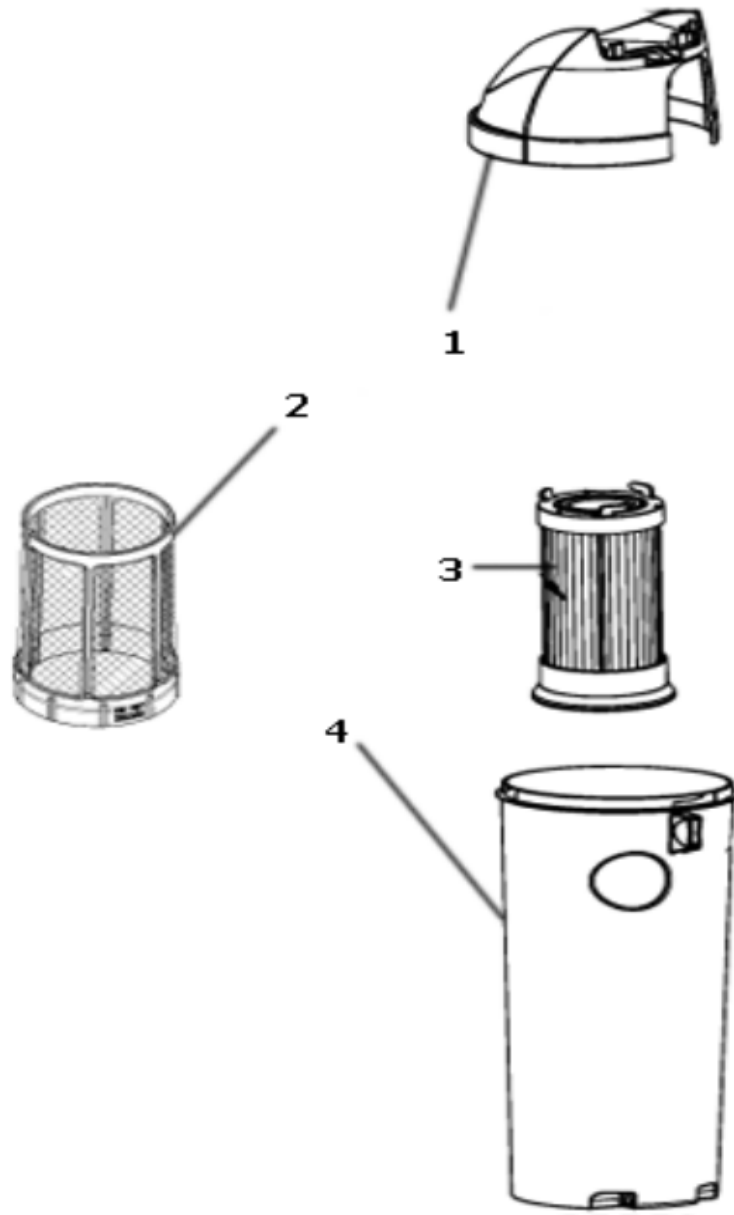
Base and Hood - 4710AV



Base and Hood - 4710AV

| Ref # | Part | Description | Comments | Qty |
|-------|--------------|---------------------------|-----------------------------------|-----|
| 1 | 74846-1 | Screw - Pan PH Plascrow | | |
| 2 | 63612-5 | HOOD ASSEMBLY - PACKAGED | | |
| 3 | 63273 | 12" DISTURBULATOR ASSY - | | |
| 4 | 74824 | NOZZLE FELT | | |
| 5 | 62072-8 | BASE ASSEMBLY - PACKAGED | Includes items 4-9, 11,12, 15-19. | |
| 6 | 38698 | HEIGHT ADJUSTMENT SPRING | | |
| 7 | 74817-355N | CARRIAGE WHEEL | | |
| 8 | 74818-355N | WHEEL - FRONT | | |
| 9 | 71478-2 | AXLE (NLA) | | |
| 10 | 75092-313N | WINDOW - BELT VIEW | | |
| 11 | 74820-355N | CUP RELEASE LATCH | | |
| 12 | 74821 | HANDLE RELEASE PLATE | | |
| 13 | EW312-8T12ZP | SCREW PACKAGE | | |
| 14 | 74825 | CLAMP - MOTOR | | |
| 15 | 74822 | GUARD - BELT | | |
| 16 | 75096 | RETAINER - REAR WHEEL | | |
| 17 | 74816-119N | WHEEL - REAR | | |
| 18 | 75097A | BUSHING-AXLE | | |
| 19 | 75095 | AXLE - REAR | | |
| 20 | 61120B | BELT PKG ASSY-STYLE U EXT | | |
| | 72472-119N | KNOB - HEIGHT ADJUSTMENT | | |

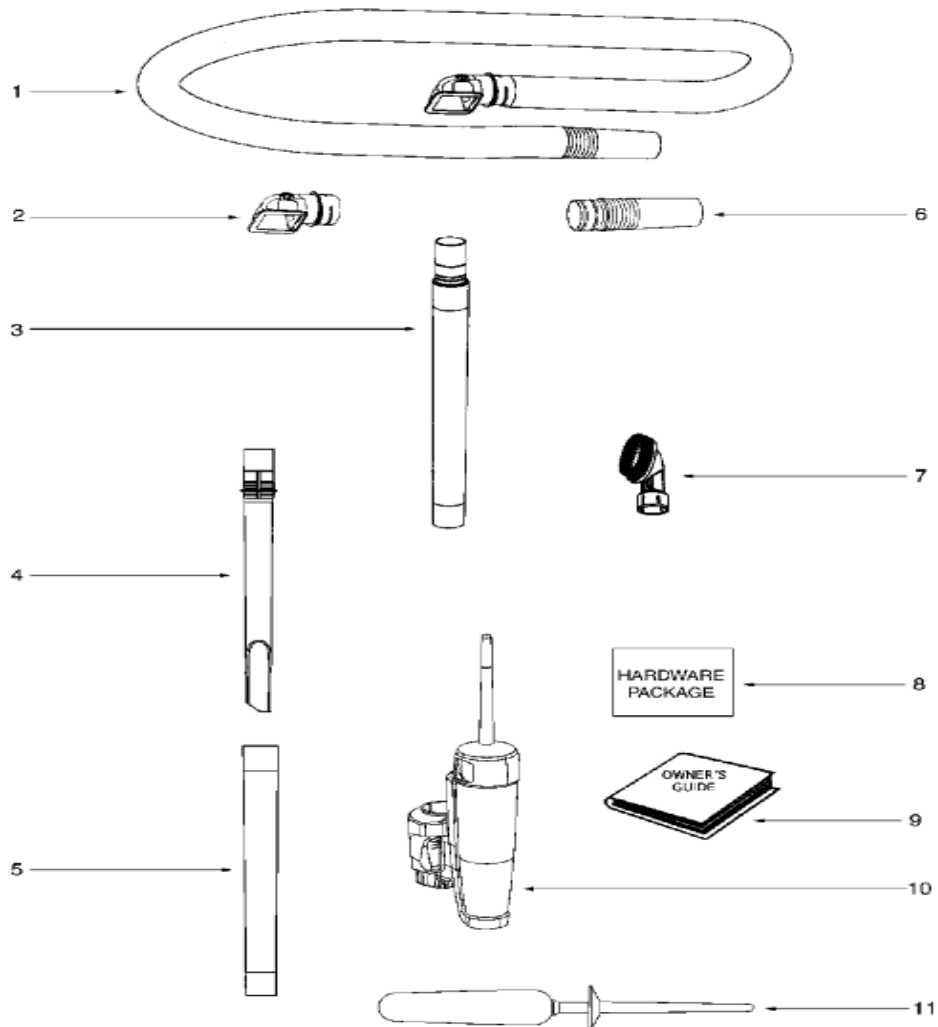
Dust Cup - 4710AV



Dust Cup - 4710AV

| Ref # | Part | Description | Comments | Qty |
|-------|----------|---------------------------|----------|-----|
| 1 | 75188-32 | COVER&GRAPHIC ASSY(4710) | | |
| 2 | | | | |
| 3 | 28608B-1 | PLEATED FILTER ASSEMBLY | | |
| 4 | 80071-19 | DUST CUP, DUMP & GRAPHICS | | |

Accessories - 4710AV



| Ref # | Part | Description | Comments | Qty |
|-------|------------|------------------------------|----------|-----|
| 1 | 62293-20 | Hose Assembly | | |
| 2 | 74856-313N | ADAPTER HOSE | | |
| 3 | 77505-22 | NESTING WAND ASSEMBLY | | |
| 4 | 77506-355N | WAND-CREVICE | | |
| 5 | 77507-119N | WAND - OUTER | | |
| 6 | 81169-119N | WAND - LONG | | |
| 7 | 78217-1 | COMBINATION BRUSH - BRISTLED | | |
| 8 | 75193 | HARDWARE PACKAGE | | |
| 9 | 81492A | OWNERS GUIDE | | |
| 10 | 75628A-13 | ELECTROSTATIC DUSTER ASSY | | |
| 11 | 77560-7 | ELECTROSTATIC DSTR HANDLE | | |
| | 80002-2 | PET TURBO NOZZLE ASSEMBLY | | |