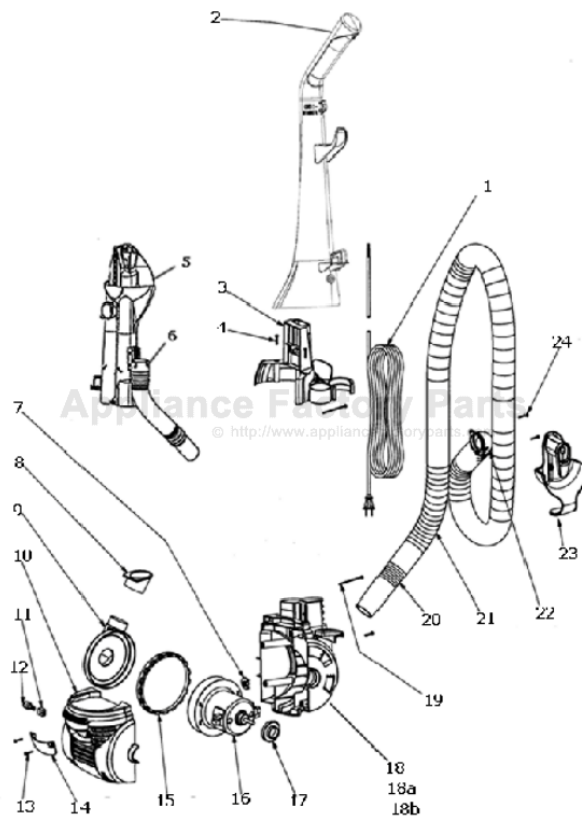


This Owner's Manual is provided and hosted by [Appliance Factory Parts](http://www.appliancefactoryparts.com).



# Eureka 4716AVZ Owner's Manual

[Shop genuine replacement parts for Eureka 4716AVZ](#)



[Find Your Eureka Vacuum Cleaner Parts - Select From 853 Models](#)

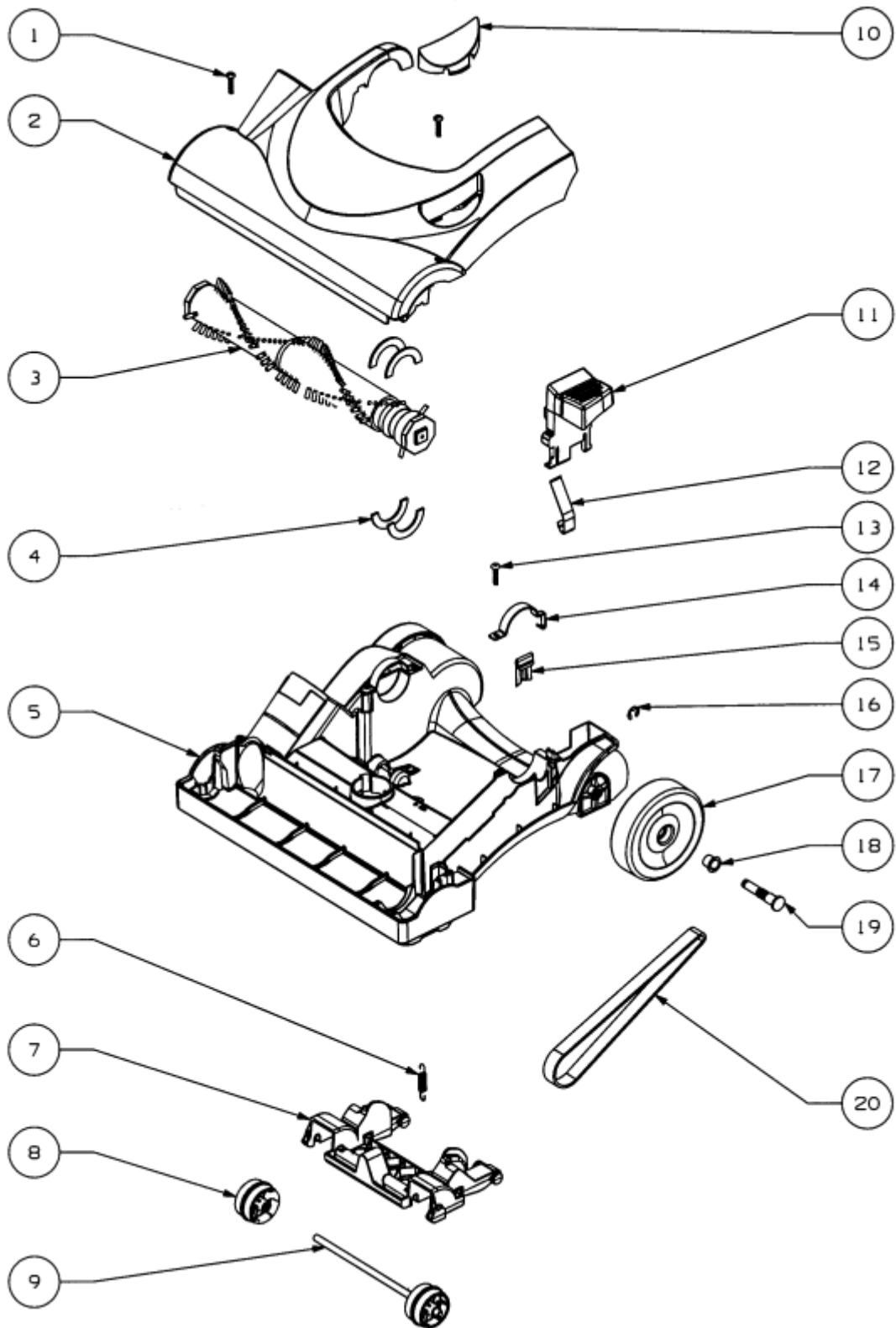
----- Manual continues below -----



## Main Body - 4716AVZ

Ref #	Part	Description	Comments	Qty
	E74838-1	SUPPLY CORD & TERMINAL AS		
2	E-75956-1	UPPER HANDLE ASSEMBLY		
3	E-75958-355N	TOOL CADDY		
4	E-74846-1	SCREW - PAN HD PLASCREW		
5	E-81164			
6	E-81165-355N			
7	E-63202	WASHER PACKAGE		
8	E-74836	GASKET - MOTOR INLET		
9	E-74834-119N	DUCT - AIR		
10	E-74829-501M	COVER - MOTOR (FRONT)		
11	E-74832	HEADLAMP SOCKET ASSEMBLY		
12	E-57940-3	LAMP - HEADLIGHT		
13	74846-1	SCREW - PAN HD PLASCREW		
14	E-74830-313N	LENS		
15	E-74835	GASKET - MOTOR DUCT	Includes pedal switch.	
16	E-62568-1	MOTOR ASSEMBLY - PACKAGED		
17	E-75094	BUSHING - MOTOR		
18	E-62562-4			
18a	E-74843-1	SWITCH (ROCKTEK)		
18b	E-74844-359N	PEDAL - SWITCH		
19	E-74846-2	SCREW - PAN HD PLASCREW		
20	E-81169-355N	WAND - LONG		
21	E-62293-17			
22	E-74856-313N	ADAPTOR - HOSE		
23	E-75195-11	LOWER HOSE RETAINER ASSEM		
24	E-74846-1	SCREW - PAN HD PLASCREW		

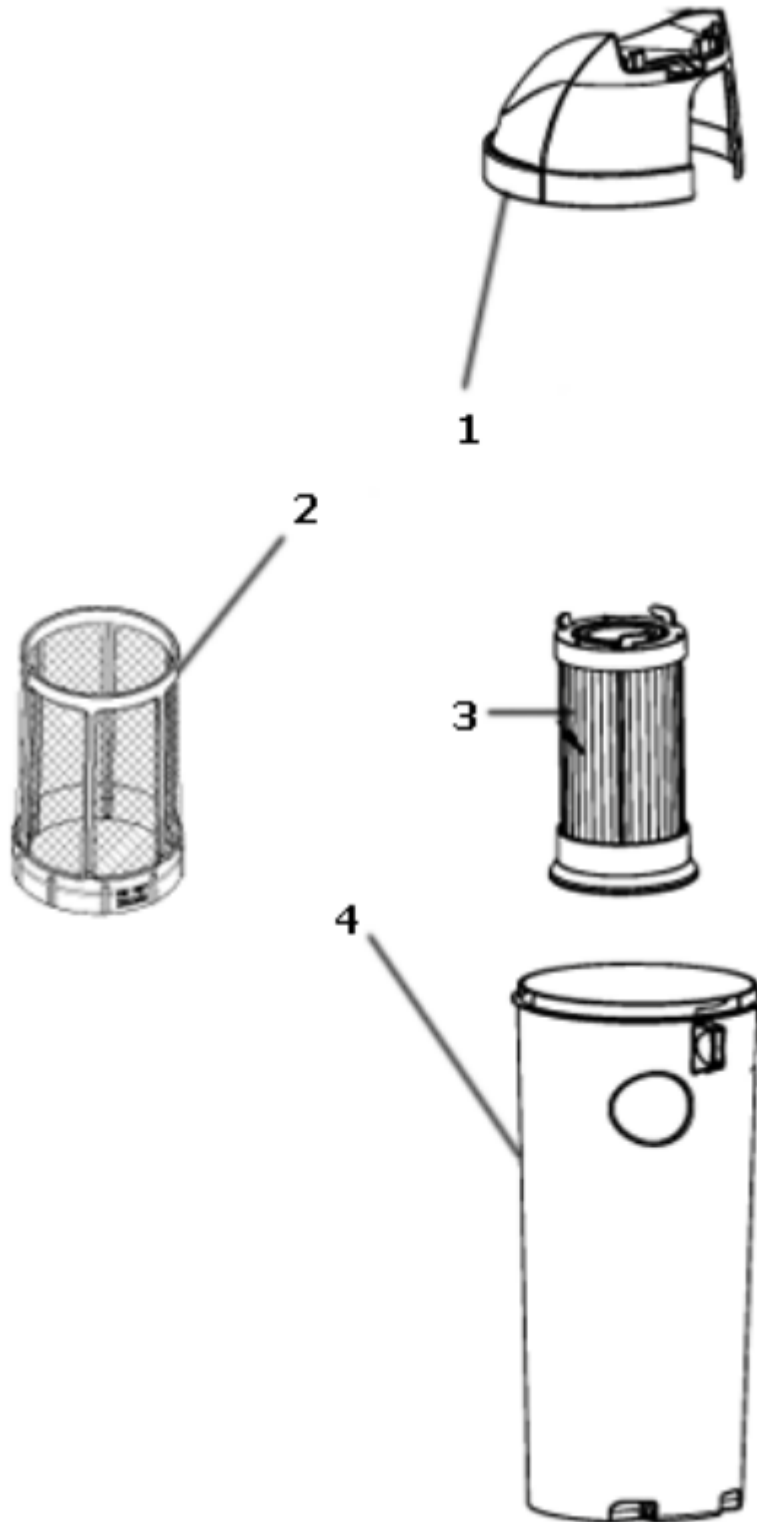
Base and Hood - 4716AVZ



Base and Hood - 4716AVZ

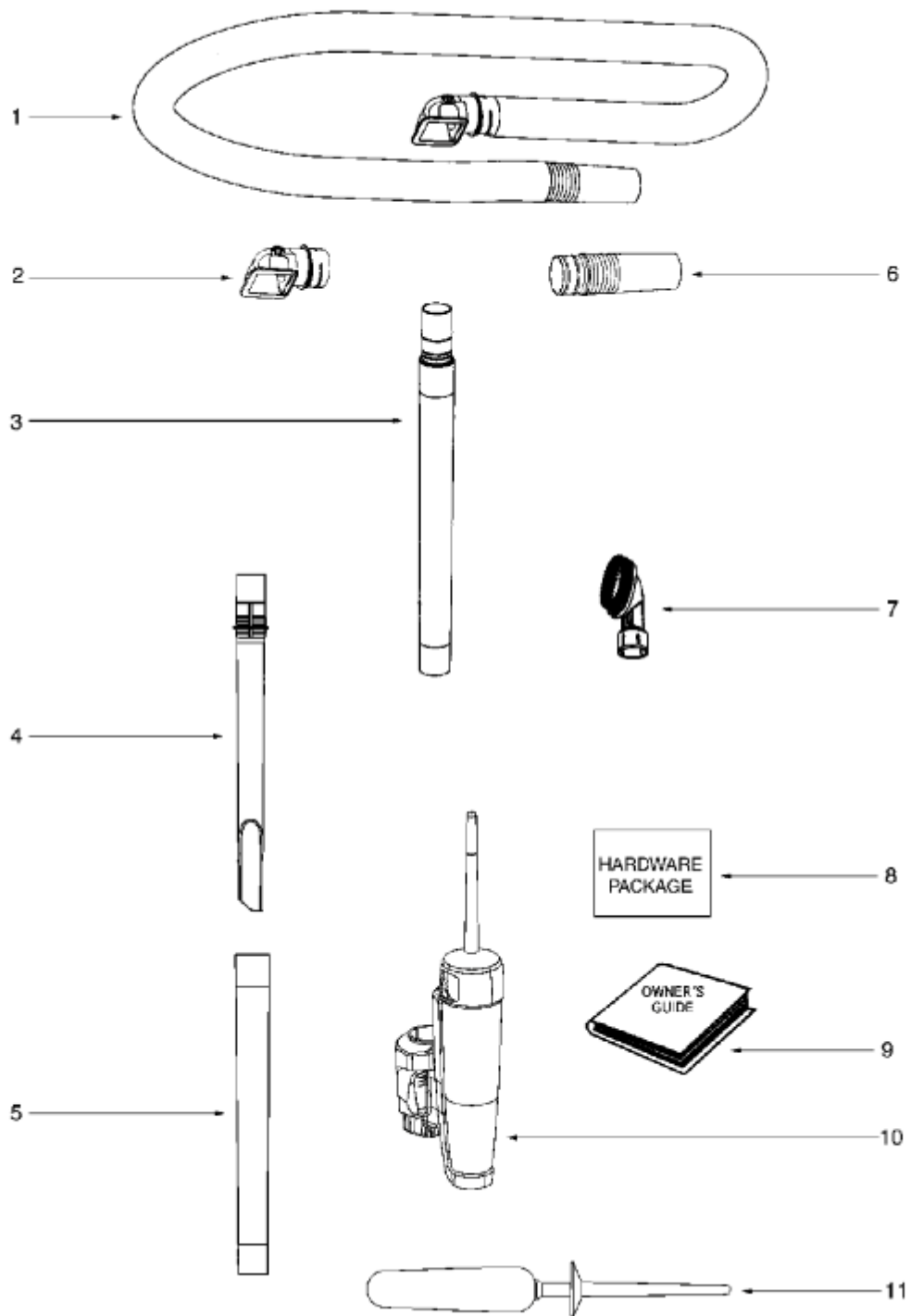
Ref #	Part	Description	Comments	Qty
1	E-74846-1	SCREW - PAN HD PLASCREW		
2	E-63612-5			
3	E-62228-3	BRUSHROLL ASSEMBLY - CART		
4	E-74824	NOZZLE FELT		
5	E-62072-5	BASE ASSEMBLY - PACKAGED	Includes items 4-9, 11,12, 15-19.	
6	E-38698	SPRING PACKAGE		
7	E-74817-355N	CARRIAGE - WHEEL		
8	E-74818-355N	WHEEL - FRONT		
9	E-71478-2	AXLE - FRONT		
10	E-75092-313N	WINDOW - BELT VIEW		
11	E-74820-355N	RELEASE - HANDLE		
12	E-74821	HANDLE RELEASE PLATE		
13	E-EW312-8T12ZP	SCREW PACKAGE		
14	E-74825	CLAMP - MOTOR		
15	E-74822	GUARD - BELT		
16	E-75096	RETAINER - REAR WHEEL		
17	E-74816-355N	WHEEL - REAR		
18	E-75097A	BUSHING - AXLE		
	E-75095	AXLE - REAR		
	E-61120	BELT PKG ASSY-STYLE U EXT		

Dust Cup - 4716AVZ



Dust Cup - 4716AVZ

Ref #	Part	Description	Comments	Qty
1	E-75188-19	COVER & GRAPHICS ASSEMBLY		
2	E-81704-1	FILTER SCREEN ASSEMBLY		
3	E-28608B-1			
4	E-81776	DUST CUP ASSY		



## Accessories - 4716AVZ

Ref #	Part	Description	Comments	Qty
1	E-62293-17	HOSE ASSEMBLY - CARTONED		
2	E-74856-313N	ADAPTOR - HOSE		
3	E-77505-19	NESTING WAND ASSEMBLY		
4	E-77506-366N	WAND - CREVICE		
5	E-77507-366N	WAND - OUTER		
6	E-81169-355N	WAND - LONG		
7	E-80014-1	BRUSH - OVERMOLDED W/BRIS		
8	E-75193	PACKAGE - HARDWARE		
9	E-81492	OWNERS GUIDE		
10	E-75628A-9	ELECTROSTATIC DUSTER ASSY		
11	E-77560-3	ELECTROSTATIC DSTR HANDLE		
	E-80002-2	PET TURBO NOZZLE ASSEMBLY		