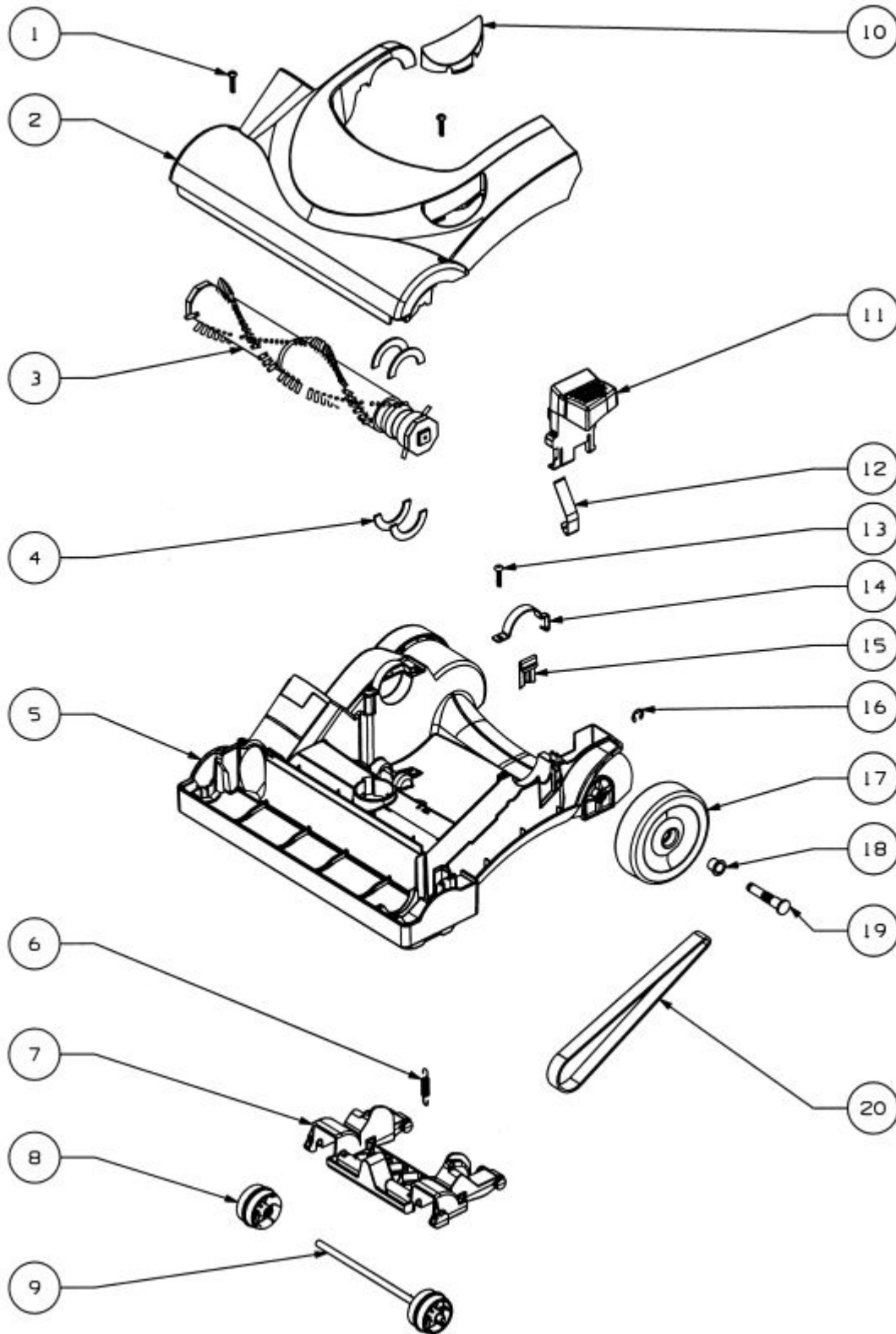


To convert an Eureka part # to an ESSCO part #,
Add an "E-" to the beginning of the part #
i.e. 60285 becomes E-60285

Main Body - 4760AZ

Ref #	Part	Description	Comments	Qty
1	75956-1	UPPER HANDLE ASSEMBLY		
3	76094-355N	TOOL CADDY		
4	74846-1	SCREW - PAN HD PLASCREW		
5	62561-3	BACKBONE ASSEMBLY		
8	63202	WASHER PACKAGE		
9	74836	GASKET - MOTOR INLET		
10	74834-119N	DUCT - AIR		
11	74829-355N	COVER - MOTOR (FRONT)		
13	57940-3	LAMP - HEADLIGHT		
14	74846-1	SCREW - PAN HD PLASCREW		
15	74830-313N	LENS		
16	74835	GASKET - MOTOR DUCT		
17	62568	MOTOR ASSEMBLY - PACKAGED		
18	75094	BUSHING - MOTOR		
19	62562	REAR MOTOR COVER ASSEMBLY	Includes pedal switch.	
23	74846-2	SCREW - PAN HD PLASCREW		
24	74855-355N	WAND - SHORT		
25	76074-355N	HOSE - BLOW MOLDED		
26	74856-313N	ADAPTOR - HOSE		
27	62563	RETAINER & CORD RELEASE A		
29	74846-1	SCREW - PAN HD PLASCREW		
30	74838-1	SUPPLY CORD & TERMINAL AS		
31	62293-5	HOSE ASSEMBLY - CARTONED	Includes items 24-26.	
32	76087	FILTER - PRE-MOTOR		

To convert an Eureka part # to an ESSCO part #,
Add an "E-" to the beginning of the part #
i.e. 60285 becomes E-60285

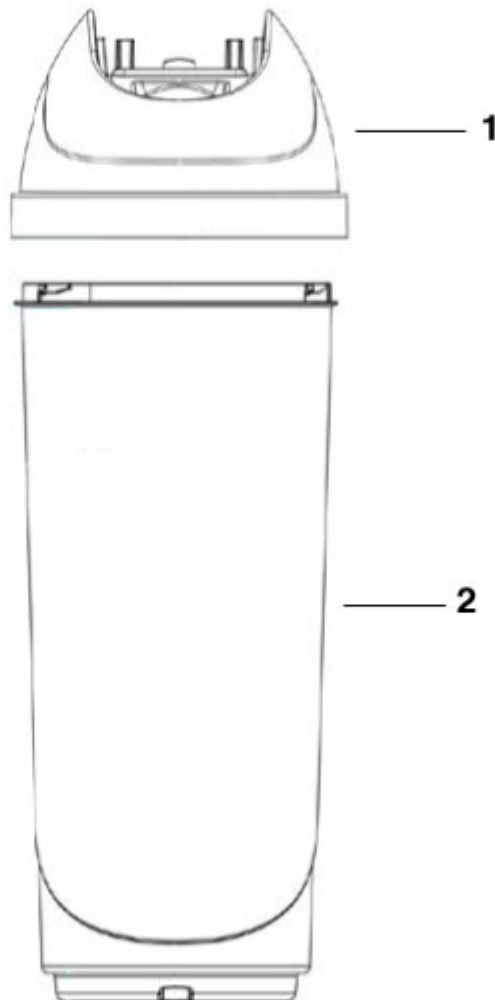


To convert an Eureka part # to an ESSCO part #,
Add an "E-" to the beginning of the part #
i.e. 60285 becomes E-60285

Base and Hood - 4760AZ

Ref #	Part	Description	Comments	Qty
1	74846-1	SCREW - PAN HD PLASCREW		
2	63612	HOOD ASSEMBLY - PACKAGED		
3	62228-3	BRUSHROLL ASSEMBLY - CART		
4	74824	NOZZLE FELT		
5	62072-5	BASE ASSEMBLY - PACKAGED	Includes items 4-9, 11,12, 15-19.	
6	38698	SPRING PACKAGE		
7	74817-355N	CARRIAGE - WHEEL		
8	74818-355N	WHEEL - FRONT		
9	71478-2	AXLE - FRONT		
10	75092-313N	WINDOW - BELT VIEW		
11	74820-355N	RELEASE - HANDLE		
12	74821	HANDLE RELEASE PLATE		
13	EW312-8T12ZP	SCREW PACKAGE		
14	74825	CLAMP - MOTOR		
15	74822	GUARD - BELT		
16	75096	RETAINER - REAR WHEEL		
17	74816-355N	WHEEL - REAR		
18	75097A	BUSHING - AXLE		
19	75095	AXLE - REAR		
20	61120B	BELT PKG ASSY-STYLE U EXT		

To convert an Eureka part # to an ESSCO part #,
 Add an "E-" to the beginning of the part #
 i.e. 60285 becomes E-60285

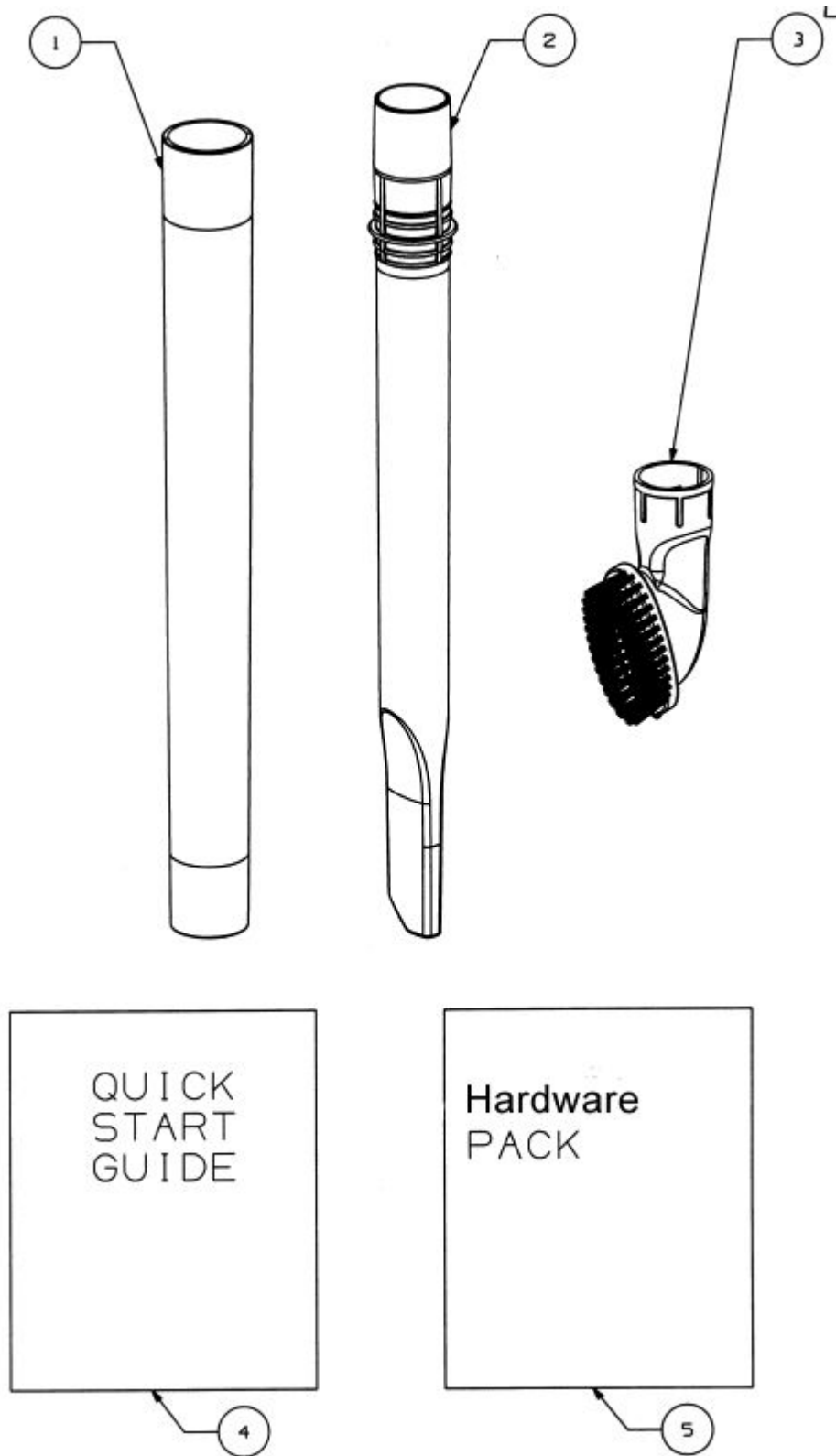


To convert an Eureka part # to an ESSCO part #,
Add an "E-" to the beginning of the part #
i.e. 60285 becomes E-60285

Bag Cover - 4760AZ

Ref #	Part	Description	Comments	Qty
1	76079-3	COVER & GRAPHICS ASSEMBLY		
2	76075-3	DUST CUP ASSEMBLY		
3	74846-1	SCREW - PAN HD PLASCREW	Not pictured.	
4	62560	DUST CUP HANDLE ASSEMBLY	Not pictured.	
5	62389	PAPER BAG - STYLE PL	Not pictured.	

To convert an Eureka part # to an ESSCO part #,
Add an "E-" to the beginning of the part #
i.e. 60285 becomes E-60285



To convert an Eureka part # to an ESSCO part #,
Add an "E-" to the beginning of the part #
i.e. 60285 becomes E-60285

Accessories - 4760AZ

Ref #	Part	Description	Comments	Qty
1	71973-119N	WAND - OUTER		
2	71956A-119N	WAND-CREVICE		
3	60990-3	COMBINATION BRSH BRSTLD-C		
4	77417			
5	75193	PACKAGE - HARDWARE		
6	71492A	NESTING WAND ASSEMBLY	Includes items 1 and 2.	
	75391	TURBO NOZZLE ASSEMBLY		

To convert an Eureka part # to an ESSCO part #,
 Add an "E-" to the beginning of the part #
 i.e. 60285 becomes E-60285