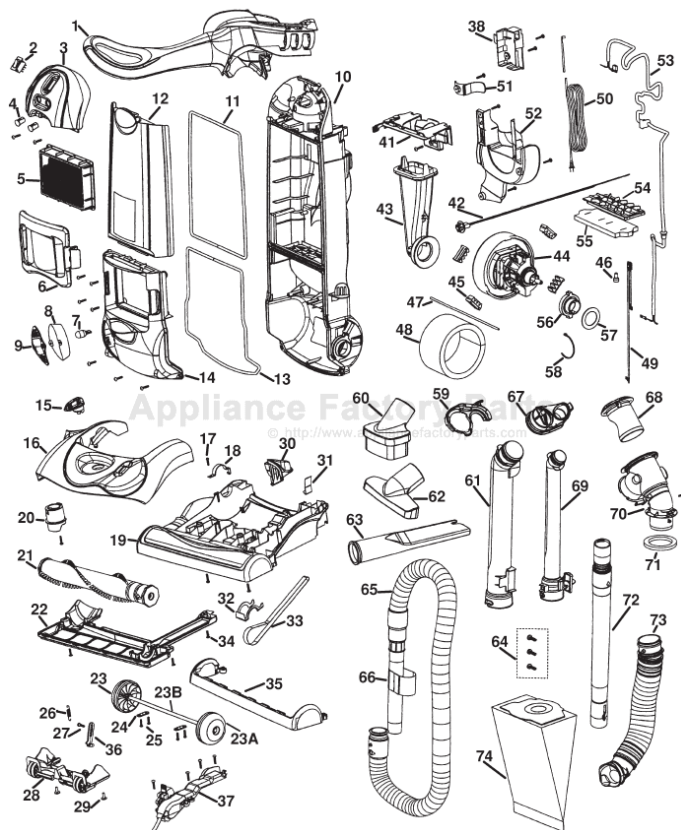


This Owner's Manual is provided and hosted by Appliance Factory Parts.



Eureka 4870AT Owner's Manual

[Shop genuine replacement parts for Eureka 4870AT](#)



[Find Your Eureka Vacuum Cleaner Parts - Select From 855 Models](#)

----- Manual continues below part list -----

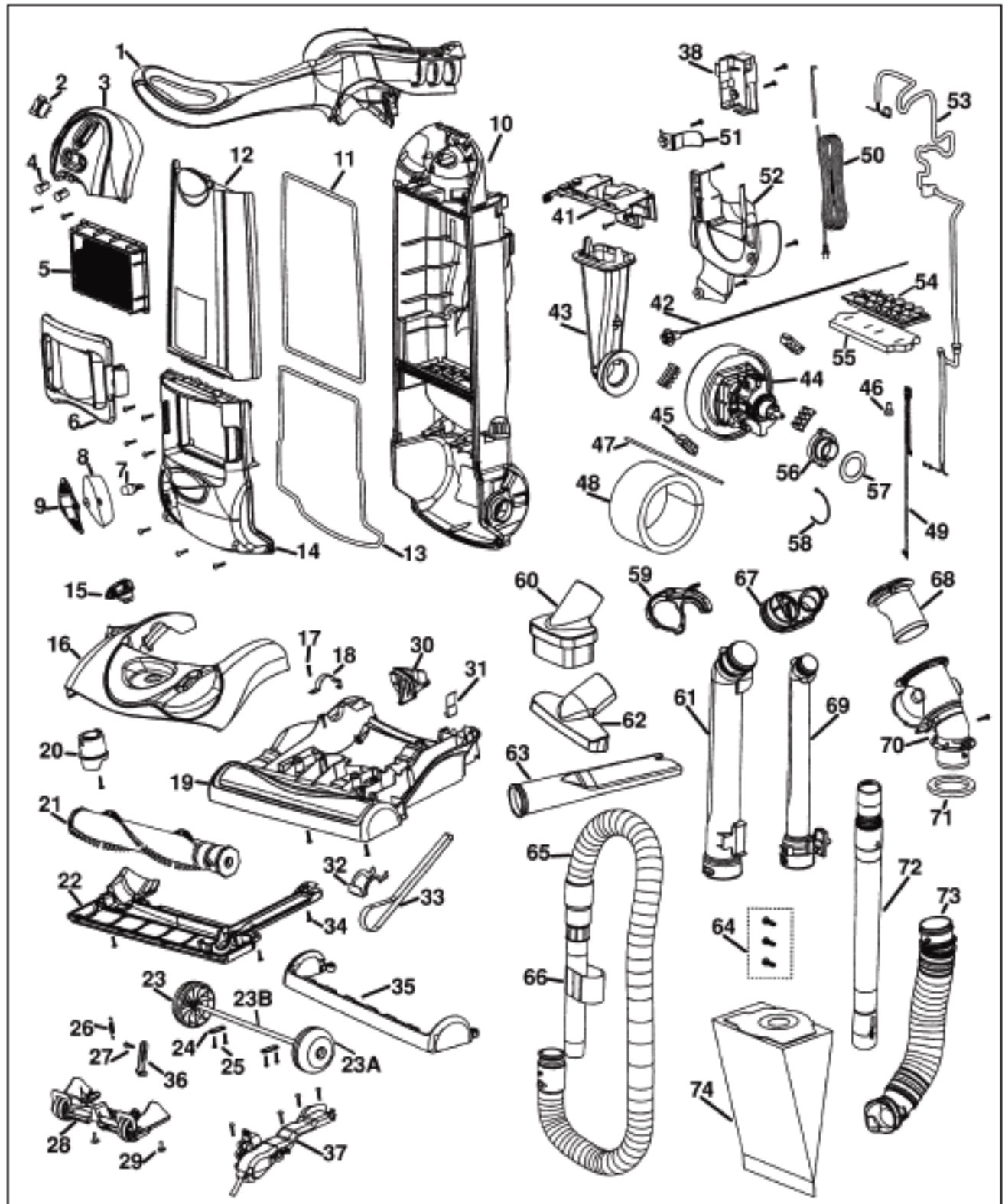
Available Replacement Parts for Eureka 4870AT

| | |
|---------------------------|---------------------------------------|
| Er1448 | Vacuum Bag |
| E-61115 | VACUUM CLEANER BAG 3 PACK |
| ER-1039 | VACUUM BELT AFTERMARKET 1 PACK EUREKA |
| ER-1882 | FILTER, HEPA, UPRIGHTS, 1PK |
| E-70082 | FILTER MOTOR HOOVER OEM 1 PACK |
| E-54943 | Spring, |
| HR-3500 | HEADLIHT BULB |
| E-27237-3 | CREVICE TOOL |

EUREKA Original & Replacement

ULTRA SMART VAC UPRIGHT

4870AT, 4870ATV, 4870BT, 4870DT, 4872AT, 4872BT, 4874AT



Original & Replacement **EUREKA**

ULTRA SMART VAC UPRIGHT

4870AT, 4870ATV, 4870BT, 4870DT, 4872AT, 4872BT, 4874AT

| KEY | PART NO. | DESCRIPTION | KEY | PART NO. | DESCRIPTION |
|-----|----------------|-------------------------------|-----------|----------------|--------------------------------|
| 1 | E-70023-1 | Upper Handle Assembly | 35 | E-70041-228N | Furniture Guard |
| | E-70493-119N | Hose Hook | 36 | E-70199-119N | Linkage Arm |
| | E-28013-119N | Cord Release | 37 | E-70194CSV | Idler Clamp Assembly |
| 2 | E-28073A | Switch | 38 | E-70408-119N | Cord Exit |
| 3 | E-61254-1 | Control Panel Assembly | 41 | E-70591-1SV | Bag Retainer |
| 4 | N/A | Order (E-61254-1) | 42 | E-70701 | Socket & Terminal Assembly |
| 5 | E-61111 | HEPA Filter Style HF2 | 43 | N/A | Air Duct Assembly |
| 6 | E-61255-1 | Filter Cover | 44 | E-61256-1 | Motor Assembly |
| 7 | E-57940-2 | Light Bulb | 45 | E-70085 | Motor Gasket |
| | HR-3500 | Light Bulb | 46 | SS-3270 | Wire Nut |
| 8 | E-70664 | Light Shield | 47 | E-70651 | Flexible Tube |
| 9 | N/A | Lens (Order E-70086-355N) | 48 | E-70652 | Sound Foam |
| 10 | E-70049-119N | Rear Housing | 49 | E-39252-1 | Thermostat Assembly |
| 11 | E-70055 | Bag Housing Gasket | 50 | E-38680-12 | Cord |
| 12 | E-61259-1 | Bag Cover Assembly | 51 | E-70852-119N | Retainer Clip |
| | E-70096-333N | Latch | 52 | E-70337-119N | Tool Pack |
| | E-70097 | Latch Spring | 53 | N/A | Wiring Harness |
| 13 | E-70081 | Motor Cover Gasket | 54 | E-70853-119N | Filter Frame |
| 14 | E-70086-355N | Motor Cover Assembly | 55 | E-70082 | Motor Filter |
| 15 | E-70031-333N | Height Adjustment Knob | 56 | E-70084 | Motor Bushing |
| 16 | E-61252-1 | Hood | 55 | E-70082-119N | Hub Gasket |
| 17 | E-53238-27 | Screw | 52 | N/A | Cable Tie |
| 18 | E-38420-2 | Clamp | 53 | E-26708-119N | Cam Lock |
| 19 | E-61253-1 | Base Assembly | 52 | E-70790 | Dust Brush |
| 20 | E-70030-119N | Height Adjustment Actuator | 61 | E-61257-1 | Dirt Tube Large |
| 21 | E-61250-1 | Brushroll | 62 | E-38284-3 | Upholstery Tool |
| 22 | E-70024ASV | Bottom Plate | 63 | E-26708-119N | Crevice Tool |
| 23 | E-70026 | Rear Wheel & Axle Assembly | 64 | E-70790 | Hardware Package |
| 23A | E-70027-119N | Rear Wheel | 65 | E-61247-1 | Hose Assembly |
| 23B | E-70029-1 | Rear Axle | 66 | E-70873 | Hose Sleeve |
| 24 | E-53201 | Clamp | 67 | E-70053 | Bushing Seal |
| 25 | E-53238-11 | Screw | 68 | N/A | Ventricle Connector |
| 26 | E-54943 | Spring | 69 | N/A | Dirt Tube Small |
| 27 | E-59800 | Screw | 70 | E-70655-1 | Ventricle Assembly |
| 28 | E-70034-119N | Front Wheel Carriage Assembly | 71 | E-70244 | Ventricle Gasket |
| | E-39173-119N | Front Wheel | 72 | E-58728B | Nesting Wand Assembly |
| | E-70022-1 | Front Axle | 73 | E-70588-1 | Connector Hose & Adaptor |
| 29 | E-60160 | Screw | 74 | E-61115 | Paper Bag Style RR 3 Pk |
| 30 | E-70042-333N | Handle Release | 74 | ER-1448 | Paper Bag Style RR 3 Pk |
| 31 | E-70043 | Spring | | | |
| 32 | E-70039 | Flet Gasket | | | |
| 33 | E-61110 | Belt Style R | | | |
| 34 | E-54669-3 | Screw | | | |

N/A – Not Available