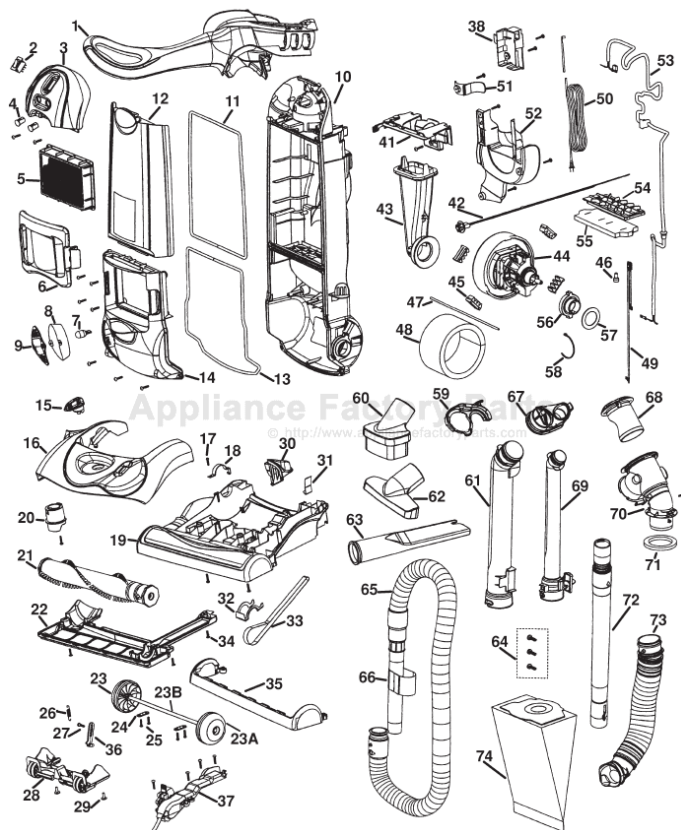


This Owner's Manual is provided and hosted by [Appliance Factory Parts](http://Appliance Factory Parts).



# Eureka 4870BT Owner's Manual

[Shop genuine replacement parts for Eureka 4870BT](#)



[Find Your Eureka Vacuum Cleaner Parts - Select From 855 Models](#)

----- Manual continues below part list -----

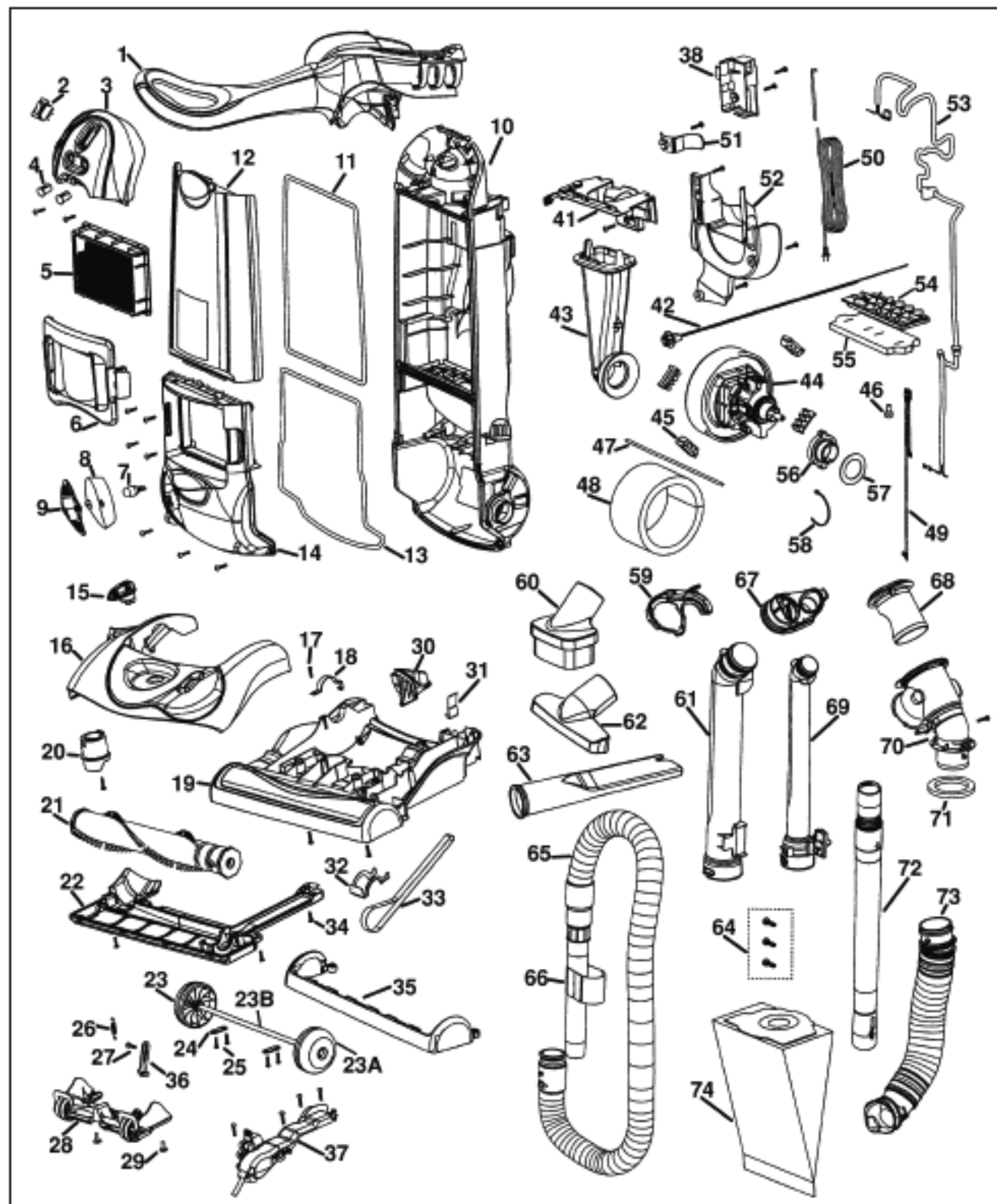
## Available Replacement Parts for Eureka 4870BT

<a href="#">Er1448</a>	Vacuum Bag
<a href="#">E-61115</a>	VACUUM CLEANER BAG 3 PACK
<a href="#">ER-1039</a>	VACUUM BELT AFTERMARKET 1 PACK EUREKA
<a href="#">ER-1882</a>	FILTER, HEPA, UPRIGHTS, 1PK
<a href="#">E-70082</a>	FILTER MOTOR HOOVER OEM 1 PACK
<a href="#">E-54943</a>	Spring,
<a href="#">HR-3500</a>	HEADLIHT BULB
<a href="#">E-27237-3</a>	CREVICE TOOL

# EUREKA Original & Replacement

ULTRA SMART VAC UPRIGHT

4870AT, 4870ATV, 4870BT, 4870DT, 4872AT, 4872BT, 4874AT



# Original & Replacement **EUREKA**

## ULTRA SMART VAC UPRIGHT

4870AT, 4870ATV, 4870BT, 4870DT, 4872AT, 4872BT, 4874AT

KEY	PART NO.	DESCRIPTION	KEY	PART NO.	DESCRIPTION
1	E-70023-1	Upper Handle Assembly	35	E-70041-228N	Furniture Guard
	E-70493-119N	Hose Hook	36	E-70199-119N	Linkage Arm
	E-28013-119N	Cord Release	37	E-70194CSV	Idler Clamp Assembly
2	E-28073A	Switch	38	E-70408-119N	Cord Exit
3	E-61254-1	Control Panel Assembly	41	E-70591-1SV	Bag Retainer
4	N/A	Order (E-61254-1)	42	E-70701	Socket & Terminal Assembly
5	E-61111	HEPA Filter Style HF2	43	N/A	Air Duct Assembly
6	E-61255-1	Filter Cover	44	E-61256-1	Motor Assembly
7	E-57940-2	Light Bulb	45	E-70085	Motor Gasket
	<b>HR-3500</b>	<b>Light Bulb</b>	46	<b>SS-3270</b>	<b>Wire Nut</b>
8	E-70664	Light Shield	47	E-70651	Flexible Tube
9	N/A	Lens (Order E-70086-355N)	48	E-70652	Sound Foam
10	E-70049-119N	Rear Housing	49	E-39252-1	Thermostat Assembly
11	E-70055	Bag Housing Gasket	50	E-38680-12	Cord
12	E-61259-1	Bag Cover Assembly	51	E-70852-119N	Retainer Clip
	E-70096-333N	Latch	52	E-70337-119N	Tool Pack
	E-70097	Latch Spring	53	N/A	Wiring Harness
13	E-70081	Motor Cover Gasket	54	E-70853-119N	Filter Frame
14	E-70086-355N	Motor Cover Assembly	55	E-70082	Motor Filter
15	E-70031-333N	Height Adjustment Knob	56	E-70084	Motor Bushing
16	E-61252-1	Hood	55	E-70082-119N	Hub Gasket
17	E-53238-27	Screw	52	N/A	Cable Tie
18	E-38420-2	Clamp	53	E-26708-119N	Cam Lock
19	E-61253-1	Base Assembly	52	E-70790	Dust Brush
20	E-70030-119N	Height Adjustment Actuator	61	E-61257-1	Dirt Tube Large
21	E-61250-1	Brushroll	62	E-38284-3	Upholstery Tool
22	E-70024ASV	Bottom Plate	63	E-26708-119N	Crevice Tool
23	E-70026	Rear Wheel & Axle Assembly	64	E-70790	Hardware Package
23A	E-70027-119N	Rear Wheel	65	E-61247-1	Hose Assembly
23B	E-70029-1	Rear Axle	66	E-70873	Hose Sleeve
24	E-53201	Clamp	67	E-70053	Bushing Seal
25	E-53238-11	Screw	68	N/A	Ventricle Connector
26	E-54943	Spring	69	N/A	Dirt Tube Small
27	E-59800	Screw	70	E-70655-1	Ventricle Assembly
28	E-70034-119N	Front Wheel Carriage Assembly	71	E-70244	Ventricle Gasket
	E-39173-119N	Front Wheel	72	E-58728B	Nesting Wand Assembly
	E-70022-1	Front Axle	73	E-70588-1	Connector Hose & Adaptor
29	E-60160	Screw	74	E-61115	Paper Bag Style RR 3 Pk
30	E-70042-333N	Handle Release	74	<b>ER-1448</b>	<b>Paper Bag Style RR 3 Pk</b>
31	E-70043	Spring			
32	E-70039	Flet Gasket			
33	E-61110	Belt Style R			
34	E-54669-3	Screw			

N/A – Not Available