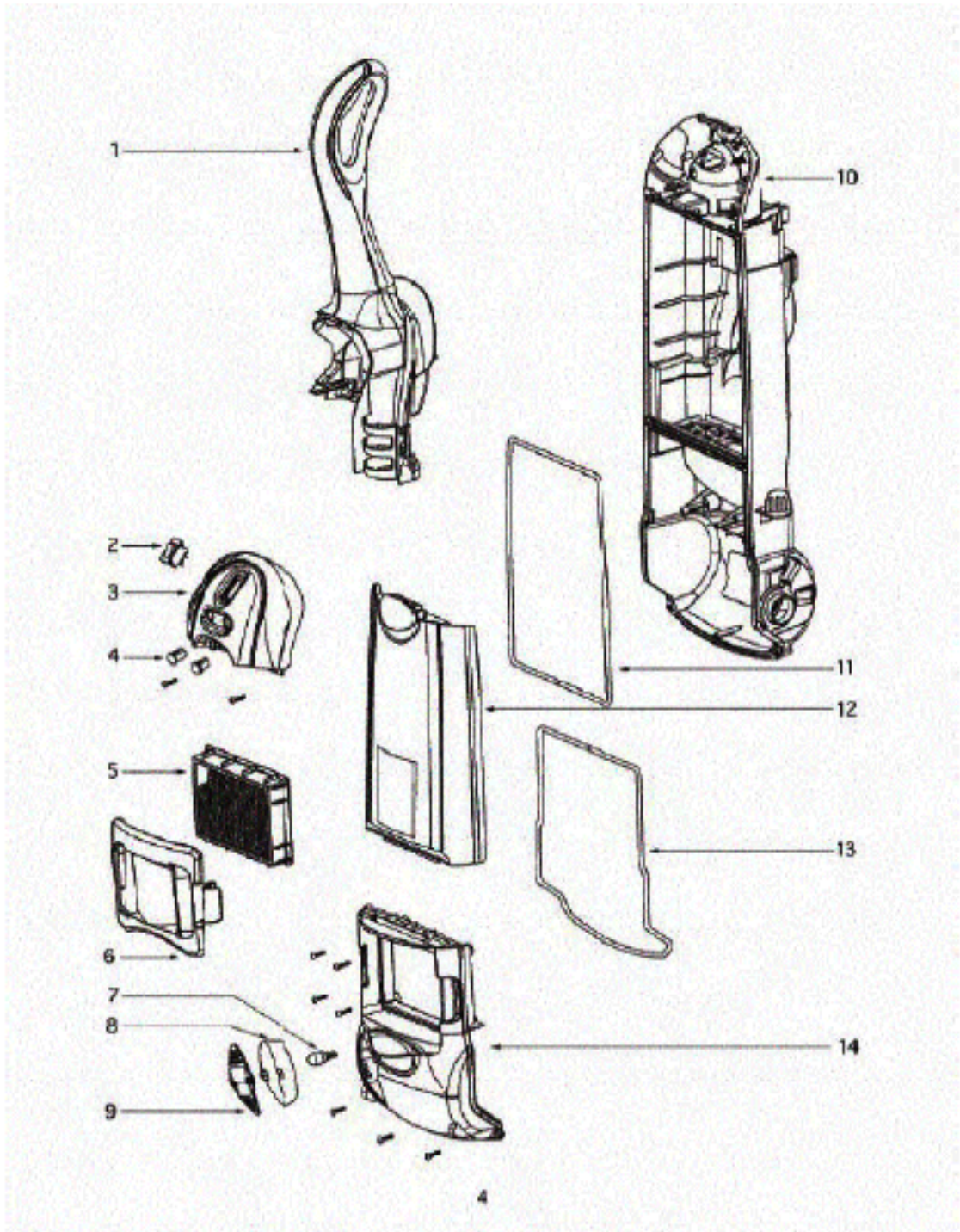


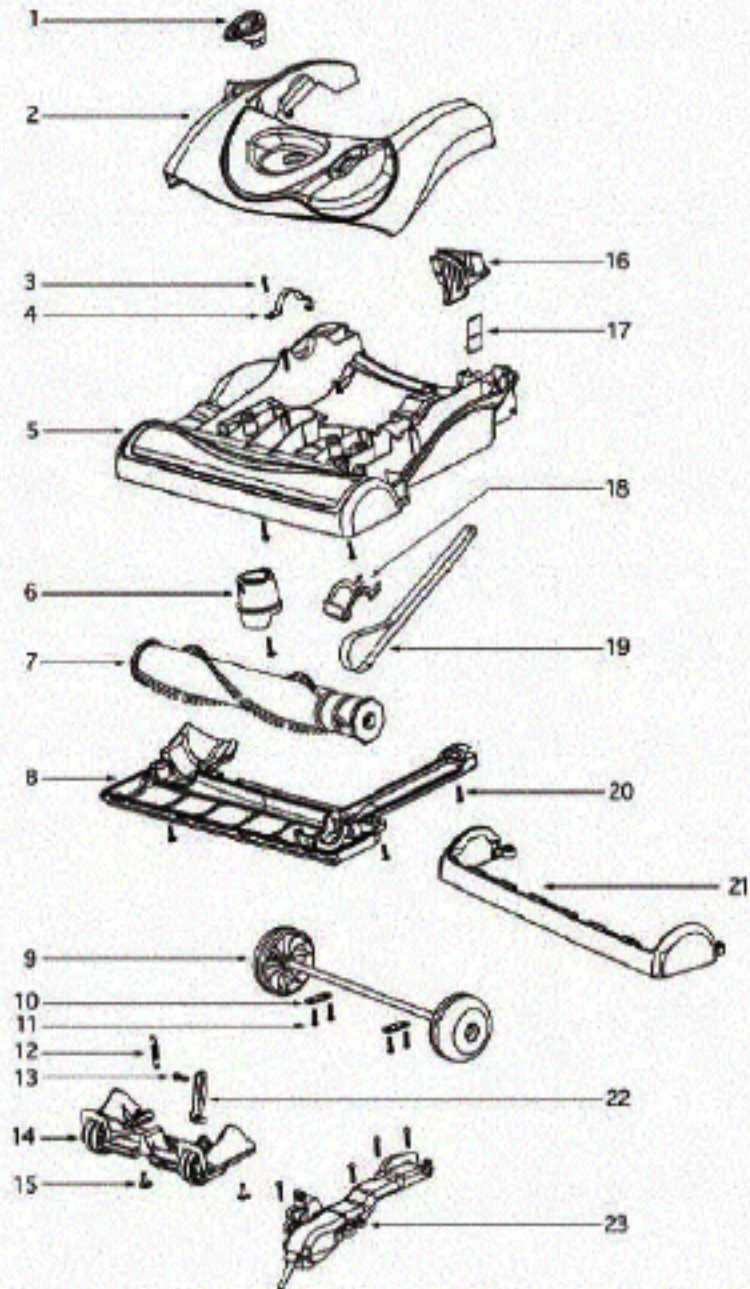
Main Body - 4870F-1



## Main Body - 4870F-1

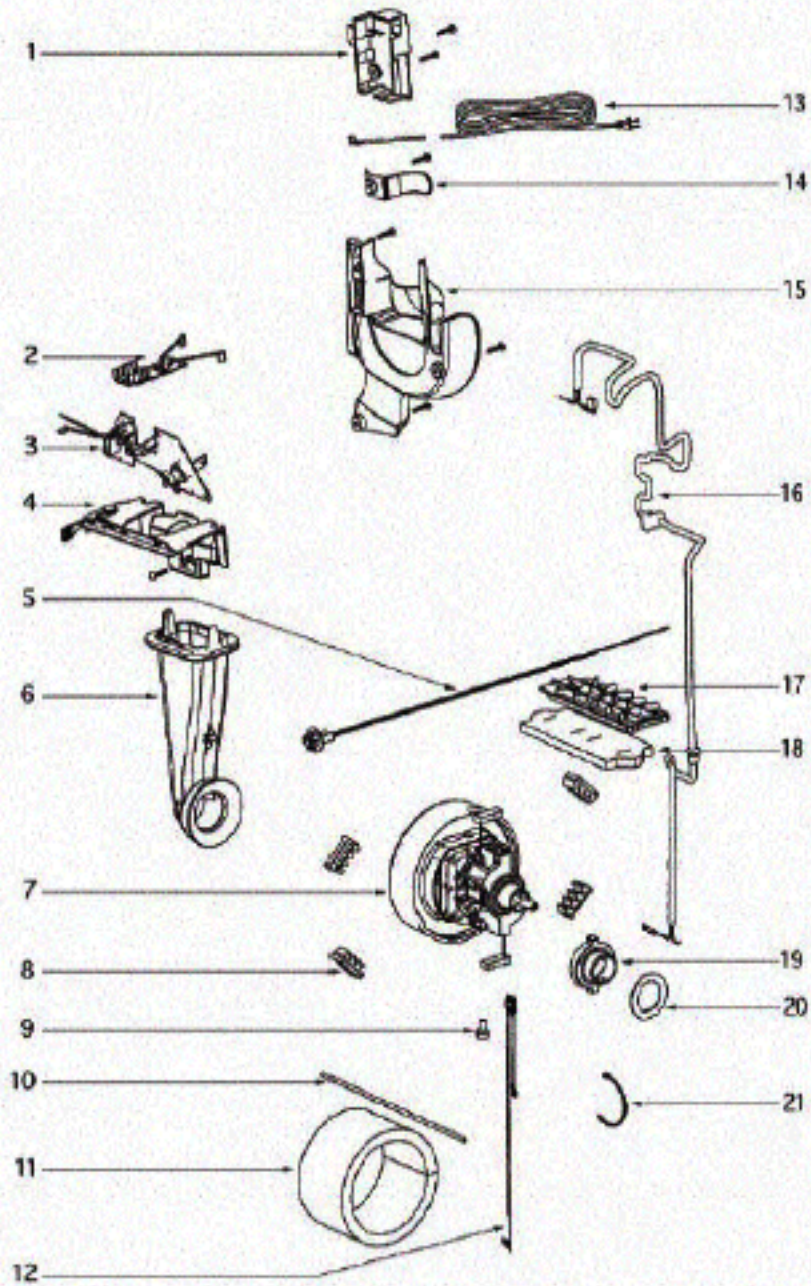
Ref #	Part	Description	Comments	Qty
1	70023-1	UPPER HANDLE ASSY.		
2	39455-1	SWITCH-ROCKER		
3	61254-5	CONTROL PANEL ASSY - PACK		
4	61111	HEPA FILTER PACKAGE		
6	61255-2	FILTER COVER		
7	57940-2	HEADLIGHT		
8	70664	LIGHT SHIELD		
9	70088-1	LENS - HEADLAMP		
10	70049C-119N	HOUSING-REAR		
11	70055	GASKET-BAG CHAMBER		
12	61259-10	BAG COVER ASSY - PACKAGED		
13	70081	GASKET - MOTOR COVER		
	61200-1	HANDLE ASSY/S782AT		

Base and Hood - 4870F-1



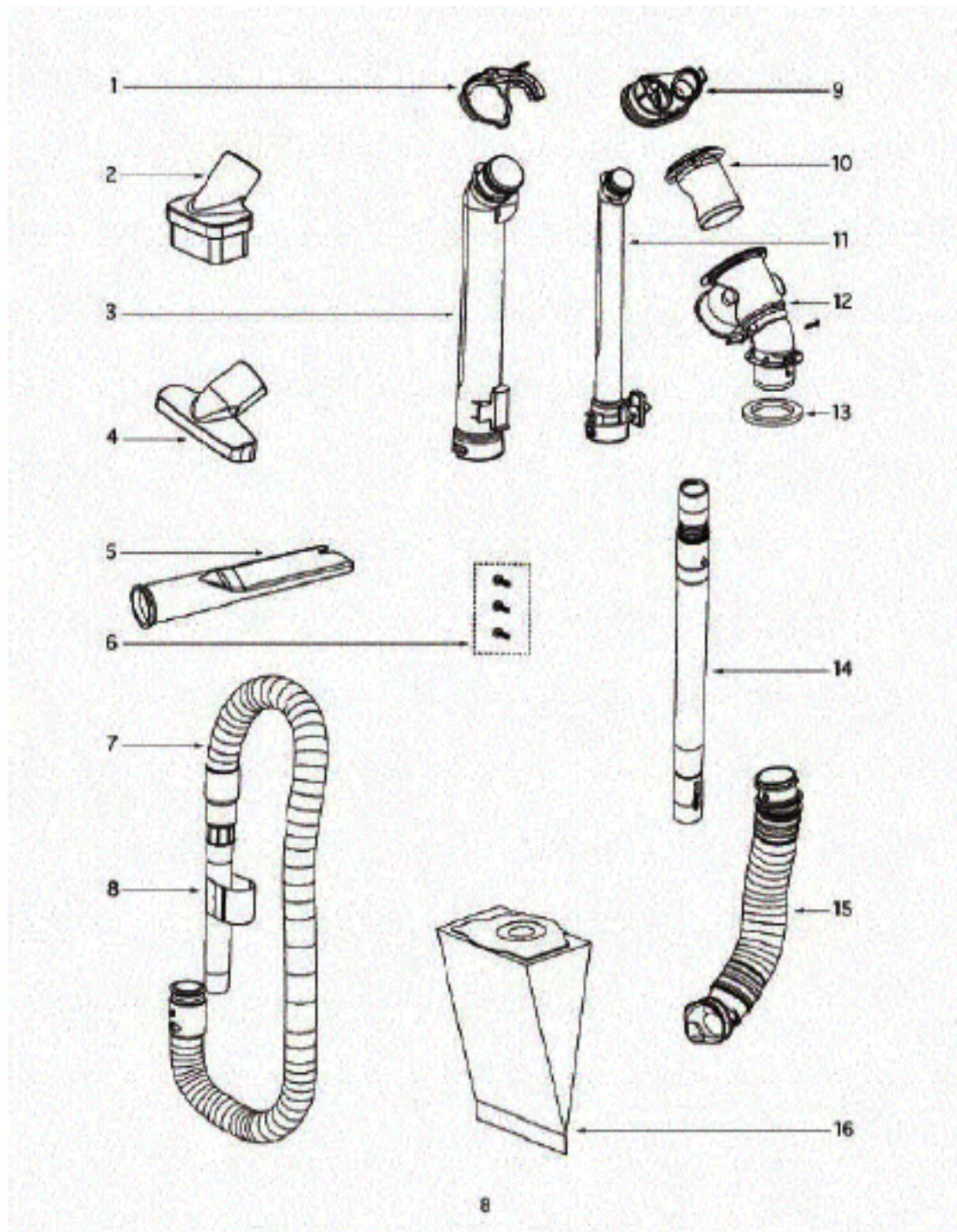
## Base and Hood - 4870F-1

Ref #	Part	Description	Comments	Qty
1	70031-333N	KNOB-HEIGHT ADJ.		
2	61252-10	HOOD ASSEMBLY - PACKAGED		
4	38420-2	CLAMP		
5	61253-5	BASE ASSY.		
6	70030-119N	ACTUATOR-HT ADJUSTMENT		
7	61250-3	DISTURBULATOR		
8	70024ASV	SOLE PLATE ASSY.		
9	70026SV	REAR WHEEL&AXLE ASSEMBLY		
10	53201	CLAMPS-PKG 10 (55535-2)		
11	53238-11	SCREW PKG (EW312-10T8)		
12	54943	SPRING PKG-10		
13	60860	SCREW - PACKAGED		
14	70035SV	WHEEL CARRIAGE ASSEMBLY		
15	53238-27	SCREW PKG		
16	E-70042-333N	HANDLE REL (4870-72)		
17	70043	SPRING HANDLE RELEASE		
18	70039	FELT GASKET		
19	61110	ULTRA SMART BELT (SINGLE)		
20	53238-8	SCREW PKG (15543)(EW312-8-8Z)		
21	70041-288N	GUARD - FURNITURE		
22	70199-119N	ARM - LINKAGE		
23	70194C-1SV	IDLER/CLAMP ASSEMBLY		



## Motor - 4870F-1

Ref #	Part	Description	Comments	Qty
1	70408-119N	CORD-EXIT		
4	70591-1SV	BAG RETAINER ASSY.		
5	70701	SOCKET & TERMINAL ASSY		
6	70792-1SV	AIR DUCT ASSEMBLY		
7	62430			
8	70085	GASKET-MOTOR SUPPORT		
9	60192-1	WIRE SPLICE 5 (53214-2)		
10	70651	TUBE - FLEXIBLE		
11	70652	SOUND FOAM/4870-4872		
12	39252-1	THERMOSTAT & TERMINAL ASSY.		
13	39585-5	SUPPLY CORD & TERMINAL AS		
14	70582-119N	RETAINER-CLIP		
15	70337-119N	TOOL PAK		
16	70071B	JUMPER CORD ASSY		
17	70853-119N	FRAME-MOTOR FILTER		
18	70082	MOTOR FILTER/4870-4872		
19	70084	SUPPORT BUSHING		
20	70665	This part is obsolete and there is no substitute available.		
21	46713-5	CABLE TIE		



## Accessories - 4870F-1

Ref #	Part	Description	Comments	Qty
1	70448-119N	LOCK-CAM		
2	54505-3	ECON DUST BRUSH (54787		
3	61257-1	DIRT TUBE BASE		
4	38284-3	UPHOLSTERY NOZZL (54782		
5	27237-3	CREVICE TOOL		
6	70790	HARDWARE PACKAGE		
7	61247-1	HOSE WWAND (4870)		
8	27624A-119N	STRAIGHT WAND (27624-119N)		
9	70053	SEAL BUSHING		
10	70062-2SV	VALVE ASSEMBLY		
11	61258-3	DIRT TUBE ASSY - PACKAGED		
12	70655-1	VENTRICLE & GRAPHICS ASSY		
13	70244A	GASKET - VENTRICLE		
14	58728B	NESTING WAND ASS (58728A		
15	70588-1	CONNECTOR HOSE&ADAPTER		
16	61115	RR-1PKG.		