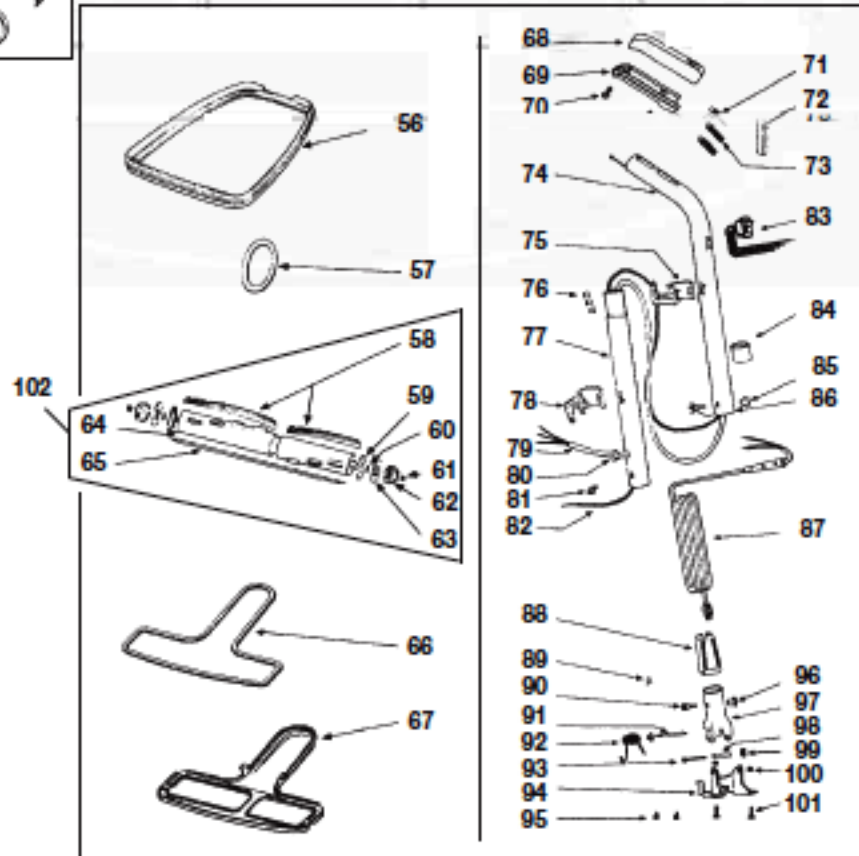
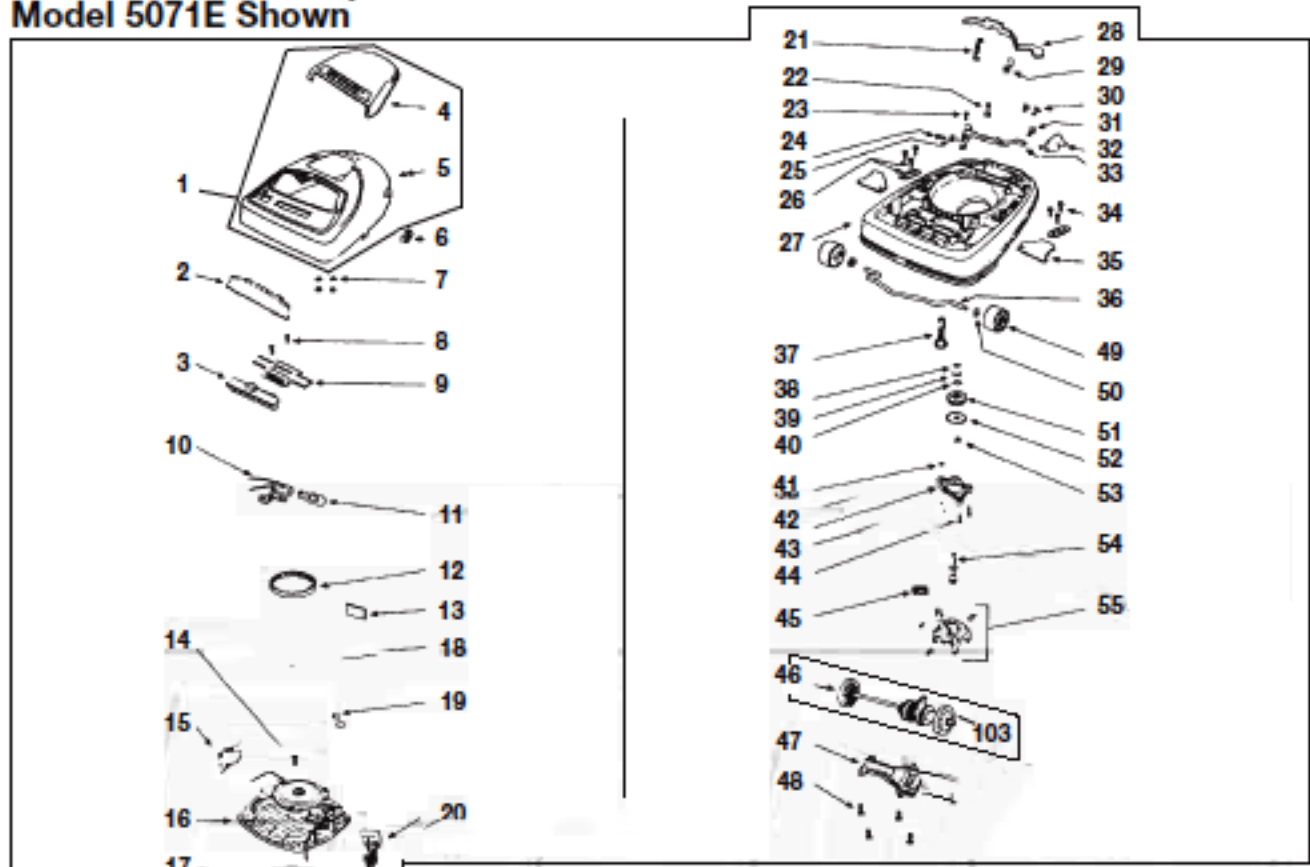


EUREKA Original & Replacement

5000 Series Self Propelled
Model 5071E Shown



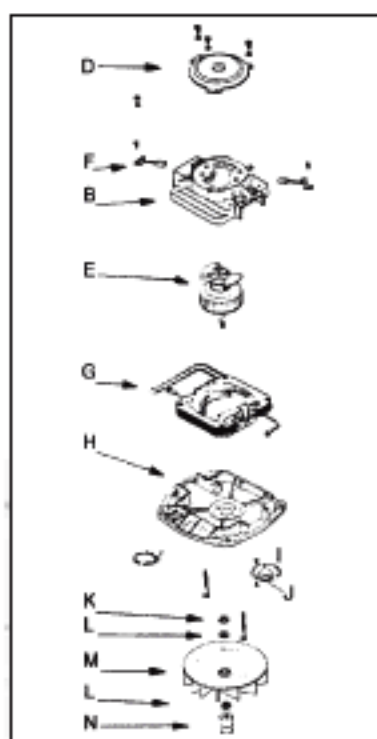
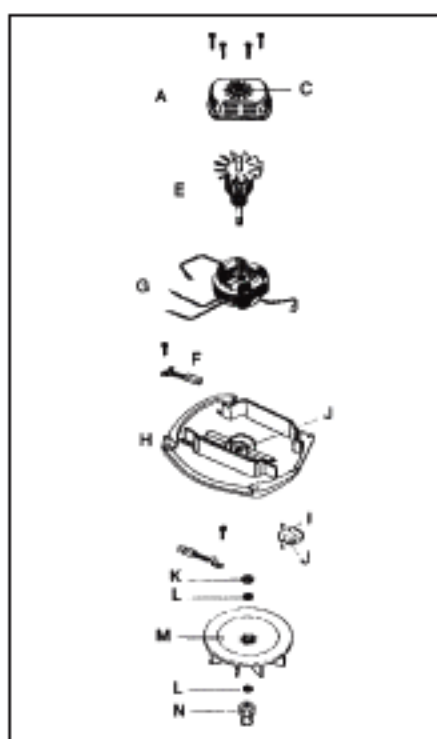
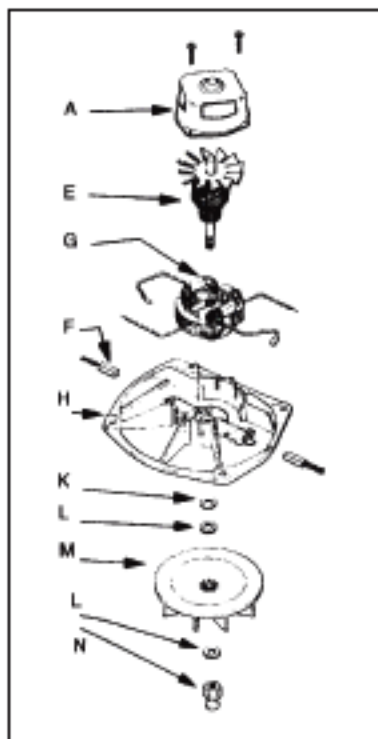
Original & Replacement

EUREKA5000 Series Self Propelled
Model 5071E Shown

KEY	PART NO.	DESCRIPTION	KEY	PART NO.	DESCRIPTION
1	E-01162-2	Hood	55	E-55179	Yoke Screw
2	E-13443-1	Hood Lens		E-55067	Pivot Pin
3	E-24866A-5	Adjustment Slide	56	E-36342-3	Furniture Guard
4	E-49987-3	Hood Cap & Name Plate Ass'y	57	E-30563	Belt
5	E-49937-2	Hood, Cap & Name Plate Ass'y	57	E-52100	Belt 2 Pk
6	E-43814-6	Bushing	57	ER-1000	Belt (ESSCO)
7	E-49933	Push-On Nut	57	ER-1010	Belt
8	E-48876	Screw	58	E-52282-3	Bristle Strip Pair
9	E-25729-6	Slide Cover	58	ER-2210	Bristle Strip Pair
10	E-36722	Headlamp Socket Ass'y	59	E-37377	Disturbulator Bearing & Retainer Ass'y
11	E-48815	Headlight Lamp (Use 15W Only)			
11	FA-3515	Headlight Lamp 15 Watt	60	E-49561	Shaft Washer
12	E-49727	Drive Belt	61	E-49175	Nut
13	E-49753	Reflector	62	E-25759A	Disturbulator Cap
14	E-EW31210T10	Screw	63	E-49899	Felt Washer
15	E-56384	Air Inlet Duct Ass'y L.H. W/Seal	63	ER-2055	Felt Washer
16	E-53390-7	Motor Ass'y, 5.7 Amp 1 Speed	64	E-13236	Disturbulator Core
16	NLA	Motor Ass'y, 6.7 Amp 2 Speed	65	E-37378	Shaft
17	E-30517	Motor Seal Gasket	66	E-46538	Gasket*
17	ER-7600	Motor Seal Gasket	67	E-25922-1	Bottom Plate (Includes *)
18	E-EW31210T13	Motor Mounting Screw	68	E-13336B-3	Upper Handle Grip
19	E-EW22-17	Wire Nut	69	E-13337-3	Lower Handle Grip
19	SS-3270	Wire Nut	70	E-EW312-6T7	Screw
20	E-56385	Air Inlet Duct R.H. (Includes 49052-4 Foam Tape)	71	E-49710	Spring Spacer
21	E-45503	Foot Pedal Spring	72	E-36890-1	Neutral Lock
22	E-55282	Clamp Ass'y (Lever to Cable)	73	E-49726	Centering Spring
23	E-49721	Shoulder Screw (Lever to Motor)	74	E-13326A-2	Upper Handle Tube
24	E-49089	Screw	75	E-36964-1	Cord Retainer Upper
25	E-49087	Acorn Nut	76	E-EW22-17	Wire Nut
26	E-48823	Clamp & Screw Ass'y	77	E-12794	Lower Handle Tube
	E-48642	Adjustment Screw	78	E-13522-1	Cord Retainer Lower
	E-47754A	Adjustment Clamp	79	E-36055-7	Handle Cord
27	NLA	Base & Transmission Ass'y Black	80	E-56563	Grommet
28	E-36707A	Foot Pedal	81	E-36705	Cable Retainer
28	ER-7300	Foot Pedal	82	E-37078	Cable Ass'y
29	E-36842	Pedal Retainer	83	E-36056-3	Rocker Switch 1 Speed
30	E-EW12610P10	Screw	84	E-49712	Handle Insulator
31	E-49729	Screw (Linkage to Yoke)	85	E-55467-1	Handle Ret. Nut
32	E-36794	Belt Guard	86	E-55466-2	Handle Ret. Screw
33	E-26154	Linkage Ass'y	86	ER-7700	Handle Nut & Bolt
34	E-EW31210T13	Screw	87	E-25242-6	Supply Cord & Plug Ass'y
35	E-36263	Wheel Cover	87	NLA	Cord 30 Ft.
36	E-35947A	Front Axle	87	ER-3000	Cord 20 Ft.
37	E-36407A	Axle Spring	88	E-13413-2	Handle Socket Cover
38	E-EW193-516C	Retainer Ring	89	E-EW181-7C	Hair Cotter Pin
39	E-49717	Shim Washer	90	E-55466-2	Screw
40	E-47585	Washer	91	E-41064E	Pin
41	E-EW14-10C	Nut	92	E-36812	Spring
42	E-36918	Pinion Plate Ass'y	93	E-EW35-12P30	Screw
43	E-55248	Screw	94	E-36521A-1	Bracket & Bushing Ass'y
44	E-55184	Screw	95	E-EW31210T10	Screw
45	E-36947	Yoke Seal	96	E-55467-1	Nut
46	NLA	Gear & Axle Ass'y	97	E-25848-3	Handle Socket
47	E-13507-1	Axle Cover	97	ER-7000	Handle Socket Ass'y
48	E-EW31210T8	Screw (Axle Cover to Base)	98	E-45507	Spacer
49	E-35859A-1	Front Wheel	99	E-45474-4	Keps Nut
50	E-47585	Wheel Washer	100	E-EW1410ZP	Nut
51	E-36703	Cog Pulley	101	E-48870	Bolt
52	E-49720	Pulley Flange	102	E-53398-1	Brushroll, VGIll
53	E-49709	Spacer			
54	E-55276A	Pinion Spacer Pkg.	102	E-53270	Hex End W/Sleeve Bearings
	E-37066	Pinion			
	E-49709-1	Spacer	102	ER-2002	Brushroll, Wood Hex End
			102	ER-2004	Brushroll, Wood All Brush
			103	E-36702-1	Rear Wheel

Original & Replacement **EUREKA**

Upright Motor Schematics



	1400 Series
	4.0 Amp Ball/Sleeve 1-Speed
MOTOR ASS'Y	E-53349-4
A Motor Cover w/Bearing	E-54172
B Motor Cover Less Bearing	
C Top Bearing (Ball)	
D Top Bearing Retainer	
E Armature Ass'y	NLA
F Carbon Brush Ass'y	E-25172A1
G Field Ass'y	NLA
H Motor Base Ass'y	E-54171-1
I Lower Bearing Kit	
J Lower Bearing Only	
K Washer (Metal)	E-53188-1
L Fan Washer (Fiber)	E-49017
M Fan	E-12988-1 ER-2800
N Fan Pulley	E-37012
Cooling Fan	
Motor Cover Screw	E-53131-1
Carbon Brush Screw	

2000 & 7000 Series, Ultra & Sanitaires			
5.5 Amp Ball/Sleeve 1-Speed	5.0 Amp Ball/Ball 1-Speed	6.5 Amp Ball/Ball 1-Speed	6.5 Amp Ball/Ball 2-Speed
E-53361-5	E-53361-5	E-53361-1	NLA
E-25863	E-25863		
		E-13746-1	E-13746-1
E-53088-1 FA-6200	E-53088-1 FA-6200	E-53088-1 FA-6200	E-53088-1 FA-6200
NLA	NLA	NLA	NLA
E-28055	E-28055	E-28055	E-28055
NLA	NLA	E-53480-1	NLA
NLA	NLA	NLA	NLA
E-54412 ER-6210	E-54412 ER-6210	E-54412 ER-6210	E-54412 ER-6210
E-53088-1 FA-6200	E-53088-1 FA-6200	E-53088-1 FA-6200	E-53088-1 FA-6200
E-53188-1	E-53188-1	E-53188-1	E-53188-1
E-49017	E-49017	E-49017	E-49017
E-12988-1 ER-2800	E-12988-1 ER-2800	E-12988-1 ER-2800	E-12988-1 ER-2800
NLA	E-53084	NLA	NLA
NLA	NLA	NLA	NLA
E-53131-2	E-53131-2	E-53131-2	E-53131-2
E-53192	E-53192	E-53192	E-53192

2000 Series Sanitaires	5000 Series Self-Propelled	
6.5/7 Amp Ball/Ball 1-Speed	5.7 Amp Ball/Ball 1-Speed	6.7 Amp Ball/Ball 2-Speed
E-53366-8	E-53380-7	NLA
E-54159	E-54159	E-54159
E-53088-1 FA-6200	E-53088-1 FA-6200	E-53088-1 FA-6200
E-20217E	E-20217E	E-20217E
E-53353-3	E-54425-1	NLA
E-30478 ER-6310	E-30478 ER-6310	E-30478 ER-6310
E-53441-2	NLA	NLA
E-54169-1	NLA	NLA
E-54412 ER-6210	E-54412 ER-6210	E-54412 ER-6210
E-53088-1 FA-6200	E-53088-1 FA-6200	E-53088-1 FA-6200
E-53188-1	E-53188-1	E-53188-1
E-49017	E-49017	E-49017
E-12988 ER-2805	E-12988 ER-2805	E-12988 ER-2805
E-37012	E-53165	E-53165
E-30474A	E-30474A	E-30474A
E-53138	E-53138	E-53138
E-53192-2	E-53192-2	E-53192-2