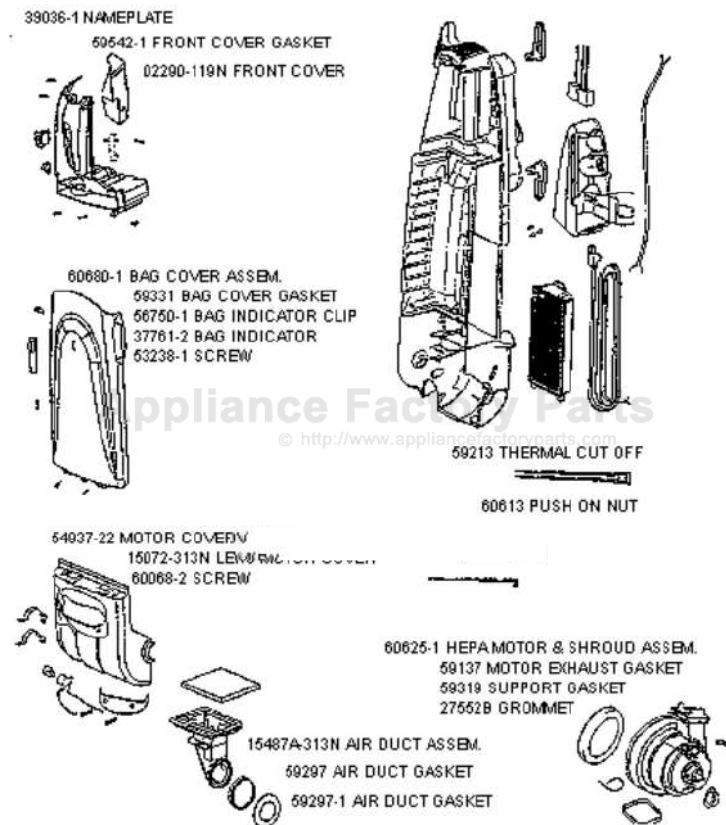


Eureka 5188AT Owner's Manual

[Shop genuine replacement parts for Eureka 5188AT](#)



[Find Your Eureka Vacuum Cleaner Parts - Select From 855 Models](#)

----- Manual continues below -----

39036-1 NAMEPLATE

59542-1 FRONT COVER GASKET

02290-119N FRONT COVER



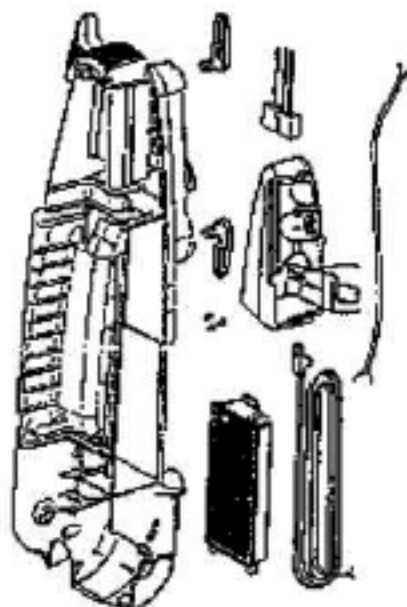
60680-1 BAG COVER ASSEM.

59331 BAG COVER GASKET

66750-1 BAG INDICATOR CLIP

37761-2 BAG INDICATOR

63238-1 SCREW



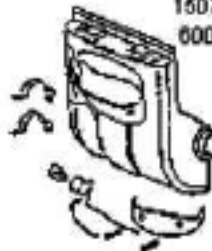
60213 THERMAL CUT OFF

60613 PUSH ON NUT

54837-22 MOTOR COVR CO'

15072-313N CL-3M

60088-2 SCREW



15487A-313N AIR DUCT ASSEM.

59297 AIR DUCT GASKET

60297-1 AIR DUCT GASKET

60625-1 HEPA MOTOR & SHROUD ASSEM.

69137 MOTOR EXHAUST GASKET

69319 SUPPORT GASKET

27552B GROMMET



| Ref # | Part | Description | Comments | Qty |
|-------|-------------|---------------------------|----------|-----|
| 1 | 02282-119N | HOUSING - REAR | | |
| 2 | 02283-119N | INSERT - TOOL CADDY | | |
| 3 | 02290-119N | FRONT COVER ASSY - PKG | | |
| 4 | 15072-313N | LENS - MOTOR COVER | | |
| 5 | 15487A-313N | AIR DUCT | | |
| 6 | 26630-3 | SPEED CONTROL ASSEMBLY | | |
| 7 | 27171A | GASKET | | |
| 8 | 27552B | GROMMET | | |
| 9 | 28013-119N | RELEASE - CORD | | |
| 10 | 28073A | SWITCH - ROCKER | | |
| 11 | 37761-2 | BAG INDICATOR ASSEMBLY | | |
| 12 | 38420-2 | CLAMP | | |
| 13 | 38469 | FILTER - PRE-MOTOR | | |
| 14 | 38680-13 | SUPPLY CORD & TERMINAL AS | | |
| 15 | 38686-1 | HEADLAMP SOCKET ASSEMBLY | | |
| 16 | 39023 | FLANGE - MOTOR INTAKE | | |
| 17 | 39033-119N | SHIELD - WIRE | | |
| 18 | 39036-1 | NAMEPLATE | | |
| 19 | 39053-2 | POTENTIOMETER - SLIDE | | |
| 20 | 39054-1 | UPPER CORD ASSY | | |
| 21 | 46713-5 | TIE - CABLE | | |
| 22 | 48815 | LAMP - HEADLIGHT | | |
| 23 | 53197-1 | SCREW PACKAGE | | |
| 24 | 53238-1 | SCREW PACKAGE | | |
| 25 | 54937-22 | MOTOR COVER ASSY W/O LENS | | |
| 26 | 56750-1 | CLIP - BAG INDICATOR | | |
| 27 | 59137 | GASKET - MOTOR EXHAUST | | |
| 28 | 59213 | CUTOFF - THERMAL | | |
| 29 | 59314-288N | KNOB - SLIDE | | |
| 30 | 59319 | SUPPORT - GASKET | | |
| 31 | 59361A | ADAPTER - TUBE | | |
| 32 | 59362B | TUBE | | |
| 33 | 59408-2 | LEAD & TERMINAL ASSEMBLY | | |
| 34 | 59542-1 | GASKET | | |
| 35 | 60068-2 | SCREW PACKAGE | | |
| 36 | 60192-1 | WIRE SPLICE 5 | | |
| 37 | 60285 | HEPA FILTER PACKAGE | | |
| 38 | 60613 | PUSH ON NUT PKG 5 | | |
| 39 | 60625-1 | HEPA MOTOR & SHEATH | | |
| 40 | 60680-1 | BAG COVER ASSEMBLY - PKGD | | |



| Ref # | Part | Description | Comments | Qty |
|-------|-------------|---------------------------|----------|-----|
| 1 | 14993A-119N | CARRIAGE - WHEEL | | |
| 2 | 15234-288N | GUARD - FURNITURE (14") | | |
| 3 | 27467-288N | RELEASE - HANDLE | | |
| 4 | 27468A-119N | CUFF - HOSE | | |
| 5 | 27794-119N | WHEEL - REAR | | |
| 6 | 28102-1 | RECTIFIER & SWITCH ASSY | | |
| 7 | 38236A-119N | WHEEL - FRONT | | |
| 8 | 38479-2 | HOSE - COMPRESSION (PURCH | | |
| 9 | 39034 | SEAL - YOKE | | |
| 10 | 39047-119N | COVER - DRIVE MOTOR | | |
| 11 | 39121 | KNOB ASSEMBLY | | |
| 12 | 53197-1 | SCREW PACKAGE | | |
| 13 | 53238-42 | SCREW PACKAGE | | |
| 14 | 54312 | BELT PACKAGE ASSEMBLY (U) | | |
| 15 | 54376-2 | BELT CAP & GASKET - PACKA | | |
| 16 | 54669-2 | SCREW PACKAGE | | |
| 17 | 54943 | SPRING PACKAGE | | |
| 18 | 57569 | GASKET - FELT | | |
| 19 | 58206-1 | AXLE - WHEEL | | |
| 20 | 58506-2 | GASKET | | |
| 21 | 58814 | REAR AXLE | | |
| 22 | 59552 | GASKET - CABLE | | |
| 23 | 59586 | GASKET - HOOD | | |
| 24 | 59587 | SHIELD - MOTOR SPACING | | |
| 25 | 60133 | COMPRESSION SPRING - PACK | | |
| 26 | 60252-1 | BRUSHROLL ASSEMBLY - CART | | |
| 27 | 60700-1 | HOOD & GRAPHICS ASSY - PK | | |
| 28 | 60756-1 | TRUARC RETAINING RING - P | | |
| 29 | 60758 | DRIVE MOTOR - PKGD | | |
| 30 | 60760-1 | BASE ASSY - PKGD | | |
| 31 | 60761-1 | CABLE FLAG SCREW - PKGD | | |

02281-1 HANDLE ASSY COMPLETE

13336B-11 HANDLE GRIP (UPPER)

15461-1 HANDLE TUBE (BLACK)

38965 CABLE ASSY

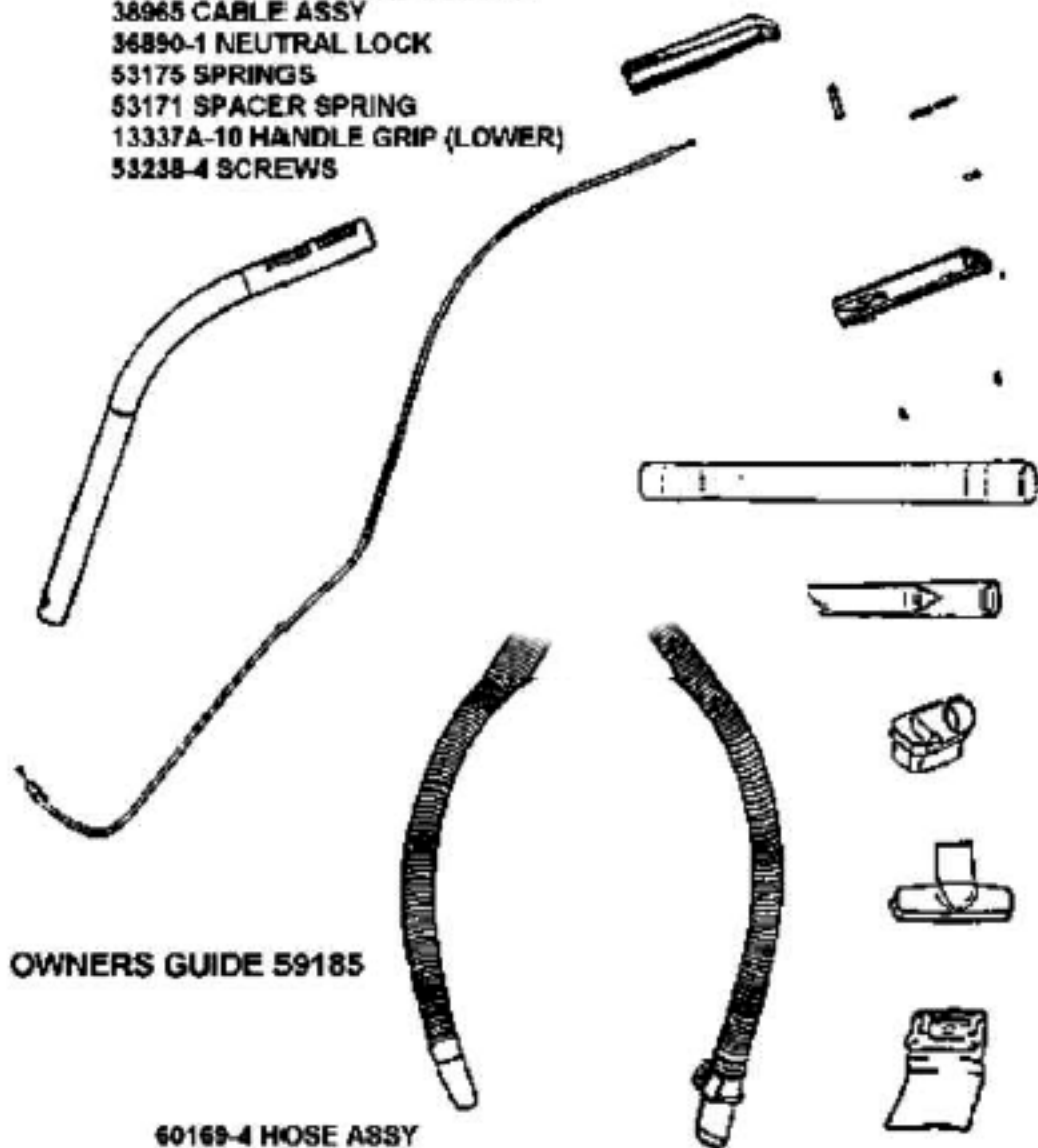
36890-1 NEUTRAL LOCK

53175 SPRINGS

53171 SPACER SPRING

13337A-10 HANDLE GRIP (LOWER)

53238-4 SCREWS



OWNERS GUIDE 59185

60169-4 HOSE ASSY

| Ref # | Part | Description | Comments | Qty |
|-------|------------|---------------------------|----------|-----|
| 1 | 02281-1 | HANDLE ASSEMBLY | | |
| 2 | 13336B-11 | UPPER GRIP & GRAPHICS ASS | | |
| 3 | 13337A-10 | GRIP - HANDLE (LOWER) | | |
| 4 | 15461-1 | TUBE - HANDLE | | |
| 5 | 28051-119N | ADAPTER - HOSE | | |
| 6 | 36890-1 | LOCK - NEUTRAL | | |
| 7 | 37057A-3 | COUPLING - HOSE | | |
| 8 | 38965 | CABLE ASSEMBLY | | |
| 9 | 53171 | SPRING - SPACER PACKAGE | | |
| 10 | 53175 | SPRING - CENTERING PACKAG | | |
| 11 | 53238-4 | SCREW PACKAGE | | |
| 12 | 54780 | TOOL - CREVICE | | |
| 13 | 54782 | UPHOLSTERY NOZZLE ASSEMBL | | |
| 14 | 57782-4 | DUSTING BRUSH - PACKAGED | | |
| 15 | 58623 | PAPER BAG PKG FA (STYLE A | | |
| 16 | 58728A | NESTING WAND ASSEMBLY | | |
| 17 | 60169-4 | HOSE ASSEMBLY - CARTONED | | |