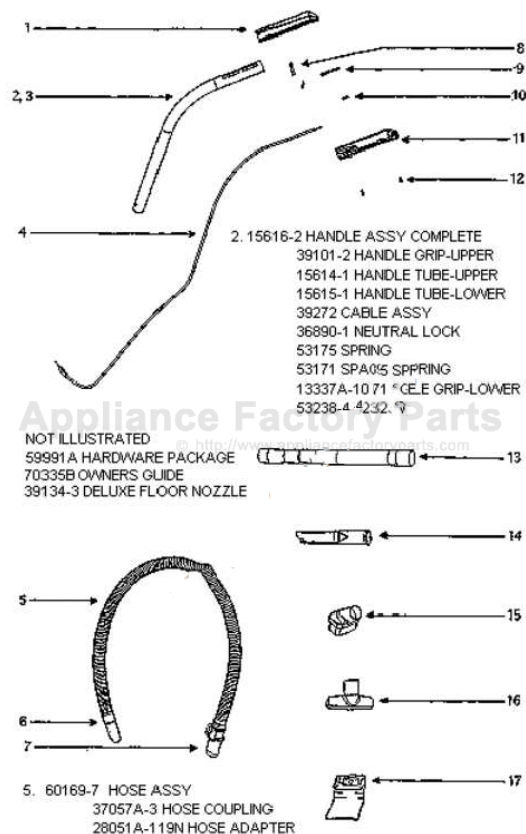


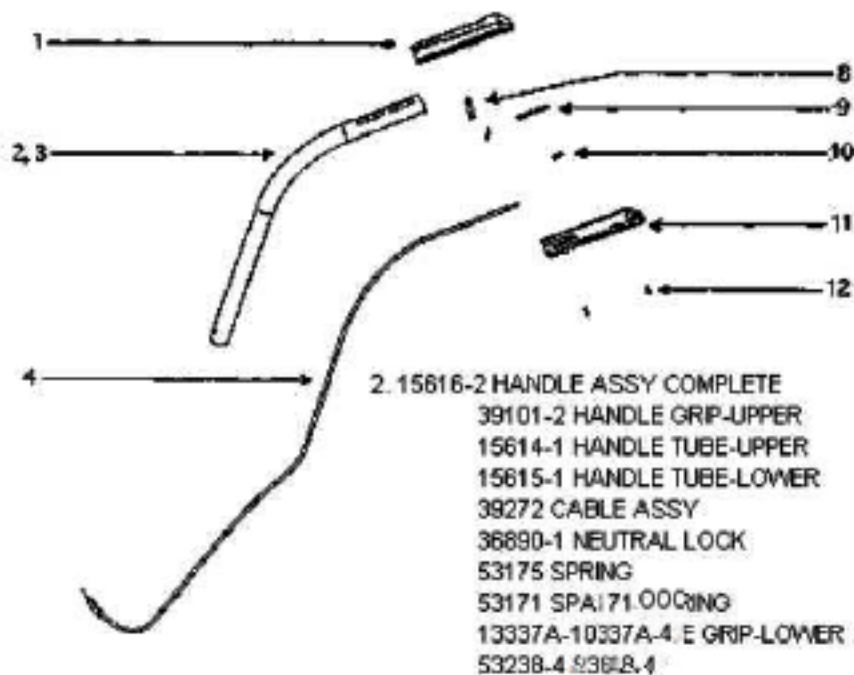
Eureka 5192AT Owner's Manual

[Shop genuine replacement parts for Eureka 5192AT](#)

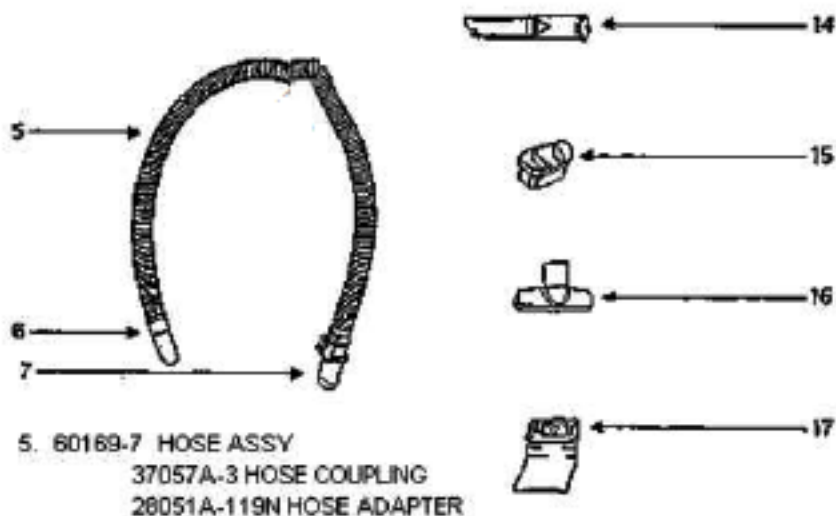
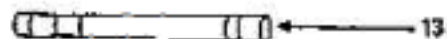


[Find Your Eureka Vacuum Cleaner Parts - Select From 855 Models](#)

----- Manual continues below -----

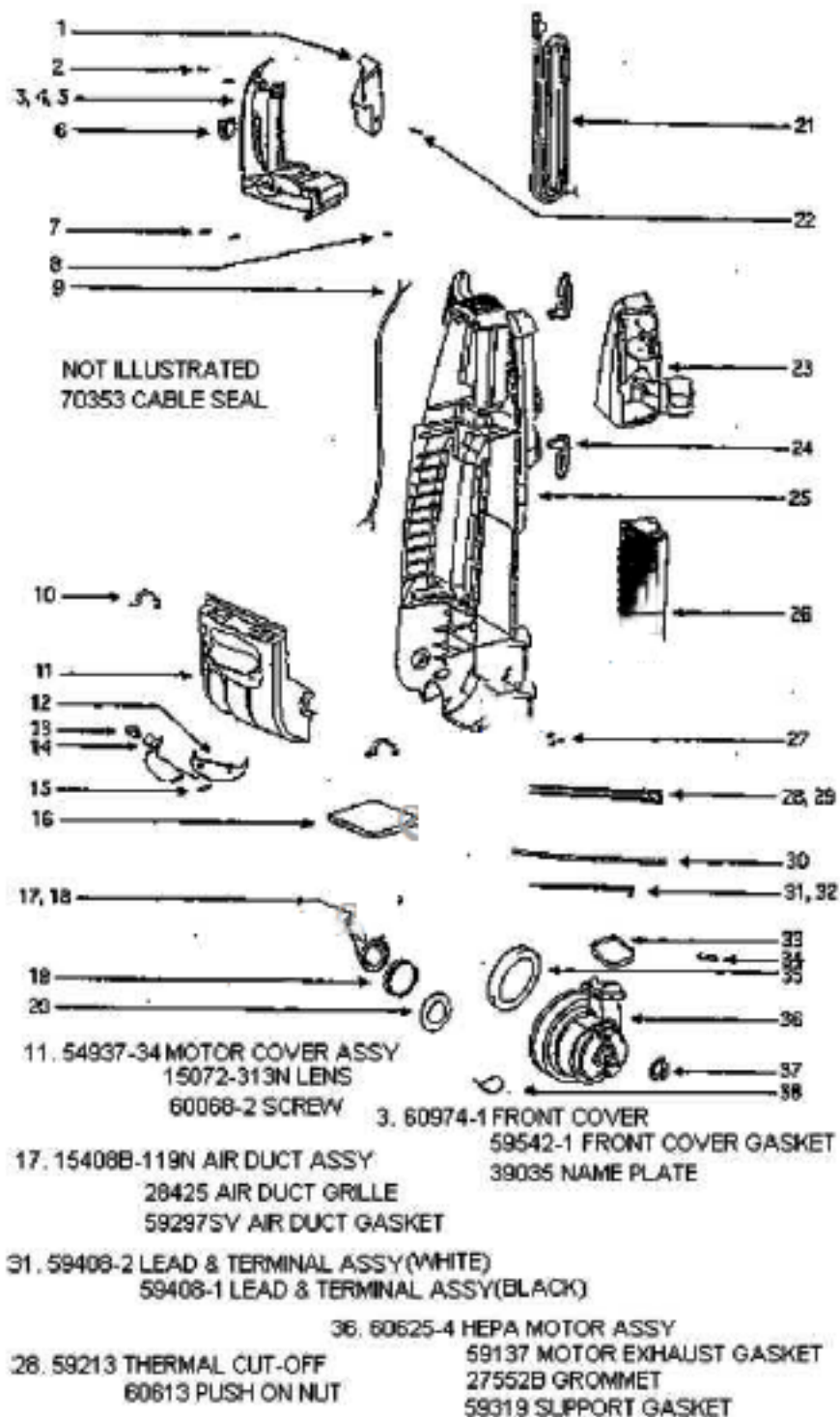


NOT ILLUSTRATED
 59991A HARDWARE PACKAGE
 70335B OWNERS GUIDE
 39134-3 DELUXE FLOOR NOZZLE



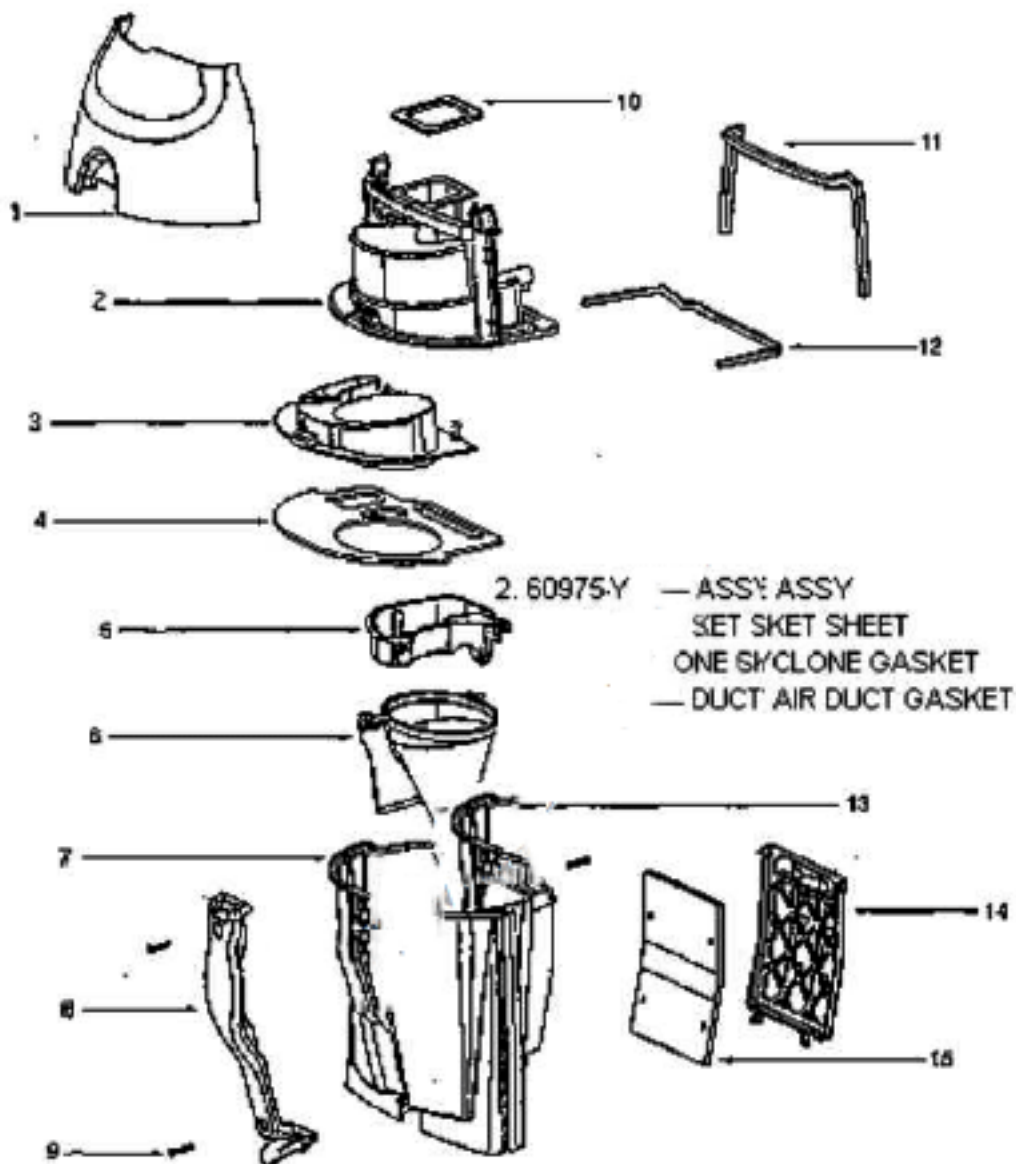
ACCESSORIES - 5192AT

Ref #	Part	Description	Comments	Qty
1	13337A-10	GRIP - HANDLE (LOWER)		
2	15614-1	TUBE - UPPER HANDLE		
3	15615-1	TUBE - LOWER HANDLE		
4	26708-119N	TOOL - CREVICE		
5	28051A-119N	ADAPTER - HOSE		
6	36890-1	LOCK - NEUTRAL		
7	37057A-3	COUPLING - HOSE		
8	38284-3	UPHOLSTERY NOZZLE ASSEMBL		
9	39101-2	UPPER GRIP & GRAPHICS ASS		
10	39134-3	DELUXE FLOOR NOZZLE ASSEM		
11	39272	TRANSMISSION CABLE ASSEMB		
12	53171	SPRING - SPACER PACKAGE		
13	53175	SPRING - CENTERING PACKAG		
14	53238-4	SCREW PACKAGE		
15	54505-3	DUSTING BRUSH - PACKAGED		
16	58728B	NESTING WAND ASSEMBLY		
17	59991A	HARDWARE PKG - SELF PROP		
18	60169-7	HOSE ASSEMBLY - CARTONED		



PARTS2 - 5192AT

Ref #	Part	Description	Comments	Qty
1	02282C-119N	HOUSING - REAR		
2	02283-119N	INSERT - TOOL CADDY		
3	15072-313N	LENS - MOTOR COVER		
4	15408B-119N	DUCT - AIR		
5	27171A	GASKET		
6	27552B	GROMMET		
7	28011	UPPER CORD ASSEMBLY		
8	28013-119N	RELEASE - CORD		
9	28073A	SWITCH - ROCKER		
10	28425	GRILLE - AIR DUCT		
11	38420-2	CLAMP		
12	38680-12	SUPPLY CORD & TERMINAL AS		
13	38586-1	HEADLAMP SOCKET ASSEMBLY		
14	39023	FLANGE - MOTOR INTAKE		
15	39033-119N	SHIELD - WIRE		
16	39035	NAMEPLATE		
17	39292	FILTER - PRE-MOTOR		
18	46713-5	TIE - CABLE (PURCHASED)		
19	48815	LAMP - HEADLIGHT		
20	53197-1	SCREW PACKAGE		
21	54937-34	MOTOR COVER ASSY W/O LENS		
22	59137	GASKET - MOTOR EXHAUST		
23	59213	THERMOSTAT 110 DEG (120V)		
24	59297SV	GASKET - AIR DUCT		
25	59319	SUPPORT - GASKET		
26	59351A	ADAPTER - TUBE		
27	59362B	TUBE		
28	59408-1	LEAD & TERMINAL ASSEMBLY		
29	59408-2	LEAD & TERMINAL ASSEMBLY		
30	59542-1	GASKET		
31	60068-2	SCREW PACKAGE		
32	60192-1	WIRE SPLICE 5		
33	60285	HEPA FILTER PACKAGE		
34	60613	PUSH ON NUT PKG		
35	60625-4	HEPA MOTOR & SHROUD ASSY		
36	60974-1	FRONT COVER ASSEMBLY-PACK		
37	70353	SEAL - CABLE		



2. 60975-Y — ASSY ASSY
 SET SKET SHEET
 ONE SK/CLONE GASKET
 — DUCT AIR DUCT GASKET

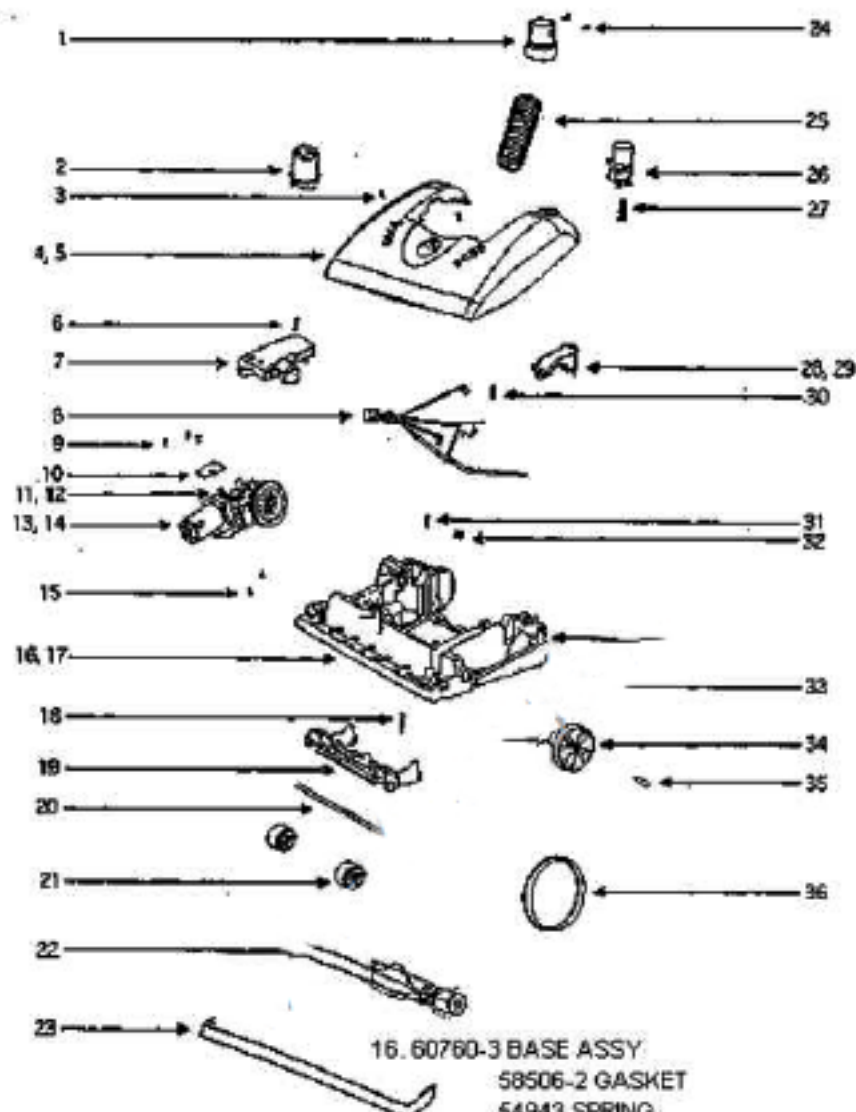
7. 60976-2 CYCLONIC CASSETTE ASSY

NOT ILLUSTRATED
 59852-1 CYCLONE GASKET

28099B-333N FILTER SCREEN
 02311A-333N CYCLONE FUNNEL
 28131-288N DIRT CUP GRIP
 53197-1 SCREW
 28114-119N FILTER FRAME
 60696 FILTER

PARTS3 - 5192AT

Ref #	Part	Description	Comments	Qty
1	02311A-333N	FUNNEL & GASKET ASSEMBLY		
2	28099B-333N	FILTER - SCREEN		
3	28114-119N	FRAME - FILTER		
4	28131-288N	GRIP - DIRT CUP		
5	39305	CYCLONE GASKET SET (SP)		
6	53197-1	SCREW PACKAGE		
7	58297-3SV	GASKET - AIR DUCT		
8	59595-2	GASKET - CYCLONE		
9	60696	FILTER PACKAGE		
10	60975-1	CYCLONE ASSEMBLY - CARTON		
11	60976-2	CYCLONIC CASSETTE ASSY		
12	60981-4	CYCLONE CVR & GRPHCS ASSY		



- | | |
|---|---|
| 11. 60757B TRANSMISSION ASSY
39034 YOKE SEAL
60756-1 RETAINING RING | 16. 60760-3 BASE ASSY
58506-2 GASKET
54943 SPRING
14993B-119N WHEEL CARRIAGE
58206-1 WHEEL AXLE
39173-119N FRONT WHEEL
70524 GASKET
27794-119N REAR WHEEL
58814 REAR AXLE |
| 13. 60758 DRIVE MOTOR
59587 MOTOR SPACING SHIELD | |
| 28. 54376-2 BELT CAP ASSY
70524 GASKET | 4. 60700-9 HOOD & GRAPHICS ASSY
59586 HOOD GASKET |

PARTS1 - 5192AT

Ref #	Part	Description	Comments	Qty
1	14993B-119N	CARRIAGE - WHEEL		
2	15591-288N	GUARD - FURNITURE		
3	27462B-288N	OPERATOR - HEIGHT ADJUSTM		
4	27467A-288N	RELEASE - HANDLE		
5	27468D-119N	CUFF - HOSE		
6	27794-119N	WHEEL - REAR		
7	28102-1	RECTIFIER & SWITCH ASSY		
8	38479-4	HOSE - COMPRESSION (PURCH		
9	39034	SEAL - YOKE		
10	39047-119N	COVER - DRIVE MOTOR		
11	39173-119N	WHEEL - FRONT		
12	53197-1	SCREW PACKAGE		
13	53257-1	SCREWS - PACKAGE 10		
14	54376-2	BELT CAP & GASKET - PACKA		
15	54669-2	SCREW PACKAGE		
16	54943	SPRING PACKAGE		
17	58206-1	AXLE - WHEEL		
18	58506-2	GASKET		
19	58814	REAR AXLE		
20	59552	GASKET - CABLE		
21	59586	GASKET - HOOD		
22	59587	SHIELD - MOTOR SPACING		
23	60133	COMPRESSION SPRING - PACK		
24	60252-2	BRUSHROLL ASSEMBLY - CART		
25	60700-9	HOOD & GRAPHICS ASSY - PK		
26	60756-1	TRUARC RETAINING RING - P		
27	60757B	TRANSMISSION ASSY - PACKA		
28	60758	DRIVE MOTOR - PKGD		
29	60760-3	BASE ASSY - PKGD		
30	60761-1	CABLE FLAG SCREW - PKGD		
31	70524	GASKET - FELT		