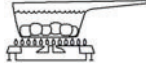




## E-Z BILT BARBECUES

ASSEMBLY MANUAL & PARTS LIST

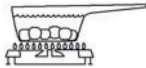
MANUEL DE MONTAGE & LISTE DE PIÈCES



**GRILLPRO**

266964

266974



**GRILLPRO**

268524

268564

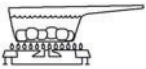
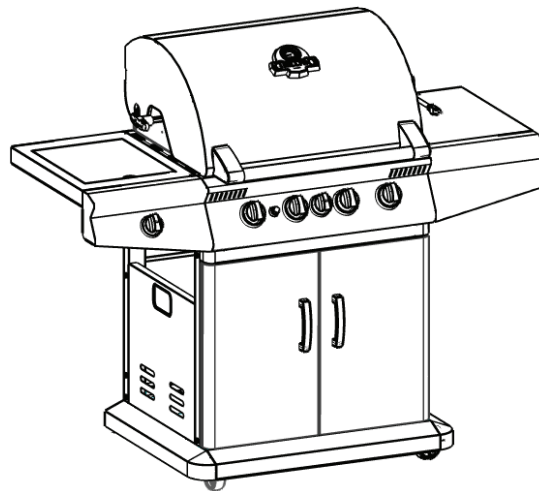
268964

268544

268584

268744

268784

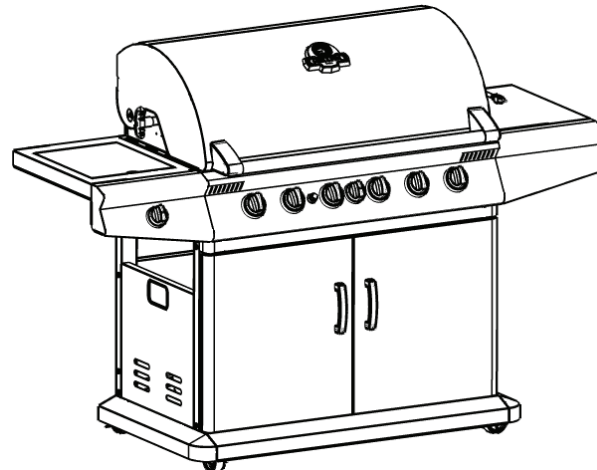


**GRILLPRO**

269744

269784

269984



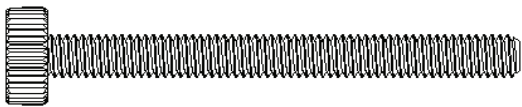

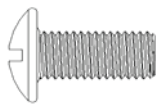
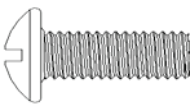
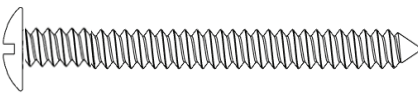


RETAIN FOR FUTURE REFERENCE

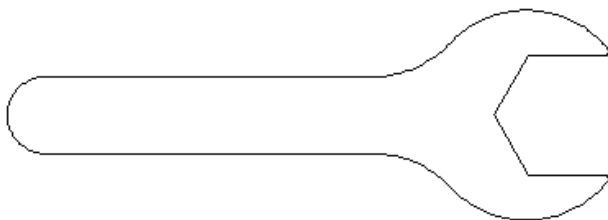
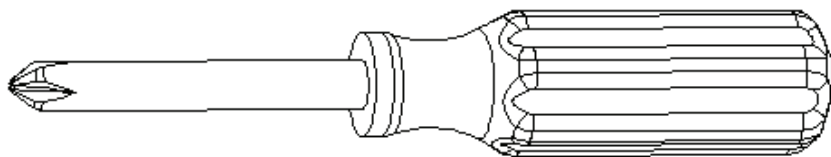
VEUILLEZ CONSERVER POUR REFERENCE ULTERIEURE

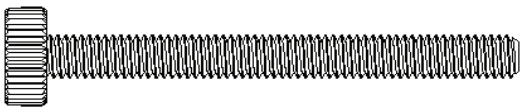
1-800-265-2150

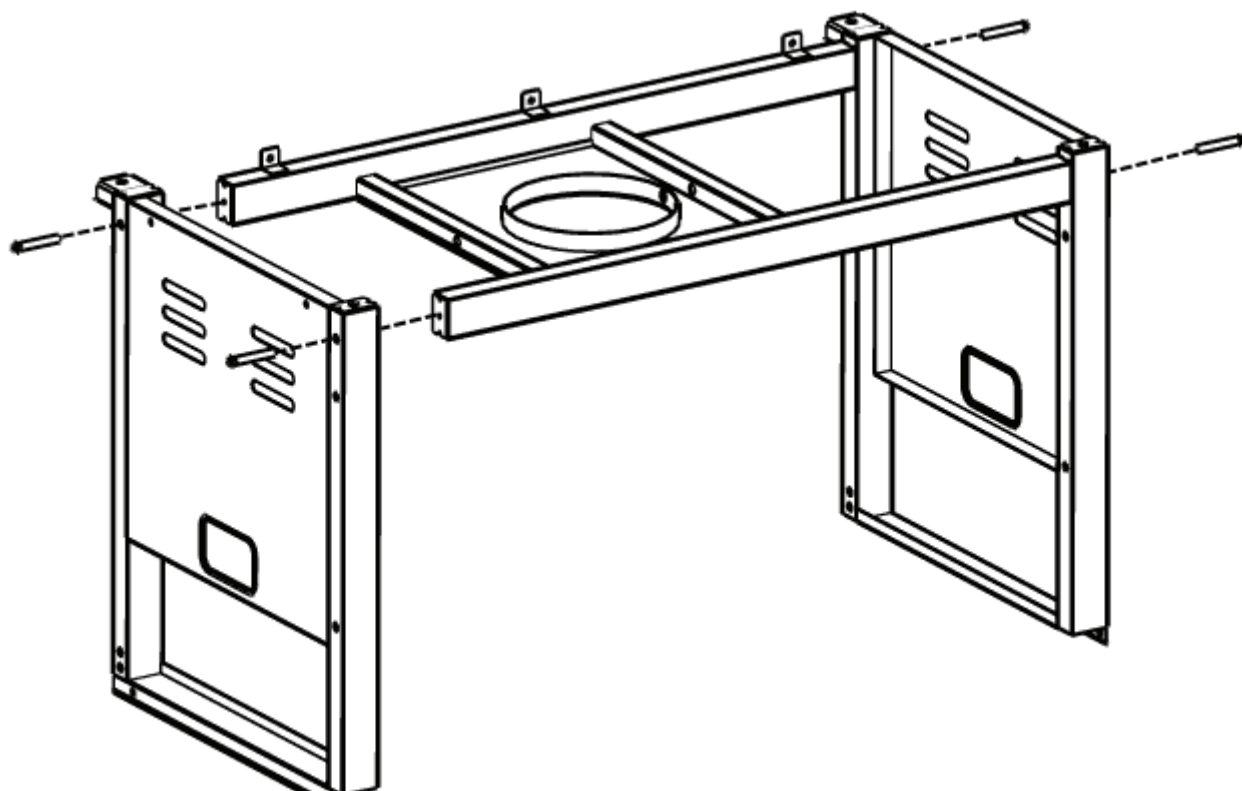
[info@omcbbq.com](mailto:info@omcbbq.com)

*Onward*  
MANUFACTURING COMPANY  
SINCE 1906  
585 KUMPF DRIVE  
WATERLOO, ONTARIO, CANADA

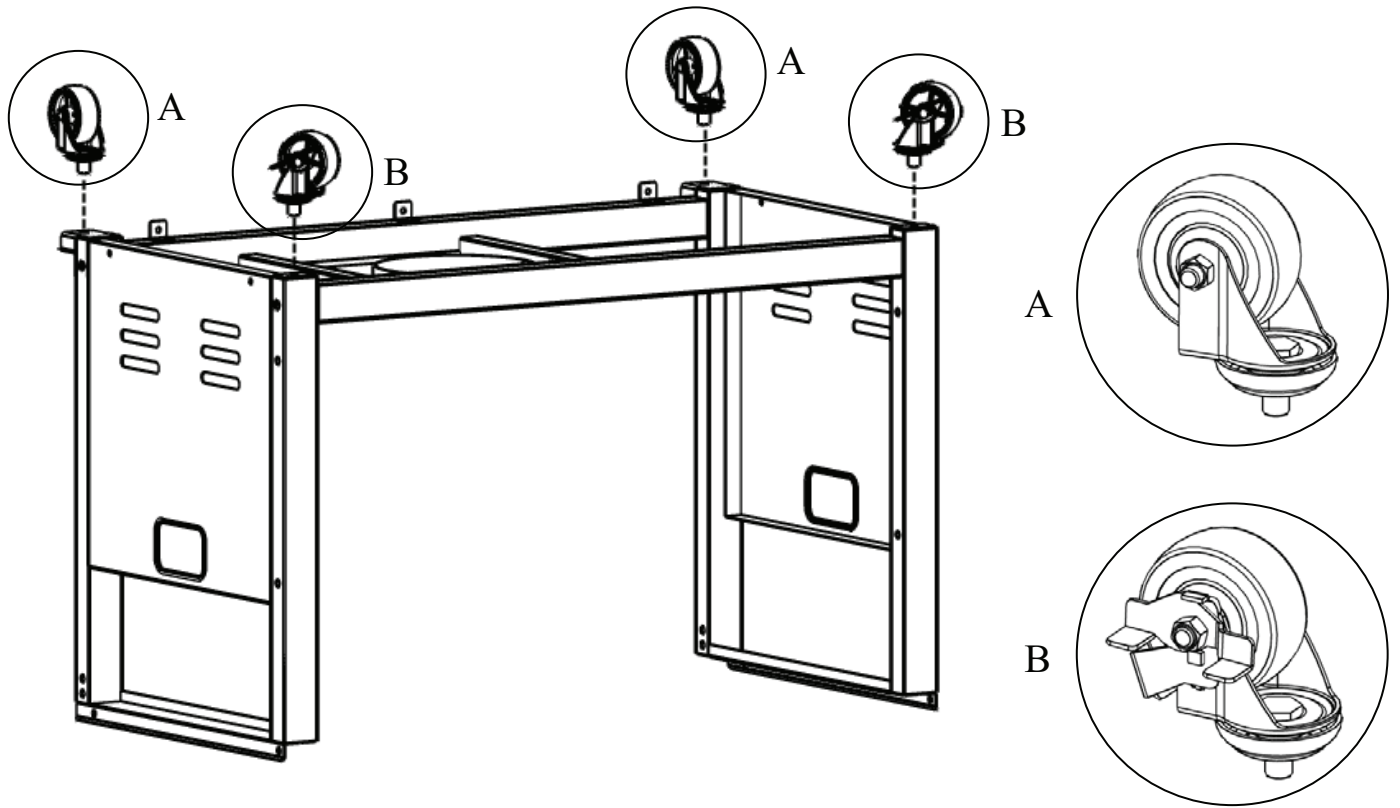
<b>X12</b> 	<b>X10</b> 	<b>X17</b> 	<b>X8</b> 
<b>X2</b> 	<b>X2</b> 	<b>X1</b> 	



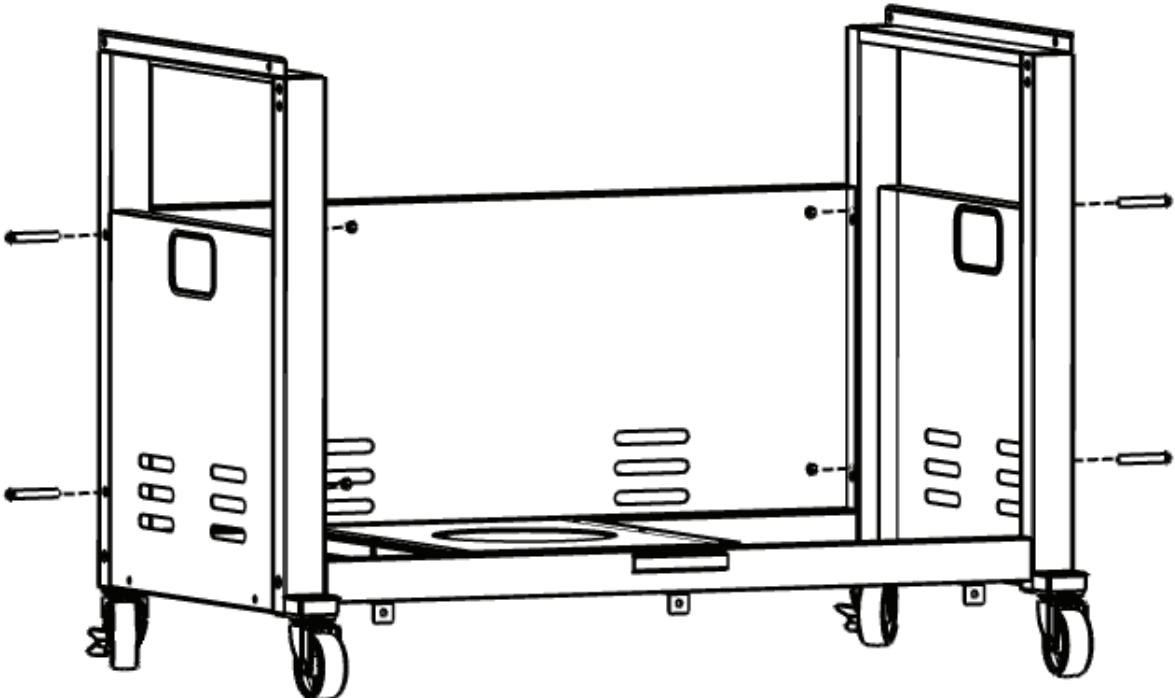
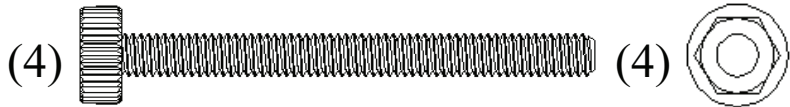
<b>1</b>	<b>(4)</b> 
----------	--



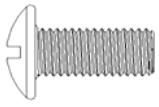
2

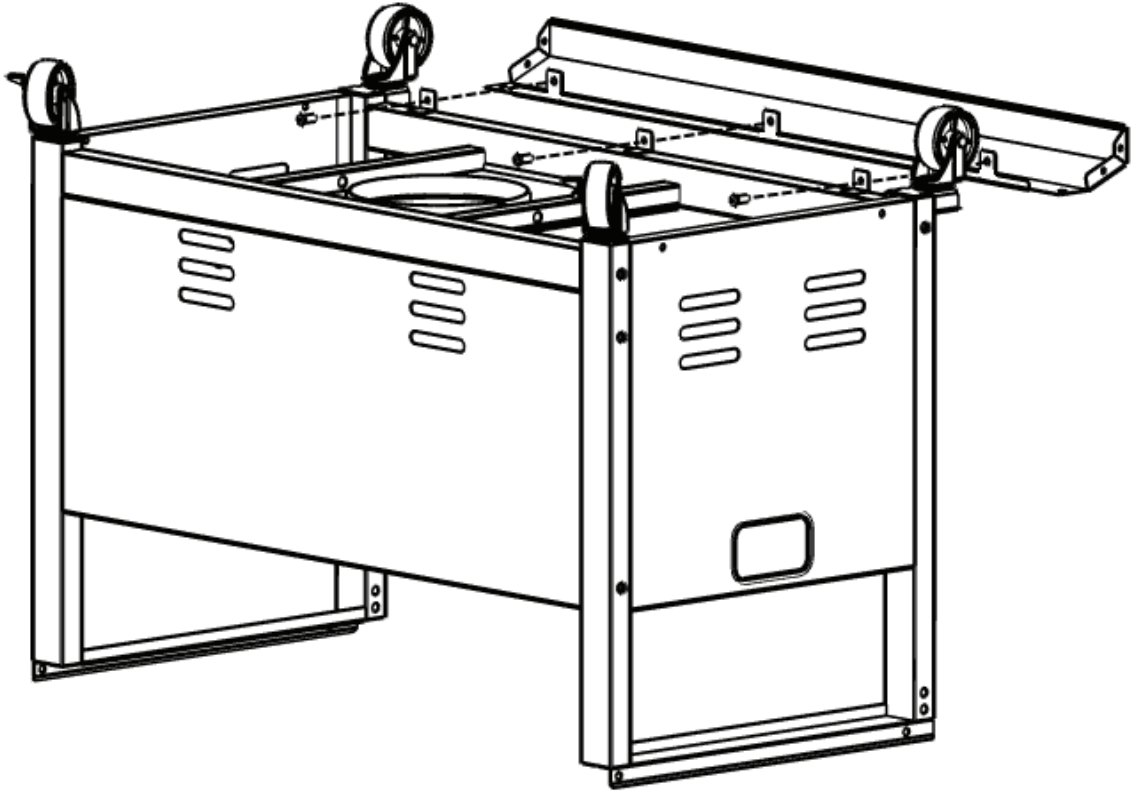


3

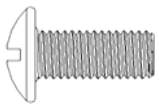


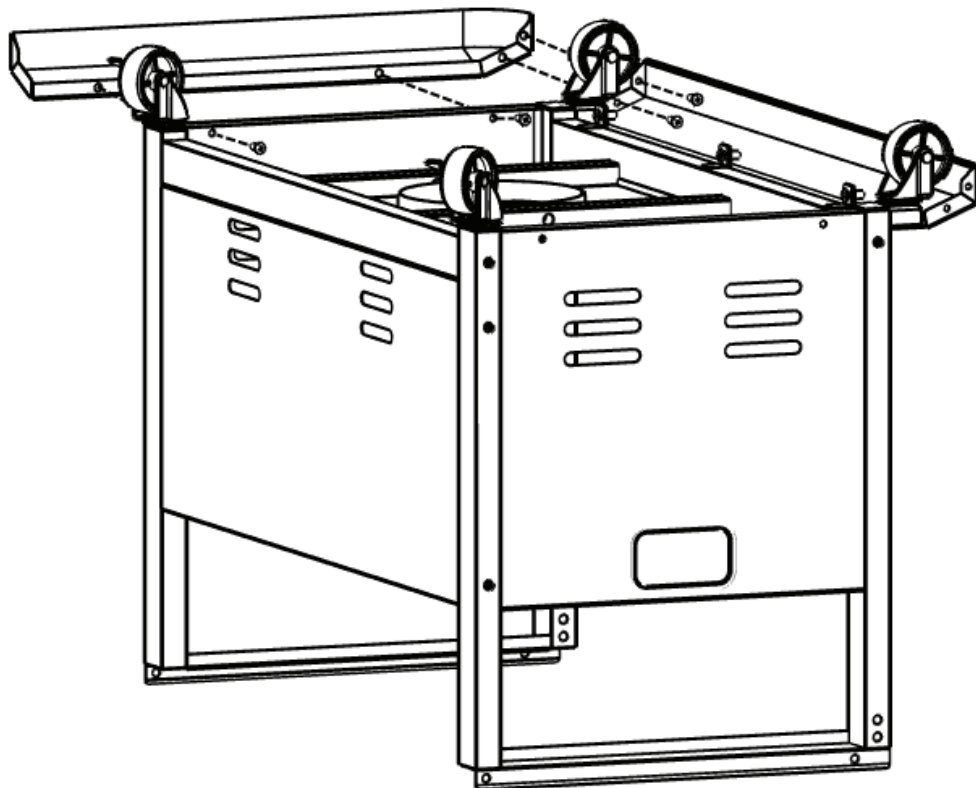
4

(3) 

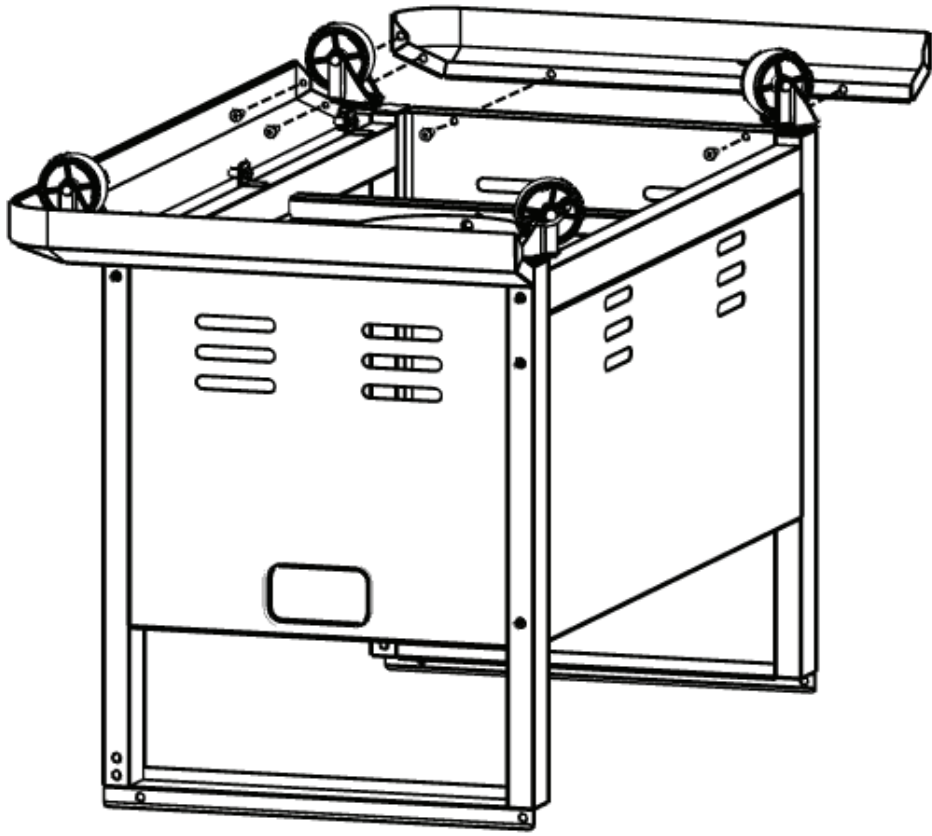
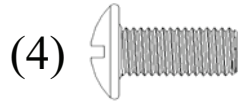


5

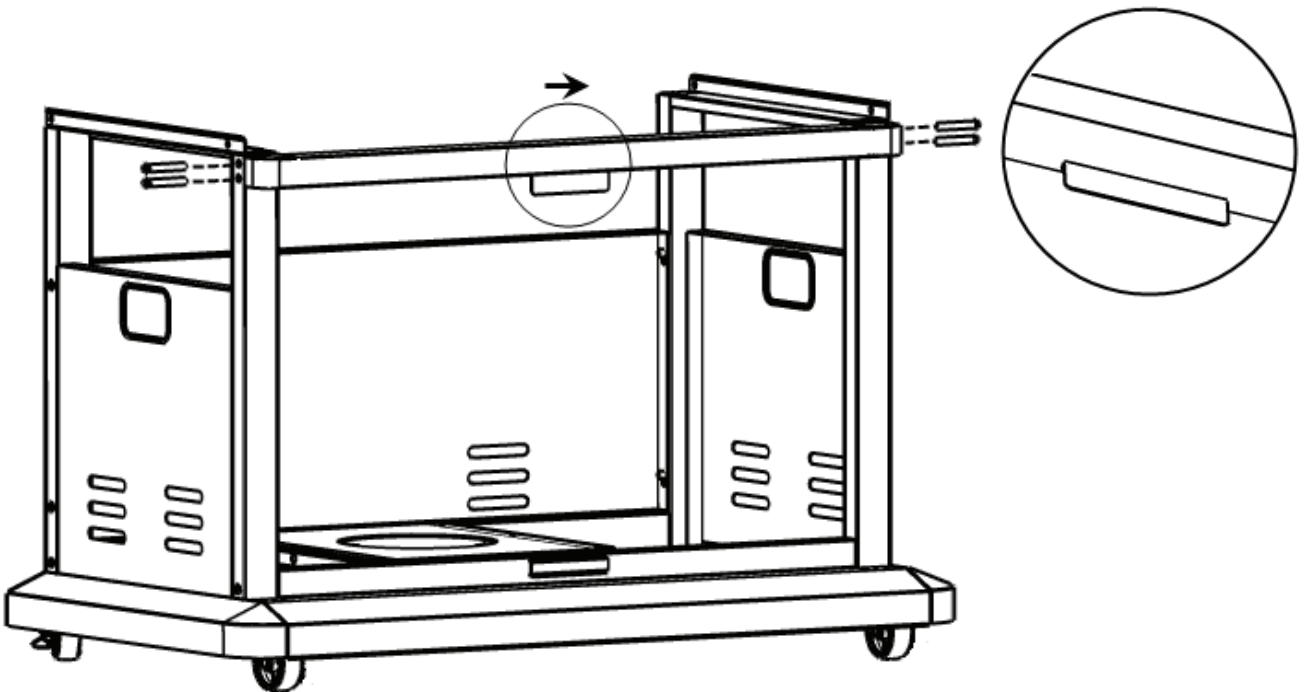
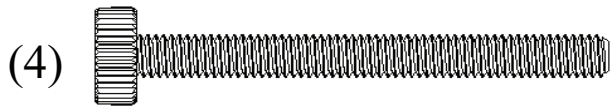
(4) 



6

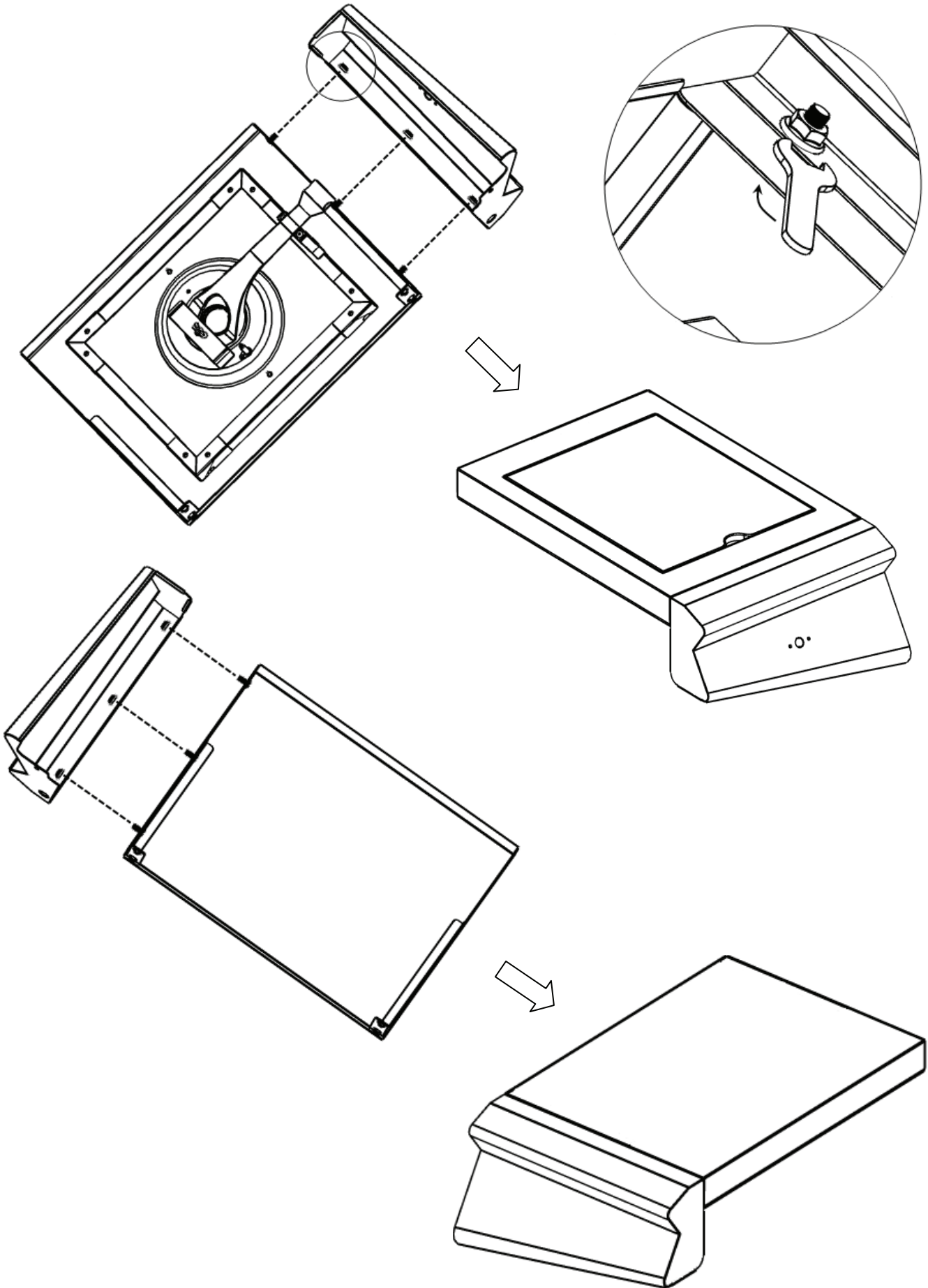
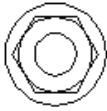


7




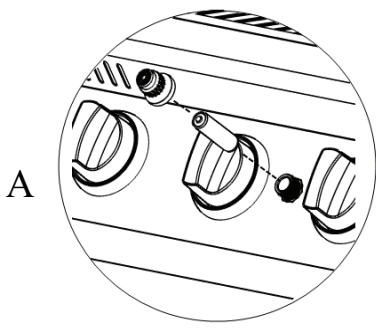
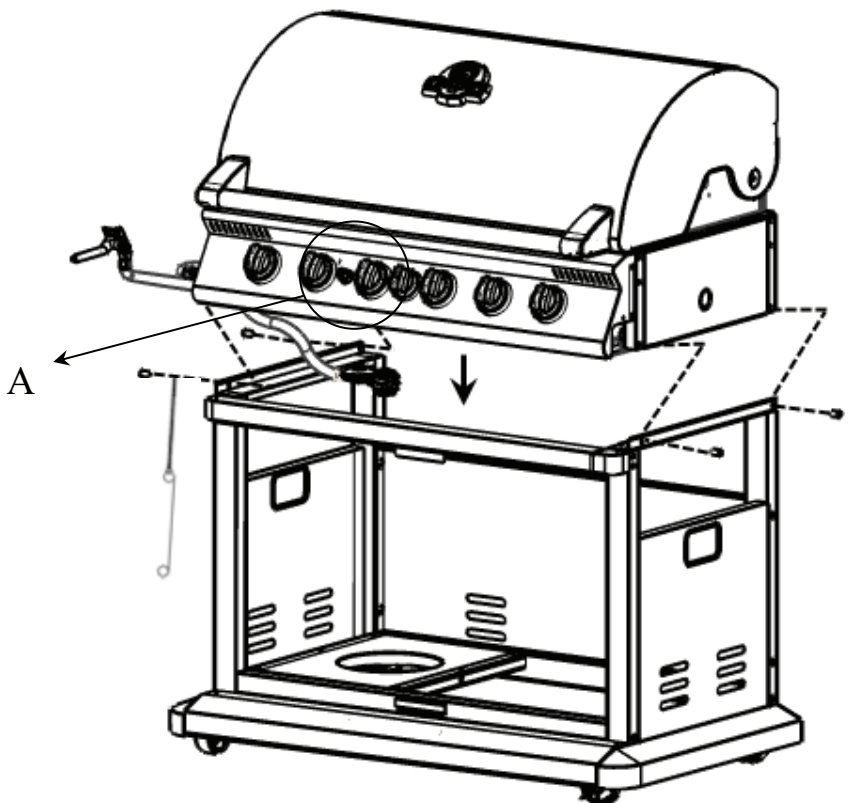
8

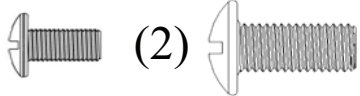
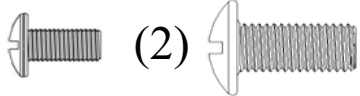
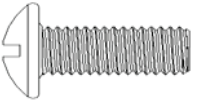
(6)

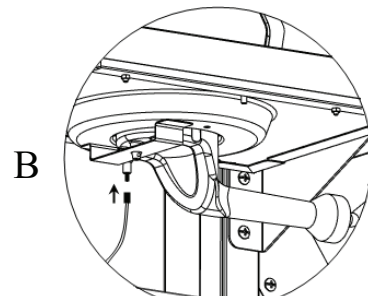
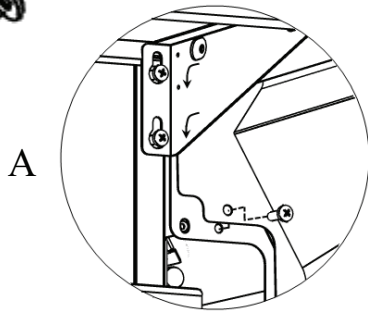
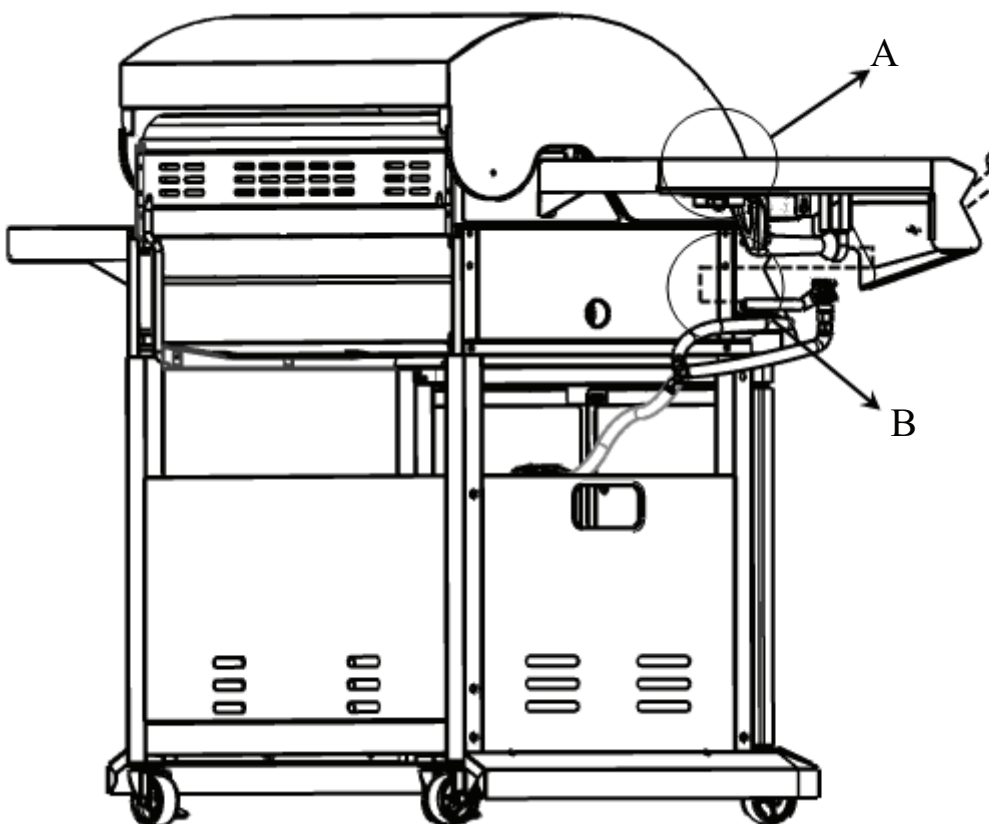




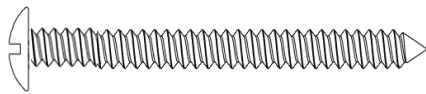
9 (4) 

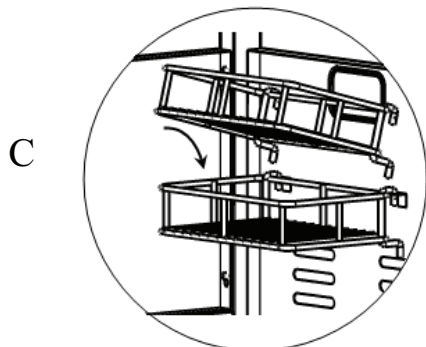
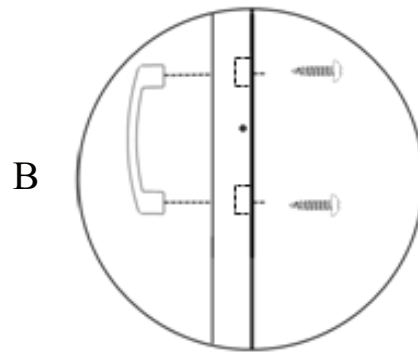
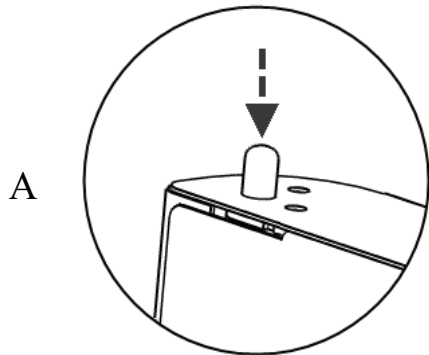
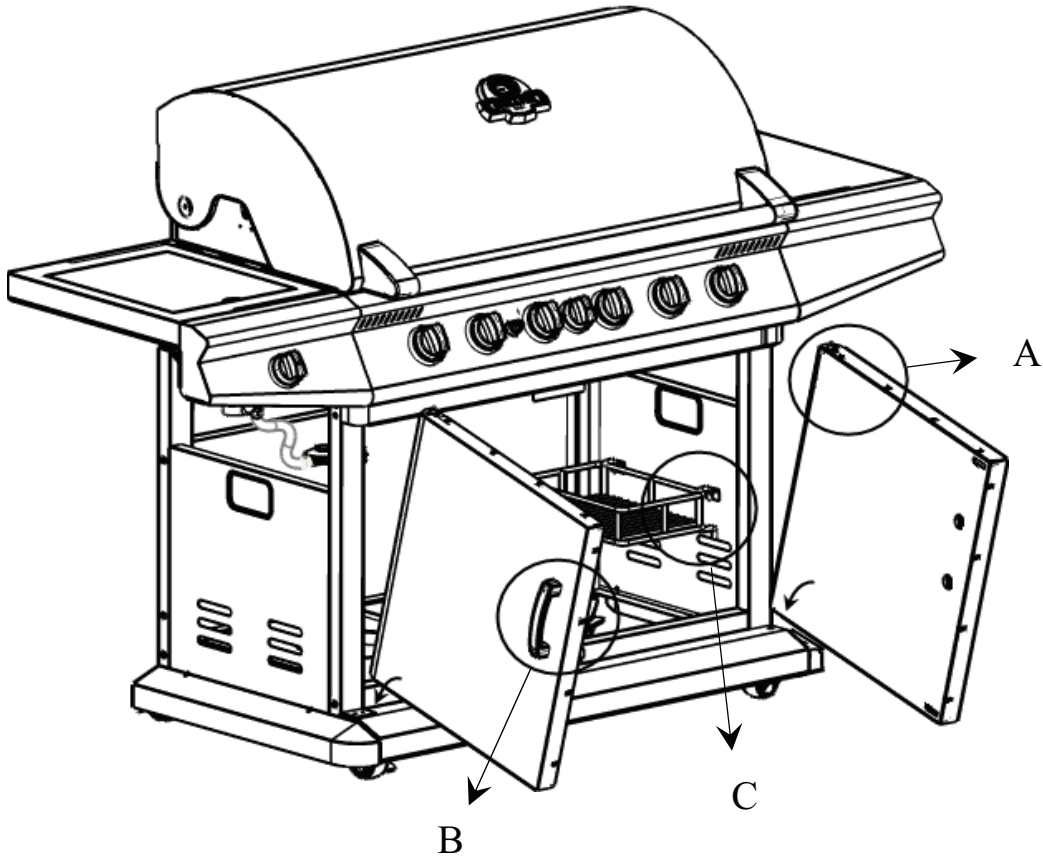
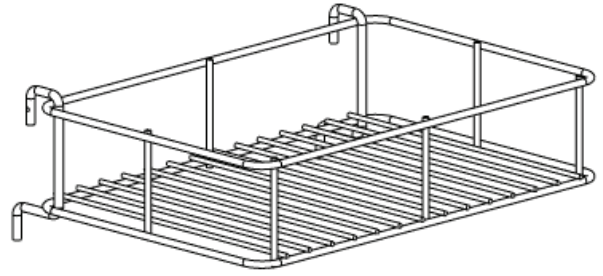


10 (2)  (2)  (8) 



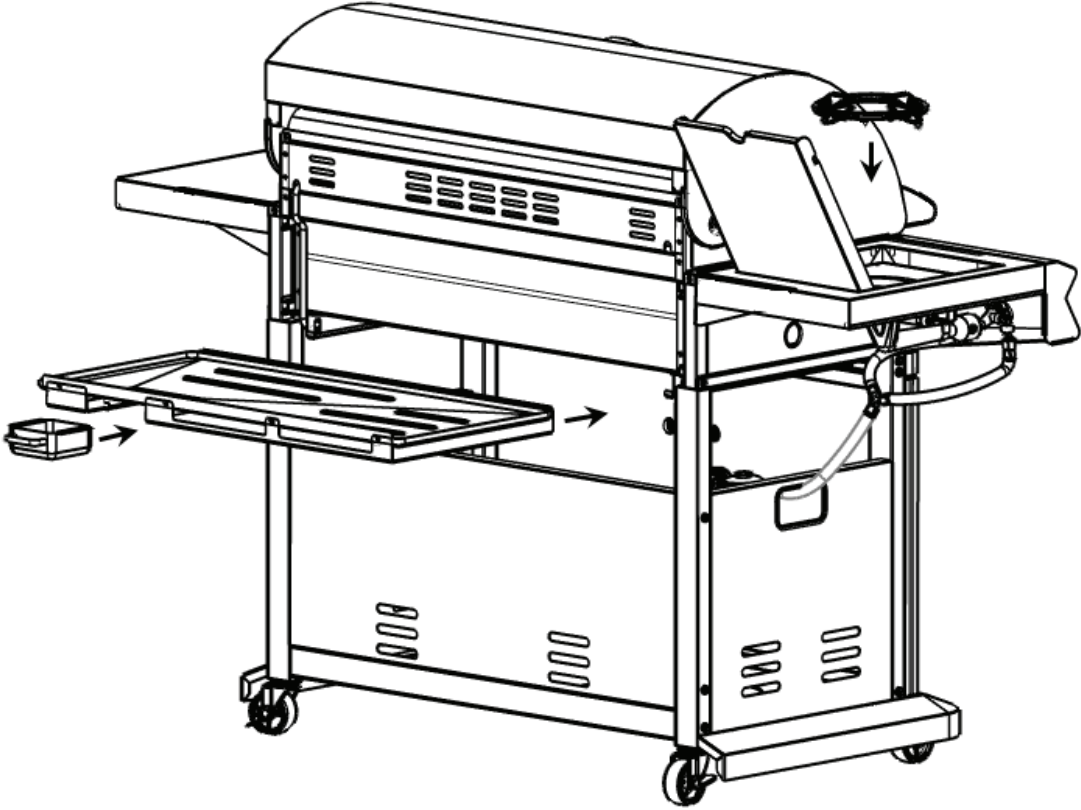
11

(2) 





12



13

