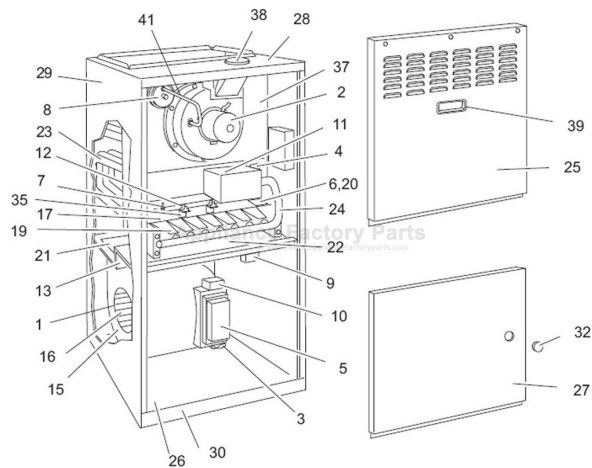


This Owner's Manual is provided and hosted by [Appliance Factory Parts](#).



YORK P3HUB16N06401A Owner's Manual

[Shop genuine replacement parts for YORK
P3HUB16N06401A](#)



[Find Your YORK HVAC Parts - Select From 19 Models](#)

----- Manual continues below -----



www.Source1Parts.com

P3HU - UPFLOW/HORIZONTAL NATURAL GAS FURNACES - (80%) (STYLES A & B, INCLUDING LOW NOX)

HVAC SERVICE PARTS

Supersedes: 035-14231-000 Rev. A (0603)

035-14231-000 Rev. B (1203)

1 of 12

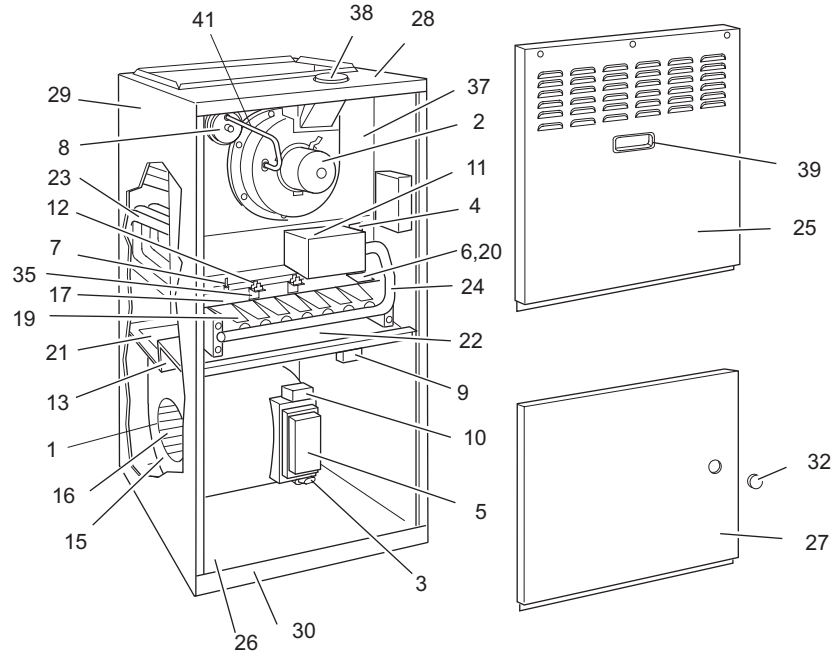


Figure 1: UPFLOW/HORIZONTAL NATURAL GAS FURNACES (80%)

FIG	ITEM	DESCRIPTION	P3HUA08N03201A	P3HUA08N04801A	P3HUA12N03201A	P3HUA12N04801A
			P3HUA08L03201A	P3HUA08L04801A	P3HUA12L03201A	P3HUA12L04801A
			(2 BURNER)	(3 BURNER)	(2 BURNER)	(3 BURNER)
MOTORS						
1	1	MOTOR, DIRECT DRIVE BLOWER	024-25108-003	024-25108-003	024-25103-002	024-25103-002
1	2	MOTOR, VENTOR ASS'Y.	024-27519-000	024-27519-000	024-27519-000	024-27519-000
ELECTRICAL						
1	3	CAPACITOR, RUN (5 MFD/370V) [RC]	024-20043-000	024-20043-000	---	---
		CAPACITOR, RUN (7.5MFD/370V) [RC]	---	---	024-20045-000	024-20045-000
1	4	CONTROL, HIGH LIMIT	025-29041-011	025-29041-002	025-29041-011	025-29041-002
1	5	CONTROL, FURNACE [FC]	031-01266-000	031-01266-000	031-01266-000	031-01266-000
1	6	IGNITER	025-32625-000	025-32625-000	025-32625-000	025-32625-000
1,3	7	SENSOR, FLAME	025-27773-000	025-27773-000	025-27773-000	025-27773-000
1	8	SWITCH, AIR PRESSURE [1LP]	024-27628-000	024-27628-000	024-27628-000	024-27628-000
1	9	SWITCH, DOOR [SW]	024-25811-000	024-25811-000	024-25811-000	024-25811-000
1	10	TRANSFORMER	025-30889-000	025-30889-000	025-30889-000	025-30889-000
1,3	11	VALVE, GAS	025-31996-000	025-31996-000	025-31996-000	025-31996-000
1,3	12	SWITCH, FLAME ROLL-OUT [ROS 3]	025-27747-016	025-27747-016	025-27747-016	025-27747-016
3	12A	CONTROL, FLAME ROLL-OUT (2ea.) [ROS1,2]	025-27792-009	025-27792-009	025-27792-009	025-27792-009
1	13	CONTROL, AUX. LIMIT (2 ea.) [LS2,LS3]	025-30321-000	025-30321-000	025-30321-000	025-30321-000
*	14	FUSE (AT0-3)	025-32746-026	025-32746-026	025-32746-026	025-32746-026
AIR MOVING						
1	15	HOUSING, BLOWER	373-17771-002	373-17771-002	373-17827-001	373-17827-001
1	16	WHEEL, BLOWER	026-19654-002	026-19654-002	026-35497-000	026-35497-000

NOTE: *Not Shown

New replacement parts shown in **bold** face type at the first printing of parts list dated 12/03.

Major components and suggested stocking items are shown with shaded item number.

"<" Across from row indicates a change in that row.

--- Not applicable

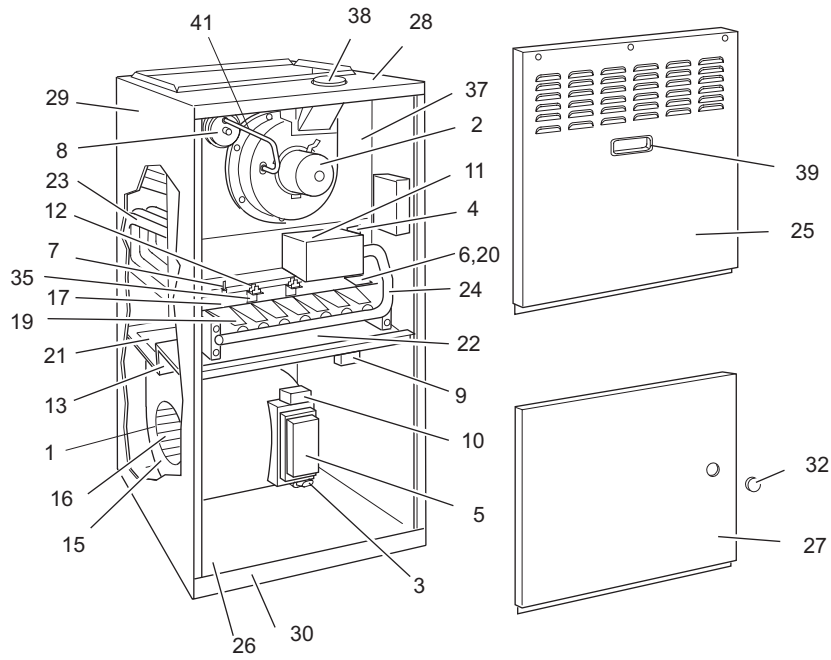


Figure 1: UPFLOW/HORIZONTAL NATURAL GAS FURNACES (80%)

FIG	ITEM	DESCRIPTION	P3HUA08N03201A	P3HUA08N04801A	P3HUA12N03201A P3HUA12N03201B	P3HUA12N04801A P3HUA12N04801B
			P3HUA08L03201A	P3HUA08L04801A	P3HUA12L03201A P3HUA12L03201B	P3HUA12L04801A P3HUA12L04801B
			(2 BURNER)	(3 BURNER)	(2 BURNER)	(3 BURNER)
FABRICATED PARTS						
1	17	SHIELD, SECONDARY AIR	073-17404-002	073-17404-003	073-17404-002	073-17404-003
*	18	BAFFLE, FLUE	073-17775-001	073-17775-001	073-17775-001	073-17775-001
1,3	19	BURNER, MAIN GAS	029-20482-000	029-20482-000	029-20482-000	029-20482-000
1	20	BRACKET, IGNITER	073-17403-000	073-17403-000	073-17403-000	073-17403-000
1	21	DECK, BLOWER (Rear)	073-17501-002	073-17501-002	073-17502-002	073-17502-002
1	22	DECK, FRONT	073-17496-000	073-17496-000	073-17496-000	073-17496-000
1	23	HEAT EXCHANGER ASS'Y	373-17477-002	373-17477-003	373-17477-002	373-17477-003
1,3	24	MANIFOLD, GAS	029-22114-001	029-22114-002	029-22114-001	029-22114-002
1	25	PANEL, ACCESS (Burner)	073-17520-001	073-17520-001	073-17520-001	073-17520-001
1	26	PAN, BASE	073-17504-001	073-17504-001	073-17504-001	073-17504-001
1	27	PANEL, FRONT (Blower)	073-17522-001	073-17522-001	073-17522-001	073-17522-001
1	28	PANEL, TOP	073-17491-001	073-17491-001	073-17491-001	073-17491-001
1	29	WRAPPER, INSULATED	373-17476-001	373-17476-001	373-17476-001	373-17476-001
1	30	CHANNEL, TOE PLATE	073-12062-005	073-12062-005	073-12062-005	073-12062-005

NOTE: *Not Shown

New replacement parts shown in **bold** face type at the first printing of parts list code dated 12/03.

Major components and suggested stocking items are shown with shaded item number.

"<" Across from row indicates a change in that row.

--- Not Applicable

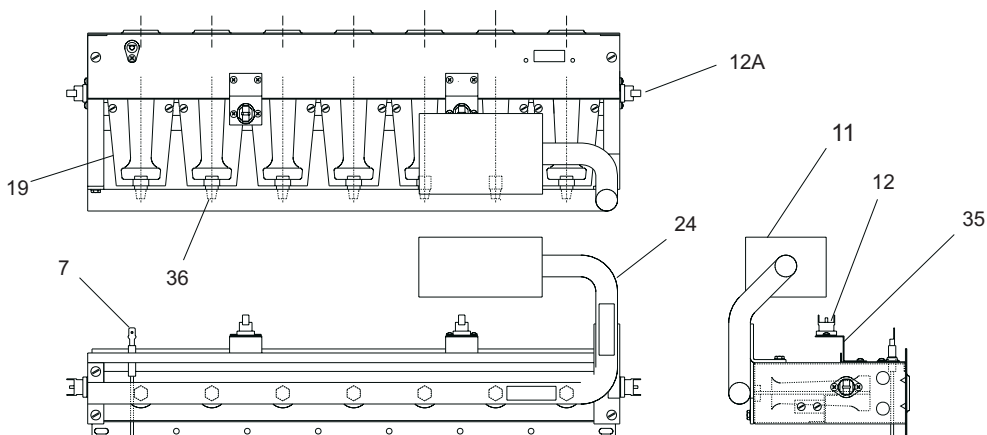


Figure 3 - GAS CONTROLS<

FIG	ITEM	DESCRIPTION	P3HUA08N03201A	P3HUA08N04801A	P3HUA12N03201A	P3HUA12N04801A
			P3HUA08L03201A	P3HUA08L04801A	P3HUA12L03201A	P3HUA12L04801A
			(2 BURNER)	(3 BURNER)	(2 BURNER)	(3 BURNER)
MISCELLANEOUS						
*	31	FILTER	026-28048-001	026-28048-001	026-28048-001	026-28048-001
1	32	PLUG, WINDOW, CLEAR - .875"	025-30899-000	025-30899-000	025-30899-000	025-30899-000
*	33	RETAINER, FILTER	026-28040-000	026-28040-000	026-28040-000	026-28040-000
*	34	CLIP, SPRING (FILTER RETAINER)	021-16017-000	021-16017-000	021-16017-000	021-16017-000
1,3	35	BRACKET, ROLL-OUT SWITCH	073-12033-000	073-12033-000	073-12033-000	073-12033-000
3	36	ORIFICE, BURNER (Natural #45)	029-21182-045	029-21182-045	029-21182-045	029-21182-045
1	37	PLATE, RESTRICTOR (N-Model) PLATE, RESTRICTOR (L-Model)	073-17777-106 073-17777-109	073-17777-138 073-17777-150	073-17777-106 073-17777-109	073-17777-138 073-17777-150
1	38	COLLAR, FLUE	073-17506-000	073-17506-000	073-17506-000	073-17506-000
1	39	HANDLE, DOOR	029-22113-000	029-22113-000	029-22113-000	029-22113-000
*	40	GASKET, RESTRICTOR PLATE	028-13258-000	028-13258-000	028-13258-000	028-13258-000
1	41	TUBING, SILICONE	028-12499-000	028-12499-000	028-12499-000	028-12499-000
*	42	SPRING, DOOR	029-22119-000	029-22119-000	029-22119-000	029-22119-000
*	43	DIAGRAM, WIRING	035-14440-000	035-14440-000	035-14440-000	035-14440-000
*	44	HARNESS, WIRING (Main)	373-17837-001	373-17837-001	373-17837-001	373-17837-001
*	45	GASKET, VENTOR INLET	028-13292-000	028-13292-000	028-13292-000	028-13292-000
*	46	GASKET, VENTOR OUTLET	028-13293-000	028-13293-000	028-13293-000	028-13293-000
*	47	SCREEN, LO NOX (L-Model only) (Qty. req'd equals no. of burners)	073-11904-000	073-11904-000	073-11904-000	073-11904-000

NOTE: *Not Shown

New replacement parts shown in **bold** face type at the first printing of parts list dated 12/03.

Major components and suggested stocking items are shown with shaded item number.

"<" Across from row indicates a change in that row.

--- Not Applicable



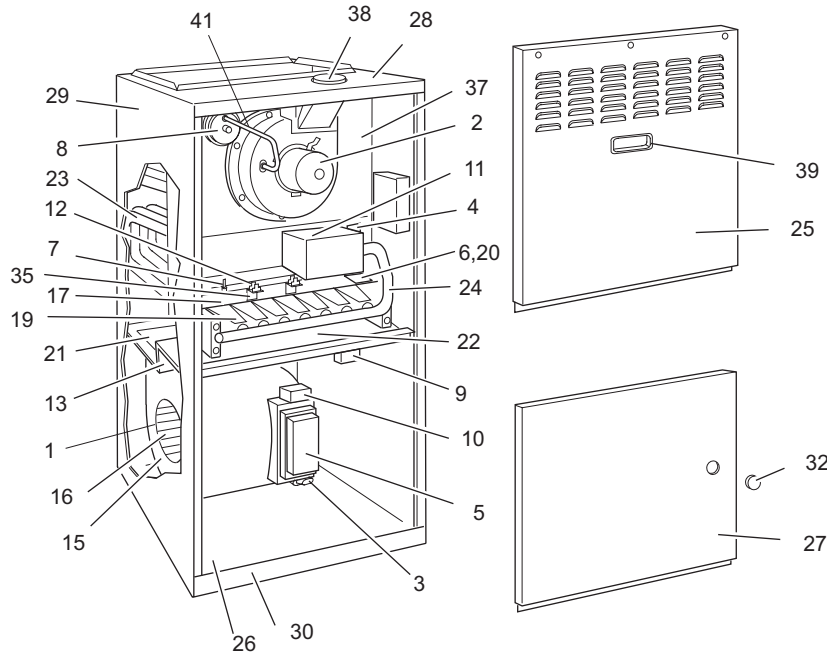


Figure 1: UPFLOW/HORIZONTAL NATURAL GAS FURNACES (80%)

FIG	ITEM	DESCRIPTION	P3HUA12N06401A	P3HUB12N08001A	P3HUB16N06401A	P3HUB16N08001A
			P3HUA12L06401A	P3HUB12L08001A	P3HUB16L06401A	P3HUB16L08001A
			(4 BURNER)	(5 BURNER)	(4 BURNER)	(5 BURNER)
MOTORS						
1	1	MOTOR,DIRECT DRIVE BLOWER	024-25103-002	024-25110-000	024-27540-000	024-27540-000
1	2	MOTOR,VENTOR ASS'Y	024-27519-000	024-27519-000	024-27519-000	024-27519-000
ELECTRICAL						
1	3	CAPACITOR, RUN (7.5MFD/370V) [RC]	024-20045-000	024-20045-000	---	---
		CAPACITOR, RUN (10MFD/370V) [RC]	---	---	024-20046-000	024-20046-000
1	4	CONTROL, HIGH LIMIT	025-29041-005	025-29041-005	025-29041-005	025-29041-005
1	5	CONTROL, FURNACE [FC]	031-01266-000	031-01266-000	031-01266-000	031-01266-000
1	6	IGNITER	025-32625-000	025-32625-000	025-32625-000	025-32625-000
1,3	7	SENSOR, FLAME	025-27773-000	025-27773-000	025-27773-000	025-27773-000
1	8	SWITCH, AIR PRESSURE [1LP]	024-27629-000	024-27630-000	024-27629-000	024-27630-000
1	9	SWITCH, DOOR [SW]	024-25811-000	024-25811-000	024-25811-000	024-25811-000
1	10	TRANSFORMER	025-30889-000	025-30889-000	025-30889-000	025-30889-000
1,3	11	VALVE, GAS	025-31996-000	025-31996-000	025-31996-000	025-31996-000
1,3	12	SWITCH, FLAME ROLL-OUT [ROS 3]	025-27747-016	025-27747-018	025-27747-016	025-27747-018
3	12A	CONTROL,FLAME ROLL-OUT (2ea.][ROS1,2]	025-27792-009	025-27792-009	025-27792-009	025-27792-009
*	13	CONTROL, AUX. LIMIT (2 ea.][LS2,LS3]	025-30321-000	025-30321-000	025-30321-000	025-30321-000
*	14	FUSE (ATO 3)	025-32746-026	025-32746-026	025-32746-026	025-32746-026
AIR MOVING						
1	15	HOUSING, BLOWER	373-17827-001	373-17827-001	373-17827-001	373-17828-001
1	16	WHEEL, BLOWER	026-35497-000	026-35497-000	026-19654-005	026-19654-005

NOTE: *Not Shown

New replacement parts shown in **bold** face type at the first printing of parts list dated 12/03.

Major components and suggested stocking items are shown with shaded item number.

"<" Across from row indicates a change in that row.

--- Not Applicable



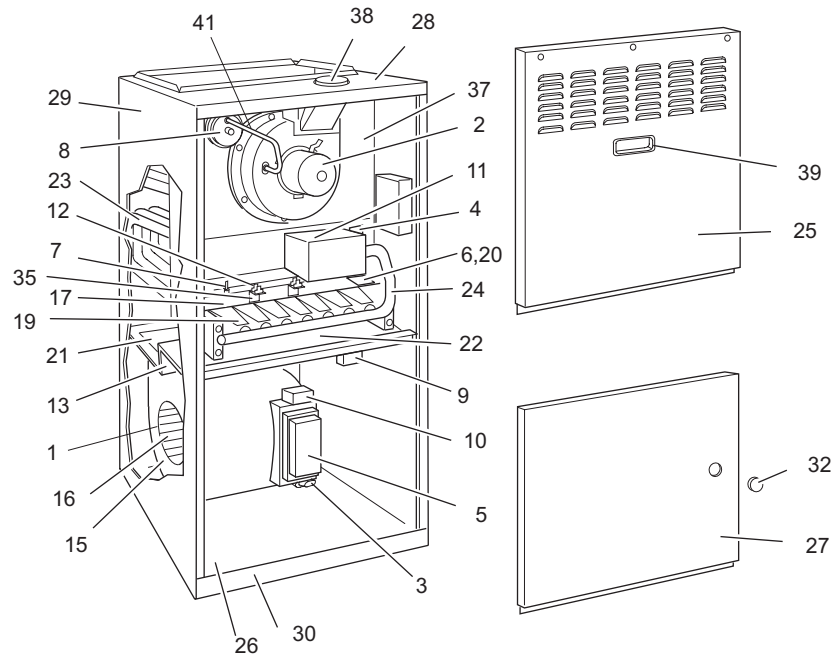


Figure 1: UPFLOW/HORIZONTAL NATURAL GAS FURNACES (80%)

FIG	ITEM	DESCRIPTION	P3HUA12N06401A	P3HUB12N08001A	P3HUB16N06401A	P3HUB16N08001A
			P3HUA12N06401B		P3HUB16N06401B	
			P3HUA12L06401A	P3HUB12L08001A	P3HUB16L06401A	P3HUB16L08001A
			(4 BURNER)	(5 BURNER)	(4 BURNER)	(5 BURNER)
FABRICATED PARTS						
1	17	SHIELD, SECONDARY AIR	073-17404-004	073-17404-005	073-17404-004	073-17404-005
*	18	BAFFLE, FLUE	073-17775-002	073-17775-002	073-17775-002	073-17775-003
1,3	19	BURNER, MAIN GAS	029-20482-000	029-20482-000	029-20482-000	029-20482-000
1	20	BRACKET, IGNITER	073-17403-000	073-17403-000	073-17403-000	073-17403-000
1	21	DECK, BLOWER (Rear)	073-17502-002	073-12081-001	073-17503-002	073-17503-002
1	22	DECK, FRONT	073-17496-000	073-17497-000	073-17497-000	073-17497-000
1	23	HEAT EXCHANGER ASS'Y	373-17477-004	373-17477-005	373-17477-008	373-17477-005
1,3	24	MANIFOLD, GAS	029-22114-003	029-22114-004	029-22114-003	029-22114-009
1	25	PANEL, ACCESS (Burner)	073-17520-001	073-17520-002	073-17520-002	073-17520-002
1	26	PAN, BASE	073-17504-001	073-17504-002	073-17504-002	073-17504-002
1	27	PANEL, FRONT (Blower)	073-17522-001	073-17522-002	073-17522-002	073-17522-002
1	28	PANEL, TOP	073-17491-002	073-17492-000	073-17492-000	073-17492-000
1	29	WRAPPER, INSULATED	373-17476-001	373-17476-002	373-17476-002	373-17476-002
1	30	CHANNEL, TOE PLATE	073-12062-005	073-12062-002	073-12062-002	073-12062-002

NOTE: *Not Shown
 New replacement parts shown in **bold** face type at the first printing of parts list dated 12/03.
 Major components and suggested stocking items are shown with shaded item number.
 "<" Across from row indicates a change in that row.
 --- Not Applicable



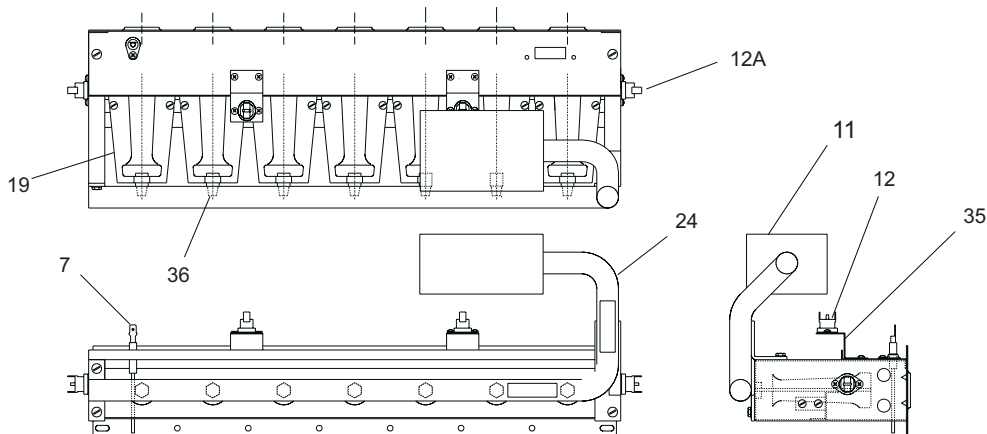


Figure 3 - GAS CONTROLS<

FIG	ITEM	DESCRIPTION	P3HUA12N06401A	P3HUB12N08001A	P3HUB16N06401A	P3HUB16N08001A
			P3HUA12N06401B	P3HUB12L08001A	P3HUB16L06401A	P3HUB16L08001A
			P3HUA12L06401A		P3HUB16L06401B	
			P3HUA12L06401B		P3HUB16L06401B	
			(4 BURNER)	(5 BURNER)	(4 BURNER)	(5 BURNER)
MISCELLANEOUS						
*	31	FILTER	028-28048-001	028-28048-001	028-28048-001	028-28048-001
1	32	PLUG, WINDOW, CLEAR - .875"	025-30899-000	025-30899-000	025-30899-000	025-30899-000
*	33	RETAINER, FILTER	026-28040-000	026-28040-000	026-28040-000	026-28040-000
*	34	CLIP, SPRING (FILTER RETAINER)	021-16017-000	021-16017-000	021-16017-000	021-16017-000
1,3	35	BRACKET, ROLL-OUT SWITCH	073-12033-000	073-12033-000	073-12033-000	073-12033-000
3	36	ORIFICE, BURNER (Natural #45)	029-21182-045	029-21182-045	029-21182-045	029-21182-045
1	37	PLATE, RESTRICTOR (N-Model)	073-17487-159	073-17487-172	073-17785-159	073-17488-172
		PLATE, RESTRICTOR (L-Model)	073-17487-172	073-17488-191	073-17785-172	073-17488-191
1	38	COLLAR, FLUE	073-17507-000	073-17507-000	073-17507-000	073-17507-000
1	39	HANDLE, DOOR	029-22113-000	029-22113-000	029-22113-000	029-22113-000
*	40	GASKET, RESTRICTOR PLATE	028-13259-000	028-13259-000	028-13259-000	028-13260-000
1	41	TUBING, SILICONE	028-12499-000	028-12499-000	028-12499-000	028-12499-000
*	42	ISOLATOR, TUBE (3 Req'd)	---	028-09412-001	028-09412-001	028-09412-001
*	43	ISOLATOR, WASHER (3 Req'd)	---	028-09412-002	028-09412-002	028-09412-002
*	44	ISOLATOR, SLEEVE (3 Req'd)	---	028-09412-003	028-09412-003	028-09412-003
*	45	SPRING, DOOR	029-22119-000	029-22119-000	029-22119-000	029-22119-000
*	46	MOUNT, MOTOR	---	026-31480-000	026-31480-000	026-31480-000
*	47	DIAGRAM, WIRING	035-14440-000	035-14440-000	035-14440-000	035-14440-000
*	48	HARNESS, WIRING (Main)	373-17837-001	373-17837-001	373-17837-001	373-17837-002
*	49	GASKET, VENTOR INLET	028-13292-000	028-13292-000	028-13292-000	028-13292-000
*	50	GASKET, VENTOR OUTLET	028-13293-000	028-13293-000	028-13293-000	028-13293-000
*	51	SCREEN, LO NOX (Qty. req'd equals no. of burners)	073-11904-000	073-11904-000	073-11904-000	073-11904-000

NOTE: *Not Shown

New replacement parts shown in **bold** face type at the first printing of parts list dated 6/03.

Major components and suggested stocking items are shown with shaded item number.

"<" Across from row indicates a change in that row.

--- Not Applicable



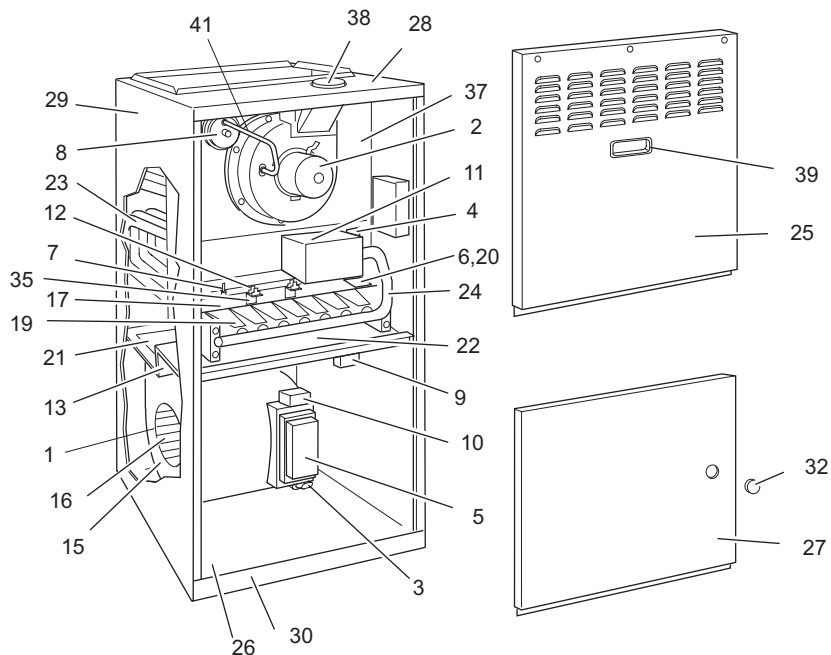


Figure 1: UPFLOW/HORIZONTAL NATURAL GAS FURNACES (80+%)

FIG	ITEM	DESCRIPTION	P3HUC16N09201A	P3HUC20N06401A	P3HUC20N08001A	P3HUC20N09201A
			P3HUC16L09201A	P3HUC20L06401A	P3HUC20L08001A	P3HUC20L09201A
			(6 BURNER)	(4 BURNER)	(5 BURNER)	(6 BURNER)
MOTORS						
1	1	MOTOR, BLOWER (Style A)	024-27540-000	024-23211-003	024-23211-003	024-23211-003
		MOTOR, BLOWER (Style B)	---	024-23238-001	024-23238-001	024-23238-001
1	2	MOTOR, VENTOR ASS'Y	024-27519-000	024-27519-000	024-27519-000	024-27519-000
ELECTRICAL						
1	3	CAPACITOR, RUN (10MFD/370V) (Style A) [RC]	024-20046-000	024-20046-000	024-20046-000	024-20046-000
		CAPACITOR, RUN (15MFD/370V) (Style B) [RC]	---	024-20446-000	024-20446-000	024-20446-000
1	4	CONTROL, HIGH LIMIT	025-29041-005	025-29041-005	025-29041-002	025-29041-005
1	5	CONTROL, FURNACE [FC]	031-01266-000	031-01266-000	031-01266-000	031-01266-000
1	6	IGNITER	025-32625-000	025-32625-000	025-32625-000	025-32625-000
1,3	7	SENSOR, FLAME	025-27773-000	025-27773-000	025-27773-000	025-27773-000
1	8	SWITCH, AIR PRESS. (Style A) [1LP]	024-27630-000	024-25808-001	024-25808-007	024-25808-007
		SWITCH, AIR PRESS. (Style B) [1LP]	---	024-27629-000	024-27630-000	024-27630-000
1	9	SWITCH, DOOR [SW]	024-25811-000	024-25811-000	024-25811-000	024-25811-000
1	10	TRANSFORMER	025-30889-000	025-30889-000	025-30889-000	025-30889-000
1,3	11	VALVE, GAS	025-31996-000	025-31996-000	025-31996-000	025-31996-000
1,3	12	SWITCH, FLAME ROLL-OUT [ROS 3]	025-27747-018	025-27747-016	025-27747-018	025-27747-018
3	12A	CONTROL, FLAME ROLL-OUT (2ea.) [ROS1,2]	025-27792-009	025-27792-009	025-27792-009	025-27792-009
1	13	CONTROL, AUX. LIMIT (2 ea.) [LS2,LS3]	025-30321-000	025-30321-000	025-30321-000	025-30321-000
*	14	FUSE (ATO 3)	025-32746-026	025-32746-026	025-32746-026	025-32746-026
AIR MOVING						
1	15	HOUSING, BLOWER	373-17828-001	373-17829-001	373-17829-001	373-17829-001
1	16	WHEEL, BLOWER	026-19654-005	026-19654-014	026-19654-014	026-19654-014
*	16A	CUTOFF, BLOWER (Panel Filler)	---	063-78006-000	063-78006-000	063-78006-000

NOTE: *Not Shown
 New replacement parts shown in **bold** face type at the first printing of parts list dated 6/03.
 Major components and suggested stocking items are shown with shaded item number.
 "<" Across from row indicates a change in that row.
 --- Not Applicable

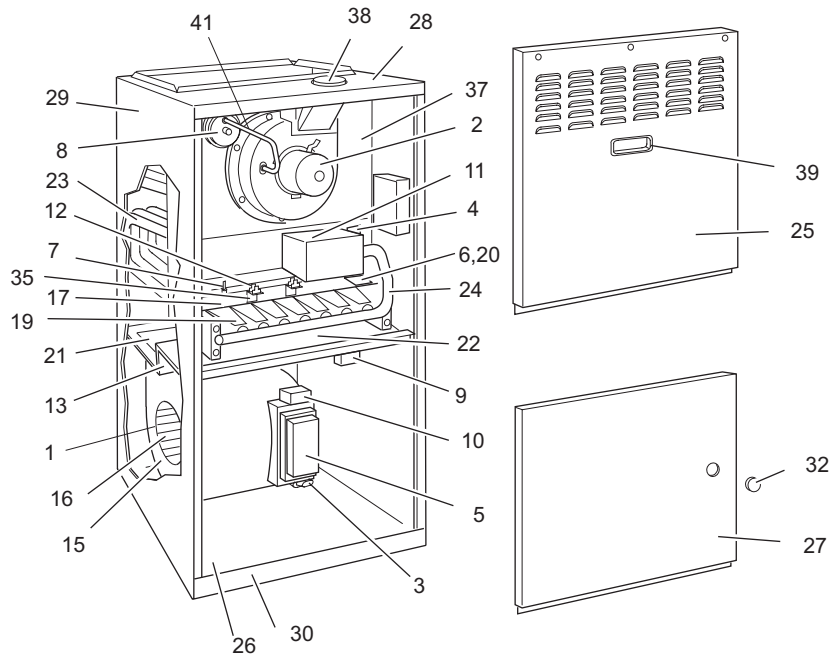


Figure 1: UPFLOW/HORIZONTAL NATURAL GAS FURNACES (80%)

FIG	ITEM	DESCRIPTION	P3HUC16N09201A	P3HUC20N06401A P3HUC20N06401B	P3HUC20N08001A P3HUC20N08001B	P3HUC20N09201A P3HUC20N09201B
			P3HUC16L09201A	P3HUC20L06401A P3HUC20L06401B	P3HUC20L08001A P3HUC20L08001B	P3HUC20L09201A P3HUC20L09201B
			(6 BURNER)	(4 BURNER)	(5 BURNER)	(6 BURNER)
FABRICATED PARTS						
1	17	SHIELD, SECONDARY AIR	073-17404-006	073-17404-004	073-17404-005	073-17404-006
*	18	BAFFLE, FLUE	073-17775-004	073-17775-002	073-17775-003	073-17775-004
1,3	19	BURNER, MAIN GAS	029-20482-000	029-20482-000	029-20482-000	029-20482-000
1	20	BRACKET, IGNITER	073-17403-000	073-17403-000	073-17403-000	073-17403-000
1	21	DECK, BLOWER (Rear)	073-12082-001	073-12082-001	073-12082-001	073-12082-001
1	22	DECK, FRONT	073-17498-000	073-17498-000	073-17498-000	073-17498-000
1	23	HEAT EXCHANGER ASS'Y	373-17477-006	373-17477-009	373-17477-010	373-17477-006
1,3	24	MANIFOLD, GAS	373-22114-005	373-22114-003	373-22114-004	373-22114-005
1	25	PANEL, ACCESS (Burner)	073-17520-003	073-17520-003	073-17520-003	073-17520-003
1	26	PAN, BASE	073-17504-003	073-17504-003	073-17504-003	073-17504-003
1	27	PANEL, FRONT (Blower)	073-17522-003	073-17522-003	073-17522-003	073-17522-003
1	28	PANEL, TOP	073-17493-000	073-17493-000	073-17493-000	073-17493-000
1	29	WRAPPER, INSULATED	373-17476-003	373-17476-003	373-17476-003	373-17476-003
1	30	CHANNEL, TOE PLATE	073-12062-003	073-12062-003	073-12062-003	073-12062-003

NOTE: *Not Shown
 New replacement parts shown in **bold** face type at the first printing of parts list dated 12/03.
 Major components and suggested stocking items are shown with shaded item number.
 “<” Across from row indicates a change in that row.
 --- Not Applicable



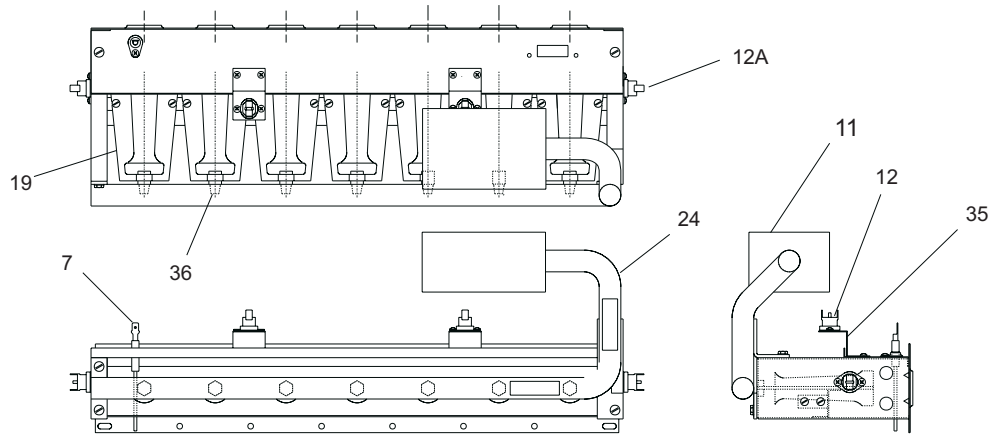


Figure 3 - GAS CONTROLS<

FIG	ITEM	DESCRIPTION	P3HUC16N09201A	P3HUC20N06401A	P3HUC20N08001A	P3HUC20N09201A
			P3HUC16L09201A	P3HUC20L06401A	P3HUC20L08001A	P3HUC20L09201A
			(6 BURNER)	(4 BURNER)	(5 BURNER)	(6 BURNER)
MISCELLANEOUS						
*	31	FILTER	026-28048-003	026-28048-003	026-28048-003	026-28048-003
1	32	PLUG, WINDOW, CLEAR - .875"	025-30899-000	025-30899-000	025-30899-000	025-30899-000
*	33	RETAINER, FILTER	026-28040-000	026-28040-000	026-28040-000	026-28040-000
*	34	CLIP, SPRING (FILTER RETAINER)	021-16017-000	021-16017-000	021-16017-000	021-16017-000
1,3	35	BRACKET, ROLL-OUT SWITCH	073-12033-000	073-12033-000	073-12033-000	073-12033-000
3	36	ORIFICE, BURNER (Natural #45)	029-21182-045	029-21182-045	029-21182-045	029-21182-045
1	37	PLATE, RESTRICTOR (N-Model, Style A)	073-17489-177	073-17786-159	073-17787-172	073-17489-177
		PLATE, RESTRICTOR (N-Model, Style B)	---	073-17786-159	073-17787-172	073-17489-184
		PLATE, RESTRICTOR (L-Model)	073-17489-213	073-17786-172	073-17787-191	073-17489-213
1	38	COLLAR, FLUE	073-17507-000	073-17507-000	073-17507-000	073-17507-000
1	39	HANDLE, DOOR	029-22113-000	029-22113-000	029-22113-000	029-22113-000
*	40	GASKET, RESTRICTOR PLATE	028-13261-000	028-13282-000	028-13283-000	028-13261-000
1	41	TUBING, SILICONE	028-12499-000	028-12499-000	028-12499-000	028-12499-000
*	42	ISOLATOR, TUBE (3 Req'd)	028-09412-001	028-09412-001	028-09412-001	028-09412-001
*	43	ISOLATOR, WASHER (3 Req'd)	028-09412-002	028-09412-002	028-09412-002	028-09412-002
*	44	ISOLATOR, SLEEVE (3 Req'd)	028-09412-003	028-09412-003	028-09412-003	028-09412-003
*	45	SPRING, DOOR	029-22119-000	029-22119-000	029-22119-000	029-22119-000
*	46	MOUNT, MOTOR	026-31480-000	026-31459-000	026-31459-000	026-31459-000
*	47	DIAGRAM, WIRING	035-14440-000	035-14440-000	035-14440-000	035-14440-000
*	48	HARNESS, WIRING (Main)	373-17837-003	373-17837-002	373-17837-002	373-17837-003
*	49	GASKET, VENTOR INLET	028-13292-000	028-13292-000	028-13292-000	028-13292-000
*	50	GASKET, VENTOR OUTLET	028-13293-000	028-13293-000	028-13293-000	028-13293-000
*	51	SCREEN, LO NOX (L-Model only) (Qty. req'd equals no. of burners)	073-11904-000	073-11904-000	073-11904-000	073-11904-000

NOTE: *Not Shown
 New replacement parts shown in **bold** face type at the first printing of parts list dated 12/03.
 Major components and suggested stocking items are shown with shaded item number.
 "<" Across from row indicates a change in that row.
 --- Not Applicable



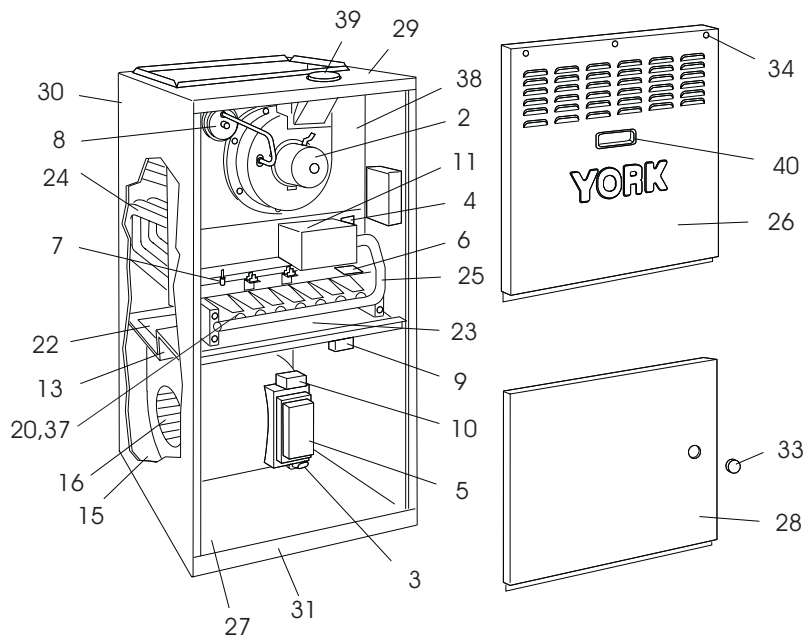


Figure 2: - UPFLOW/HORIZONTAL NATURAL GAS FURNACES (80%)<

FIG	ITEM	DESCRIPTION	P3HUD20N10401A
			P3HUD20L10401A (7 BURNER)
MOTORS			
2	1	MOTOR,DIRECT DRIVE BLOWER	024-23238-001
2	2	MOTOR,VENTOR ASS'Y	024-27519-000
ELECTRICAL			
2	3	CAPACITOR, RUN (15MFD/370V) [RC]	024-20446-000
2	4	CONTROL, HIGH LIMIT	025-29041-011
2	5	CONTROL, FURNACE [FC]	031-01266-000
2	6	IGNITER	025-32625-000
2,3	7	SENSOR, FLAME	025-27773-000
2	8	SWITCH, AIR PRESSURE [1LP]	024-27630-000
2	9	SWITCH, DOOR [SW]	024-25811-000
2	10	TRANSFORMER	025-30889-000
2,3	11	VALVE, GAS	025-27747-018
2,3	12	SWITCH, FLAME ROLL-OUT [ROS 3]	025-27747-018
3	12A	CONTROL,Flame Roll Out (2ea.)(ROS1,2)	025-27792-009
2	13	CONTROL, AUX. LIMIT (2 ea.)(LS2,LS3)	025-30321-000
*	14	FUSE (ATO 3)	025-32746-026
AIR MOVING			
2	15	HOUSING, BLOWER	373-17829-001
2	16	WHEEL, BLOWER	026-19654-014
*	17	CUTOFF, BLOWER (Panel Filler)	063-78006-000
FABRICATED PARTS			
2	18	SHIELD, SECONDARY AIR	073-17404-007
*	19	BAFFLE, FLUE	073-17775-005
2,3	20	BURNER, MAIN GAS	029-20482-000
2	21	BRACKET, IGNITER	073-17403-000
2	22	DECK, BLOWER (Rear)	073-12083-001
2	23	DECK, FRONT	073-17499-000
2	24	HEAT EXCHANGER ASS'Y	373-17477-007
2,3	25	MANIFOLD, GAS	029-22114-006
2	26	PANEL, ACCESS (Burner)	073-17520-004
2	27	PAN, BASE	073-17504-004
2	28	PANEL, FRONT (Blower)	073-17522-004
2	29	PANEL, TOP	073-17494-000
2	30	WRAPPER, INSULATED	373-17476-004
2	31	CHANNEL, TOE PLATE	073-12062-004

FIG	ITEM	DESCRIPTION	P3HUD20N10401A
			P3HUD20L10401A
			(7 BURNER)
MISCELLANEOUS			
*	32	FILTER	026-28048-001
2	33	PLUG, WINDOW, CLEAR - .875"	025-30899-000
*	34	RETAINER, FILTER	026-28040-000
*	35	CLIP, SPRING (FILTER RETAINER)	021-16017-000
2,3	36	BRACKET, ROLL-OUT SWITCH	073-12033-000
2	37	ORIFICE, BURNER (Natural #45)	029-21182-045
2	38	PLATE, RESTRICTOR (N-Model) PLATE, RESTRICTOR (L-Model)	073-17490-194 073-17490-213
2	39	COLLAR, FLUE	073-17507-000
2	40	HANDLE, DOOR	029-22113-000
*	41	GASKET, RESTRICTOR PLATE	028-13262-000
2	42	TUBING, SILICONE	028-12499-000
*	43	ISOLATOR, TUBE (3 Req'd)	028-09412-001
*	44	ISOLATOR, WASHER (3 Req'd)	028-09412-002
*	45	ISOLATOR, SLEEVE (3 Req'd)	028-09412-003
*	46	SPRING, DOOR	029-22119-000
*	47	MOUNT, MOTOR	026-31459-000
*	48	DIAGRAM, WIRING	035-14440-000
*	49	HARNES, WIRING (Main)	373-17838-003
*	50	GASKET, VENTOR INLET	028-13292-000
*	51	GASKET, VENTOR OUTLET	028-13293-000
*	52	SCREEN, LO NOX (L-Model only) (Qty. req'd equals no. of burners)	073-11904-000

NOTE: *Not Shown

New replacement parts shown in **bold** face type at the first printing of parts list dated 12/03.

Major components and suggested stocking items are shown with shaded item number.

"<" Across from row indicates a change in that row.

--- Not Applicable



FIELD INSTALLED ACCESSORIES - NON-ELECTRICAL		
MODEL NO.	DESCRIPTION	USED WITH
1NP0347	PROPANE (LP) CONVERSION KIT	ALL MODELS EXCEPT P3HUDN048, 092 AND 104
1NP0348	PROPANE (LP) CONVERSION KIT	P3HUDN048, 092 AND 104 ONLY
1PS0301	HIGH ALTITUDE KIT (Does not include orifices)	ALL MODELS
1PS0302		
1PS0311		
1PS0312		
1SR0302	EXTERNAL FILTER RACK- WITH FILTER (6-PACK)	ALL MODELS
1BR0305	FILTER RACK WITH HIGH VELOCITY FILTER FOR HORIZONTAL APPLICATION OR EXTENRAL ACCESS UPFLOW BOTTOM RETURN	14 1/2" CABINETS
1BR0302		17 1/2" CABINETS
1BR0303		21 CABINETS
1BR0304		24 1/2" CABINETS

TO ORDER AUTHORIZED FACTORY REPLACEMENT PARTS - Contact your Source1 HVAC Parts Distributor or visit our website at www.Source1Parts.com for a Distributor and Dealer listing.

Subject to change without notice. Printed in U.S.A.
Copyright © by York International Corp. 2003. All rights reserved.

035-14231-000 Rev. B (1203)
Supersedes: 035-14231-000 Rev. A (0603)

**Unitary
Products
Group**

**5005
York
Drive**

**Norman
OK
73069**