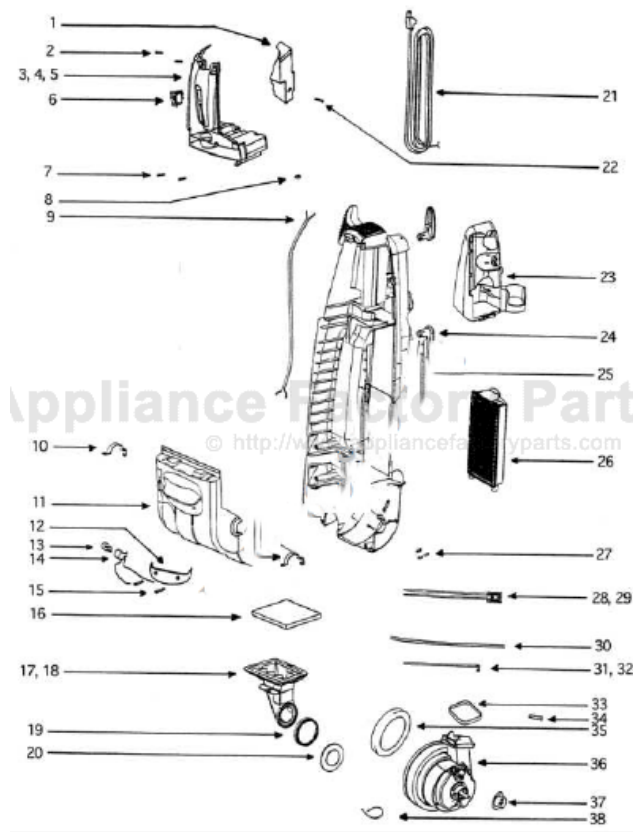


This Owner's Manual is provided and hosted by [Appliance Factory Parts](http://www.ApplianceFactoryParts.com).



Eureka 5195AT Owner's Manual

[Shop genuine replacement parts for Eureka 5195AT](#)



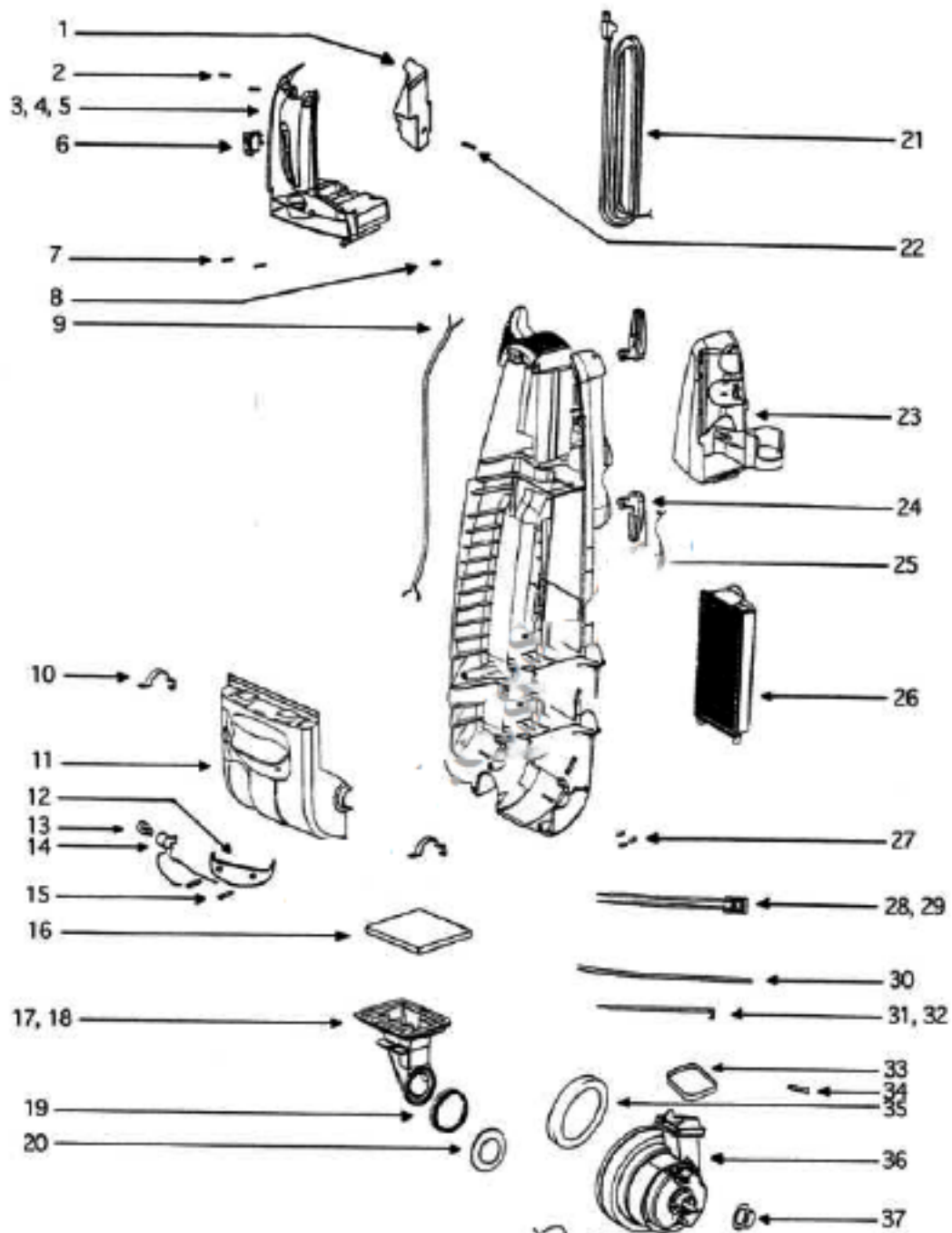
[Find Your Eureka Vacuum Cleaner Parts - Select From 855 Models](#)

----- Manual continues below part list -----

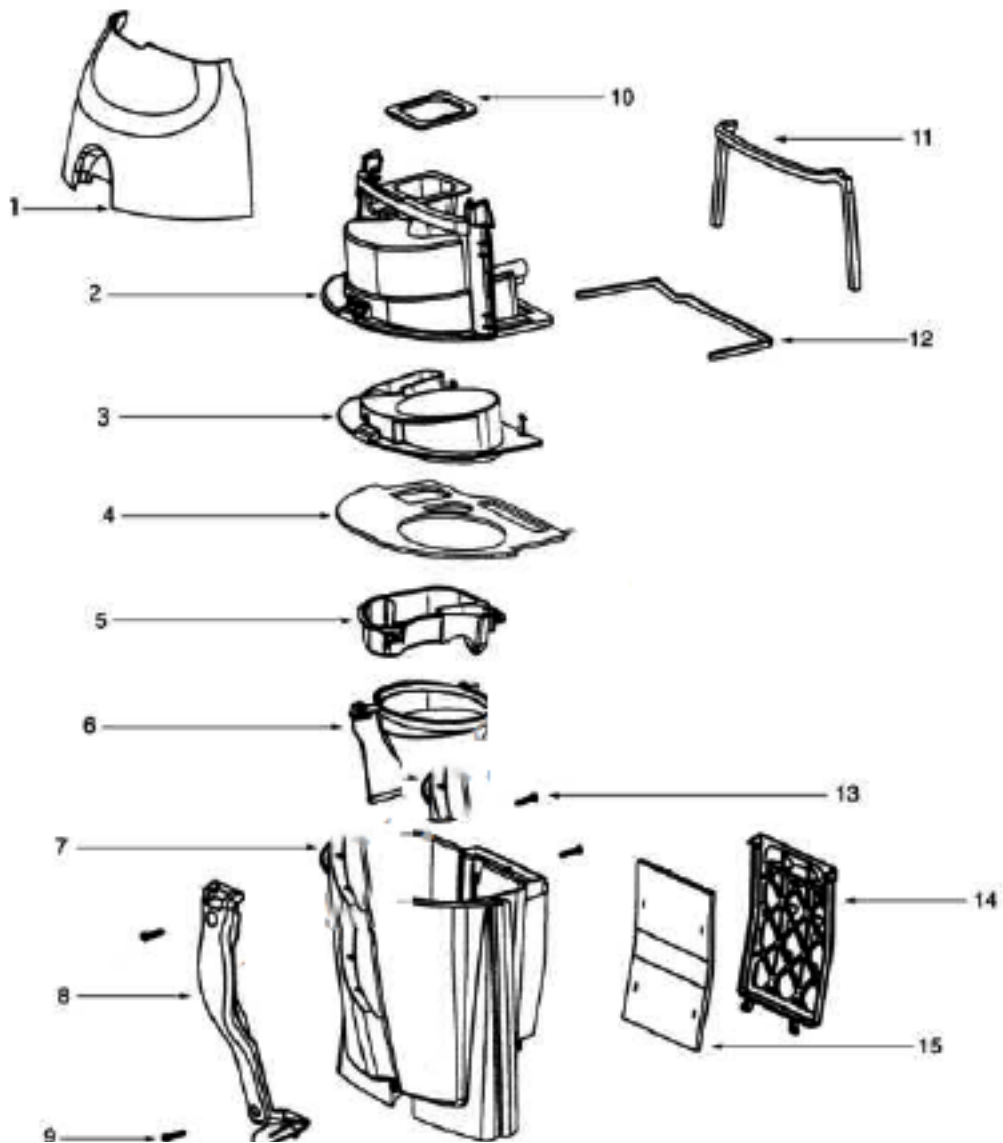
Available Replacement Parts for Eureka 5195AT

[ER-1875](#)

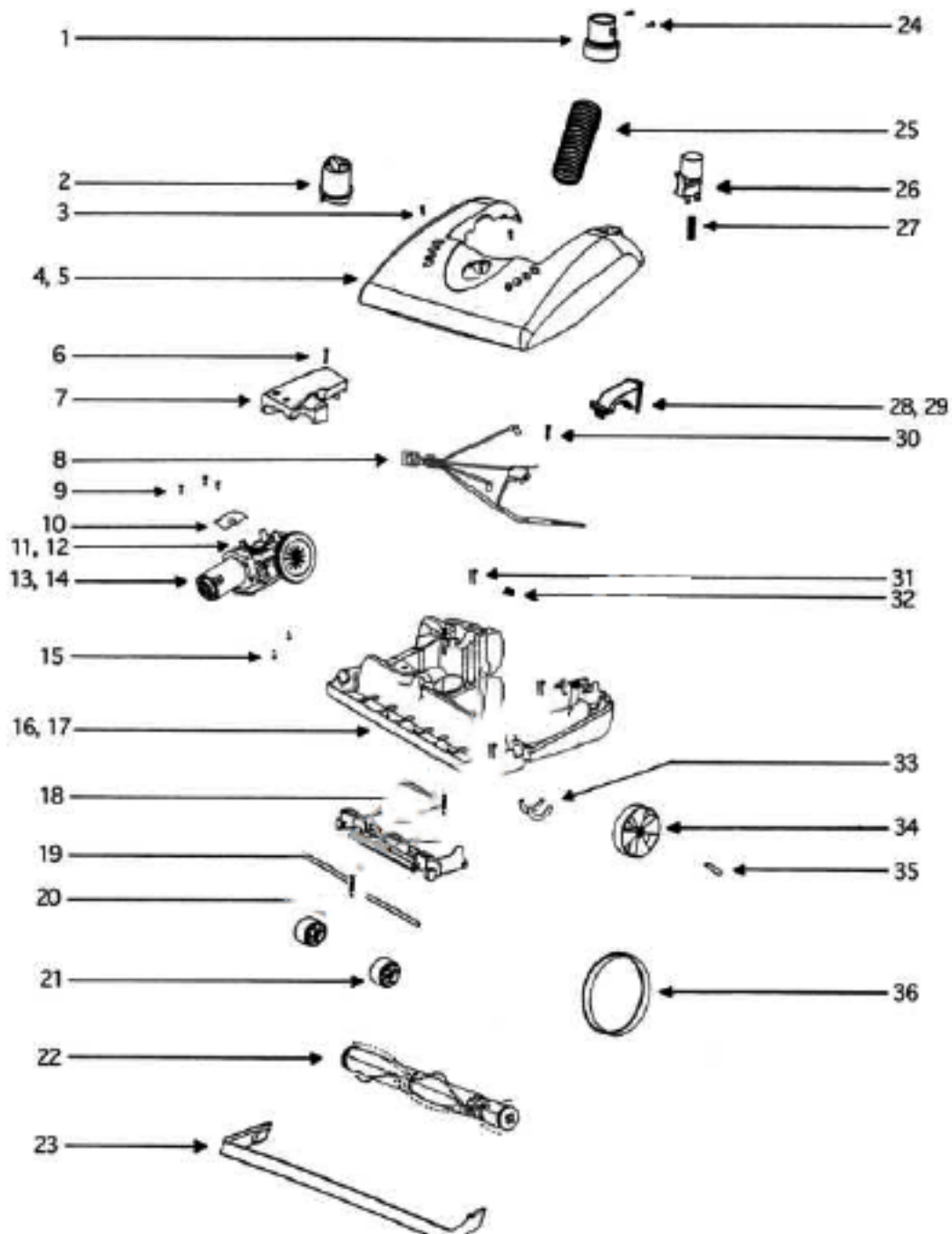
EUREKA HF9 HEPA FILTER



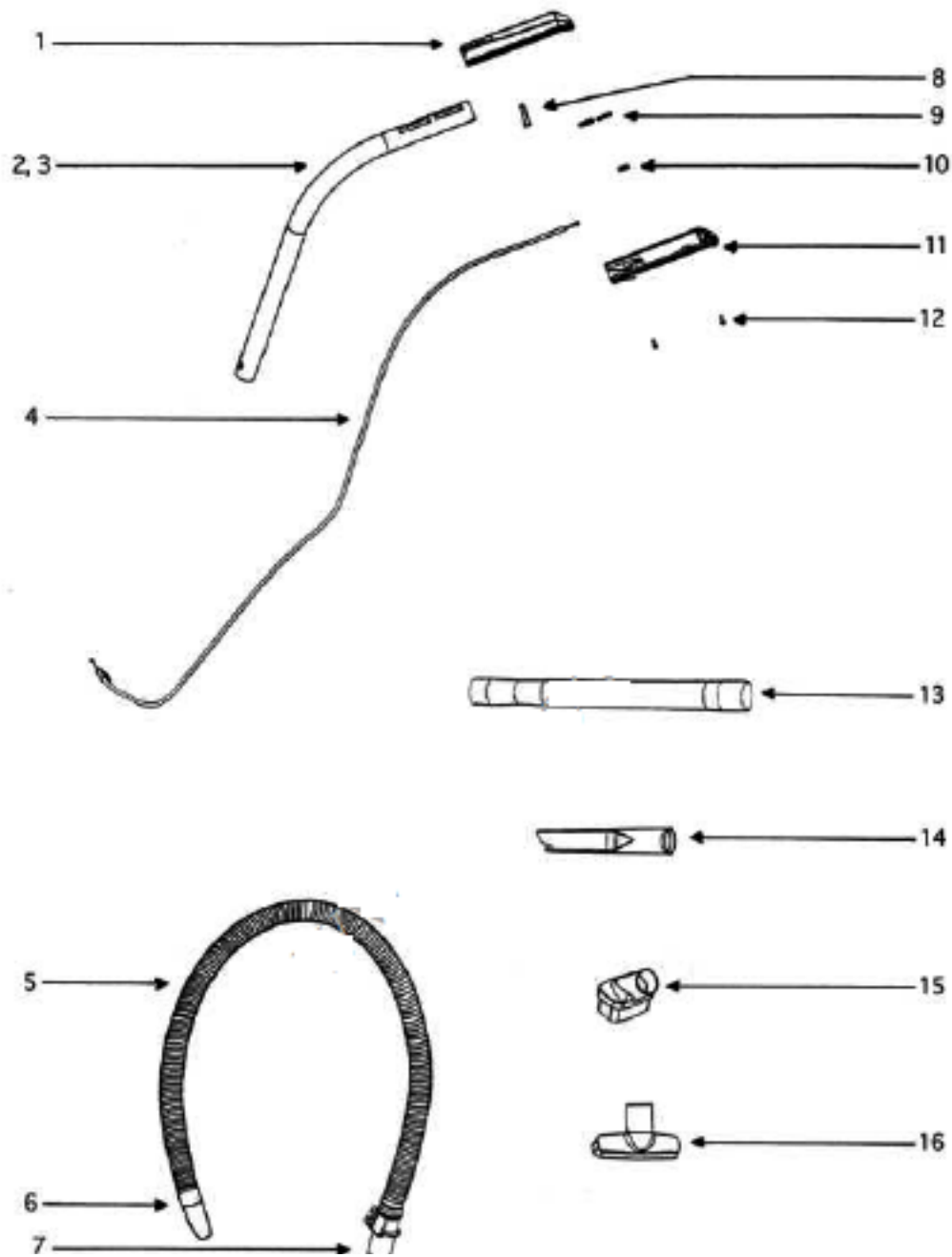
Ref #	Part	Description	Comments	Qty
1	39033-119N	SHIELD - WIRE		
2	53197-1	SCREW PACKAGE		
3	60974-1	FRONT COVER ASSEMBLY-PACK		
4	59542-1	GASKET		
5	39035	NAMEPLATE		
6	28073A	SWITCH - ROCKER		
7	60192-1	WIRE SPLICE 5		
8	28011	UPPER CORD ASSEMBLY		
9	38420-2	CLAMP		
10	15072-313N	LENS - MOTOR COVER		
11	48815	LAMP - HEADLIGHT		
12	38686-1	HEADLAMP SOCKET ASSEMBLY		
13	60068-2	SCREW PACKAGE		
14	61333	MOTOR FILTER PACKAGE		
15	15408B-119N	DUCT - AIR		
16	59297SV	GASKET - AIR DUCT		
17	28425	GRILLE - AIR DUCT		
18	27171A	GASKET		
19	39023	FLANGE - MOTOR INTAKE		
20	38680-12	SUPPLY CORD & TERMINAL AS		
21	02283-119N	INSERT - TOOL CADDY		
22	28013-119N	RELEASE - CORD		
23	02282D-119N	HOUSING - REAR		
24	60285B	HEPA FILTER PACKAGE		
25	59213	THERMOSTAT 110 DEG (120V)		
26	60613	PUSH ON NUT PKG		
27	59362B	TUBE		
28	59408-2	LEAD & TERMINAL ASSEMBLY		
29	59408-1	LEAD & TERMINAL ASSEMBLY		
30	59137	GASKET - MOTOR EXHAUST		
31	59361A	ADAPTER - TUBE		
32	59319	SUPPORT - GASKET		
33	60625-4	HEPA MOTOR & SHROUD ASSY		
34	27552B	GROMMET		
35	46713-5	TIE - CABLE (PURCHASED)		
36	61551-2	MOTOR COVER ASSY - PKGD		



Ref #	Part	Description	Comments	Qty
1	60706-2	CYCLONIC CASSETTE ASSY		
2	39305-1	CYCLONE GASKET SET (SP)		
3	28099B-333N	FILTER - SCREEN		
4	71568	FUNNEL & GASKET ASSEMBLY		
5	60976-4	CYCLONIC CASSETTE ASSY		
6	28131-288N	GRIP - DIRT CUP		
7	E-60976-2	Dirt Cup Ass'y		
8	ER-7025	DIRT CUP HANDLE		
9	59297-3SV	GASKET - AIR DUCT		
10	28114-119N	FRAME - FILTER		
11	60696	FILTER PACKAGE		
12	60981-6	CYCLONE CVR & GRPHCS ASSY		



Ref #	Part	Description	Comments	Qty
1	27468D-119N	CUFF - HOSE		
2	27462E-288N	OPERATOR - HEIGHT ADJUSTM		
3	53238-44	SCREW PACKAGE		
4	60700-13	HOOD & GRAPHICS ASSY - PK		
5	59586	GASKET - HOOD		
6	39047-119N	COVER - DRIVE MOTOR		
7	28102-4	RECTIFIER & SWITCH ASSY		
8	53197-1	SCREW PACKAGE		
9	39034	SEAL - YOKE		
10	60757B	TRANSMISSION ASSY - PACKA		
11	60756-1	TRUARC RETAINING RING - P		
12	60758-2	DRIVE MOTOR - PKGD		
13	59587	SHIELD - MOTOR SPACING		
14	53238-42	SCREW PACKAGE		
15	60759-2	Base Assembly		
16	58506-2	GASKET		
17	54943	SPRING PACKAGE		
18	14993C-119N	CARRIAGE - WHEEL		
19	71551	AXLE - WHEEL		
20	39173A-119N	WHEEL - FRONT		
21	61308-2	BRUSHROLL ASSEMBLY - CART		
22	15591-288N	GUARD - FURNITURE		
23	38479-4	HOSE - COMPRESSION (PURCH		
24	27467A-288N	RELEASE - HANDLE		
25	60133	COMPRESSION SPRING - PACK		
26	54376-2	BELT CAP & GASKET - PACKA		
27	57569	GASKET - FELT		
28	60761-1	CABLE FLAG SCREW - PKGD		
29	59552	GASKET - CABLE		
30	27794-119N	WHEEL - REAR		
31	58814	REAR AXLE		
32	61120	BELT PKG ASSY-STYLE U EXT		
33	70353	SEAL - CABLE		



Ref #	Part	Description	Comments	Qty
1	15614-2	TUBE - UPPER HANDLE		
2	15615-2	TUBE - LOWER HANDLE		
3	39394	TRANSMISSION CABLE ASSEMB		
4	61227-1	HOSE ASSEMBLY - CARTONED		
5	37057A-3	COUPLING - HOSE		
6	28051A-119N	ADAPTER - HOSE		
7	39231-2	STRAP - HOSE		
8	39152A-333N	PLATE - HOOK		
9	36890-1	LOCK - NEUTRAL		
10	53175	SPRING - CENTERING PACKAG		
11	53171	SPRING - SPACER PACKAGE		
12	15460A-119N	GRIP - LOWER HANDLE		
13	53238-4	SCREW PACKAGE		
14	58728B	NESTING WAND ASSEMBLY		
15	26708-119N	TOOL - CREVICE		
16	54505-3	DUSTING BRUSH - PACKAGED		
17	38284-3	UPHOLSTERY NOZZLE ASSEMBL		
18	70335D	OWNER'S GUIDE		
19	59991A	HARDWARE PKG - SELF PROP		
20	39430A-1	UPPER GRIP & GRAPHICS ASS		
21	28610-1SV	UPPER HANDLE ASSEMBLY		