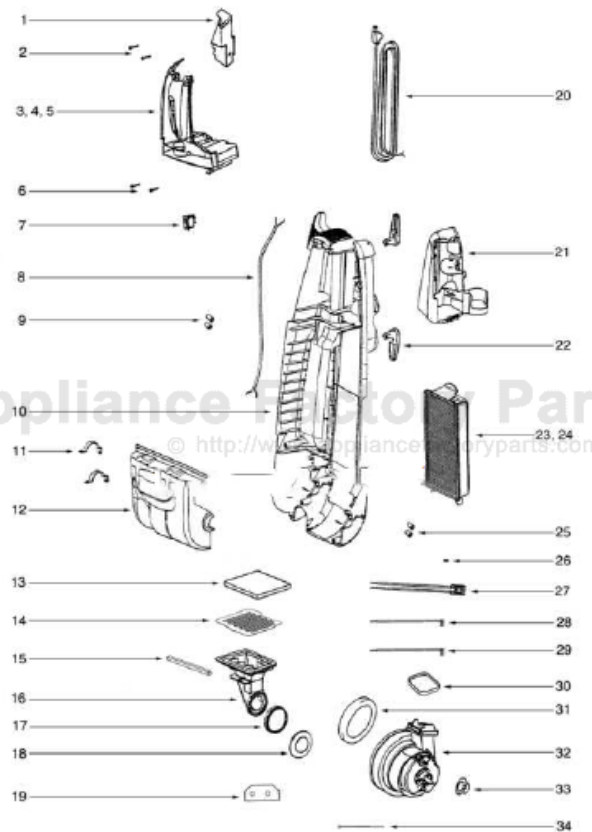


This Owner's Manual is provided and hosted by [Appliance Factory Parts](http://www.ApplianceFactoryParts.com).



# Eureka 5197B Owner's Manual

[Shop genuine replacement parts for Eureka 5197B](#)



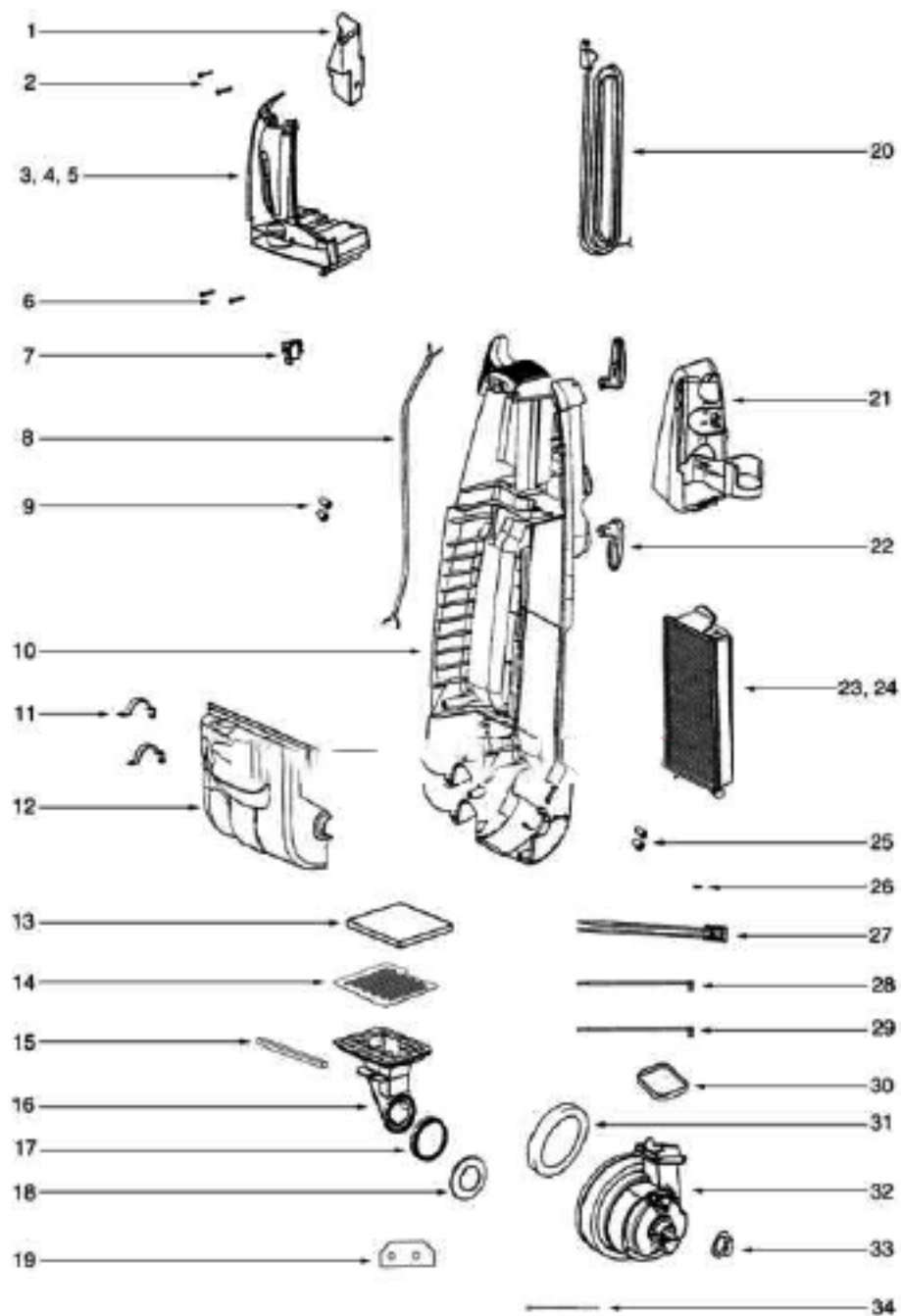
[Find Your Eureka Vacuum Cleaner Parts - Select From 855 Models](#)

----- Manual continues below part list -----

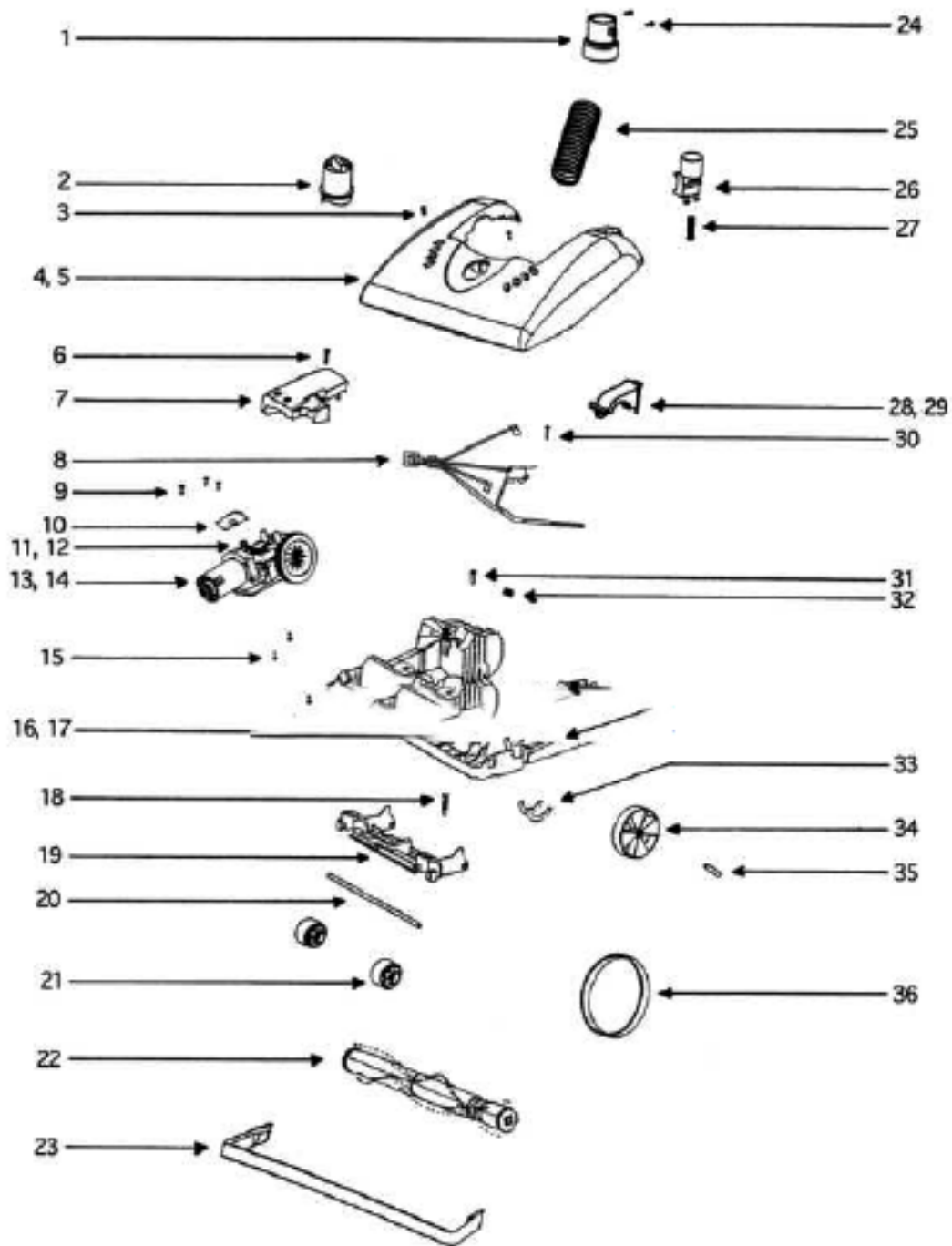
## Available Replacement Parts for Eureka 5197B

[ER-1875](#)

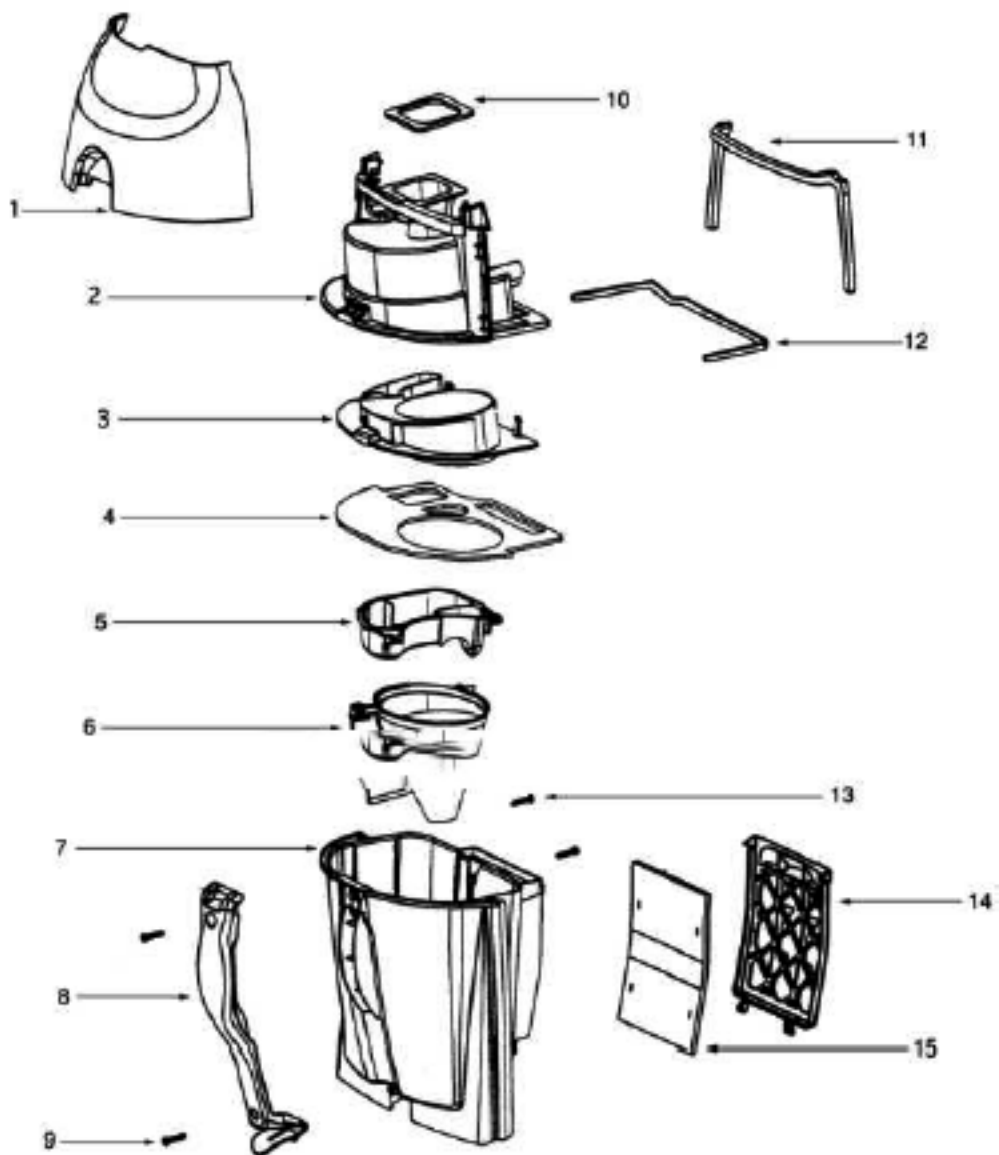
EUREKA HF9 HEPA FILTER



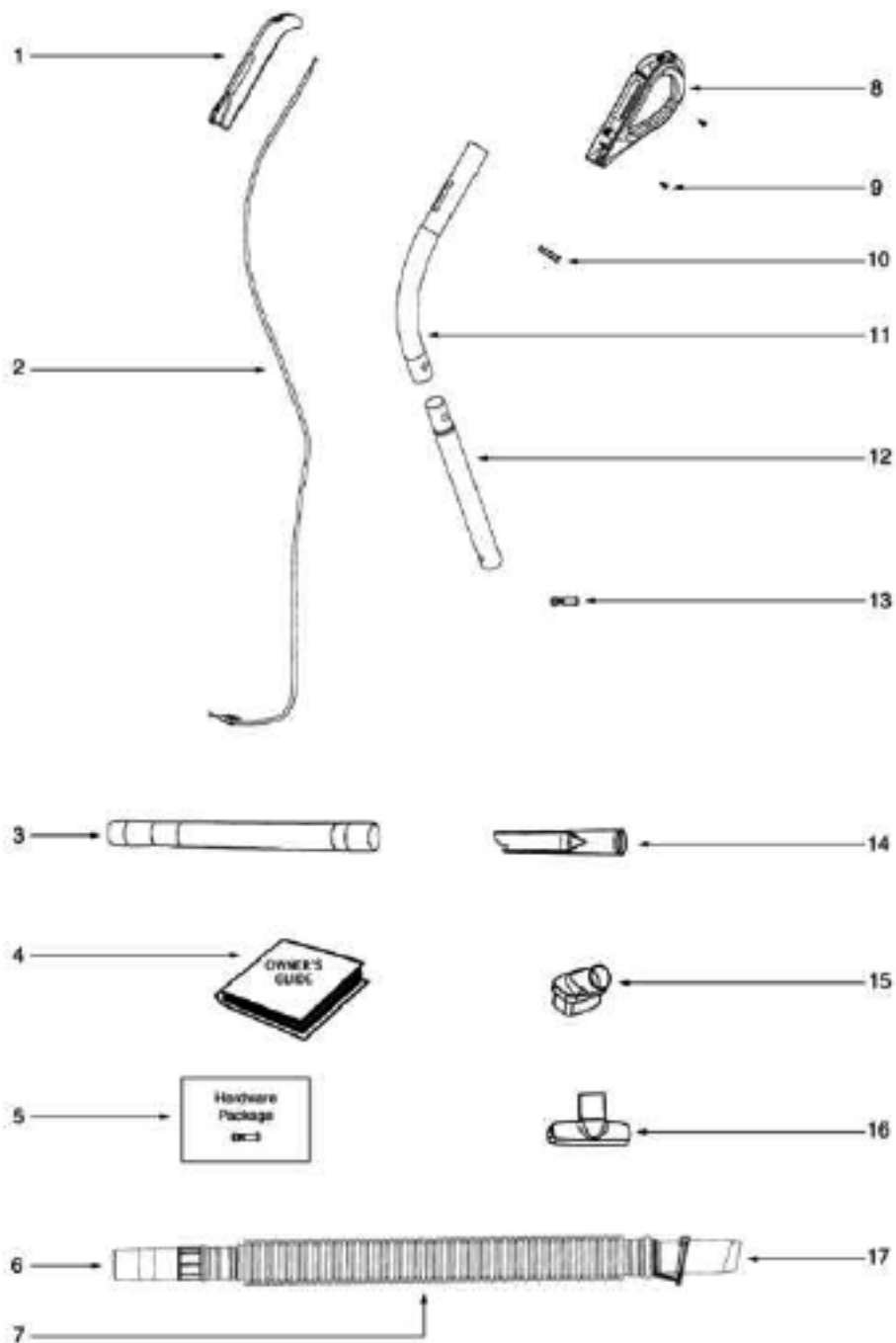
Ref#	Part	Description	Comments	Qty
1	39033-119N	SHIELD - WIRE		
2	53197-1	SCREW PACKAGE		
3	60974-3	FRONT COVER ASSEMBLY-PACK		
4	59542-1	GASKET		
5	39035	NAMEPLATE		
6	28073A	SWITCH - ROCKER		
7	28011	UPPER CORD ASSEMBLY		
8	60192-1	WIRE SPLICE 5		
9	02282E-119N	HOUSING - REAR		
10	38420-2	CLAMP		
11	60788-27	MOTOR COVER ASSEMBLY - PK		
12	61333	MOTOR FILTER PACKAGE		
13	28425	GRILLE - AIR DUCT		
14	59297SV	GASKET - AIR DUCT		
15	15536A-119N	AIR DUCT		
16	27171A	GASKET		
17	39023	FLANGE - MOTOR INTAKE		
18	70353	SEAL - CABLE		
19	38680-11	SUPPLY CORD & TERMINAL AS		
20	02283-119N	INSERT - TOOL CADDY		
21	28013-119N	RELEASE - CORD		
22	28457-8	FILTER FRAME & GRAPHICS A		
23	61500	HEPA FILTER PKG - STYLE H		
24	60613	PUSH ON NUT PKG		
25	59213	CUTOFF - THERMAL		
26	59408-1	LEAD & TERMINAL ASSEMBLY		
27	59408-2	LEAD & TERMINAL ASSEMBLY		
28	59137	GASKET - MOTOR EXHAUST		
29	59319	SUPPORT - GASKET		
30	60775-4	MOTOR & SHROUD ASSY - PKG		
31	70840	GROMMET - MOTOR		
32	46713-5	TIE - CABLE		



Ref#	Part	Description	Comments	Qty
1	27468D-119N	CUFF - HOSE		
2	27462E-288N	OPERATOR - HEIGHT ADJUSTM		
3	53238-44	SCREW PACKAGE		
4	60700-5	HOOD & GRAPHICS ASSY - PK		
5	59586	GASKET - HOOD		
6	39047-119N	COVER - DRIVE MOTOR		
7	28102-4	RECTIFIER & SWITCH ASSY		
8	53193	YOKE SCREW		
9	39034	SEAL - YOKE		
10	60757B	TRANSMISSION ASSY - PACKA		
11	60756-1	TRUARC RETAINING RING - P		
12	60758-2	DRIVE MOTOR - PKGD		
13	59587	SHIELD - MOTOR SPACING		
14	53257-1	SCREWS - PACKAGE 10		
15	60760-3	BASE ASSY - PKGD		
16	59506-2	GASKET		
17	54943	SPRING PACKAGE		
18	14993C-119N	CARRIAGE - WHEEL		
19	71551	AXLE - WHEEL		
20	39173A-119N	WHEEL - FRONT		
21	61308-2	BRUSHROLL ASSEMBLY - CART		
22	15591A-288N	GUARD - FURNITURE		
23	53197-1	SCREW PACKAGE		
24	38479-4	HOSE - COMPRESSION (PURCH		
25	27467A-288N	RELEASE - HANDLE		
26	60133	COMPRESSION SPRING - PACK		
27	54376-2	BELT CAP & GASKET - PACKA		
28	57569	GASKET - FELT		
29	60761-1	CABLE FLAG SCREW - PKGD		
30	59552	GASKET - CABLE		
31	27794-119N	WHEEL - REAR		
32	58814	REAR AXLE		
33	61120	BELT PKG ASSY-(U-EXTENDED		



Ref#	Part	Description	Comments	Qty
1	60981-2	CYCLONE CVR & GRPHCS ASSY		
2	60975-2	CYCLONE ASSEMBLY - CARTON		
3	39305-1	CYCLONE GASKET SET (SP)		
4	28099B-333N	FILTER - SCREEN		
5	71568	FUNNEL & GASKET ASSEMBLY		
6	60706-2	CYCLONIC CASSETTE ASSY		
7	28131-288N	GRIP - DIRT CUP		
8	53197-1	SCREW PACKAGE		
9	59595-2	GASKET - CYCLONE		
10	59297-3SV	GASKET - AIR DUCT		
11	28114-119N	FRAME - FILTER		
12	60696	FILTER PACKAGE		



Ref#	Part	Description	Comments	Qty
1	39430B-1	UPPER GRIP & GRAPHICS ASS		
2	39394	TRANSMISSION CABLE ASSEMB		
3	58728B	NESTING WAND ASSEMBLY		
4	70335D	OWNER'S GUIDE		
5	59991A-1	HARDWARE PKG - SELF PROP		
6	37057A-3	COUPLING - HOSE		
7	54646A-3	STRETCH HOSE - CARTONED		
8	15460B-119N	GRIP - LOWER HANDLE		
9	53238-4	SCREW PACKAGE		
10	36890-1	LOCK - NEUTRAL		
11	15614A-2	TUBE - UPPER HANDLE		
12	15615-2	TUBE - LOWER HANDLE		
13	53198-1	HANDLE SCREW ASSY PACKAGE		
14	27237-3	TOOL - CREVICE		
15	54505-3	DUSTING BRUSH - PACKAGED		
16	38284-3	UPHOLSTERY NOZZLE ASSEMBL		
17	28051A-119N	ADAPTER - HOSE		
	39009	DISPENSE VALVE ASSEMBLY		