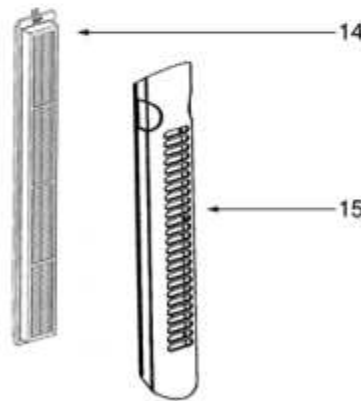
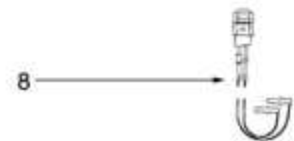
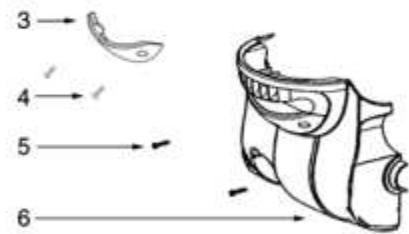
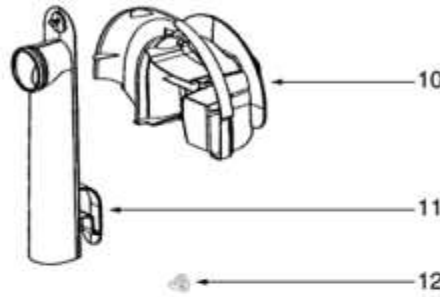
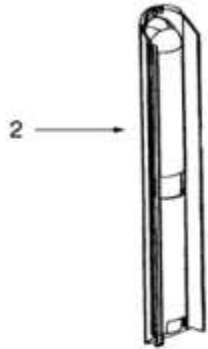
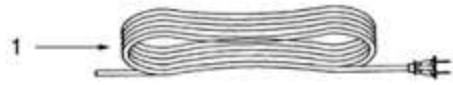
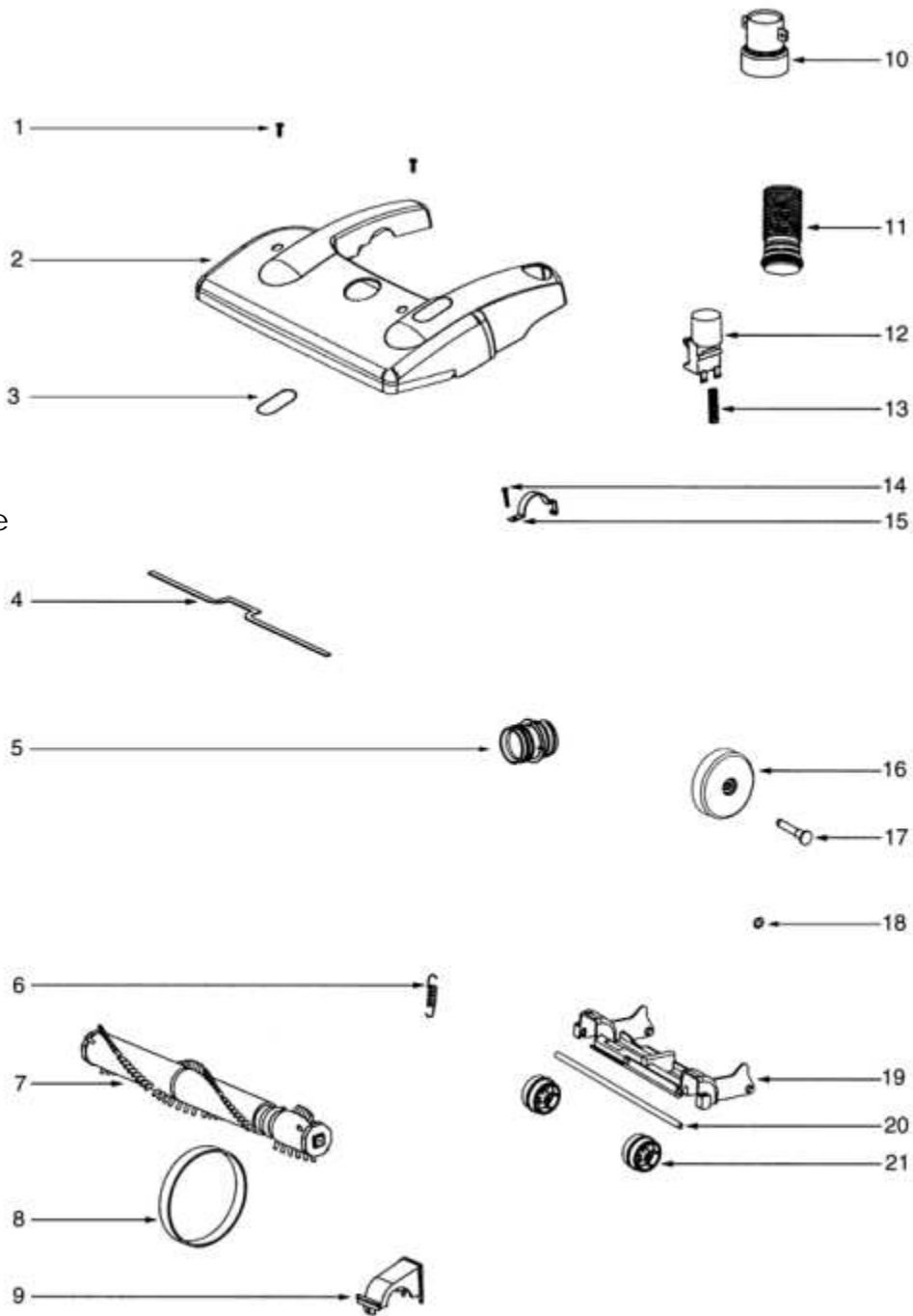


| <b>Ref #</b> | <b>Part</b> | <b>Description</b>      | <b>Comments</b> | <b>Qty</b> |
|--------------|-------------|-------------------------|-----------------|------------|
| 1            | 39435-1     | HANDLE ASSEMBLY         |                 |            |
| 2            | 71154-1     | DUST CUP ASSEMBLY       |                 |            |
| 3            | 71152A-1    | PLENUM ASSEMBLY         |                 |            |
| 4            | 39455-1     | SWITCH - ROCKER         |                 |            |
| 5            | 60160       | SCREW PACKAGE 10        |                 |            |
| 6            | 71116-2     | TOP HOUSING ASSEMBLY    |                 |            |
| 7            | 39357-355N  | LATCH                   |                 |            |
| 8            | 46713-3     | TIE - CABLE (PURCHASED) |                 |            |
| 9            | 61770       | DUST CUP FILTER - PKGD  |                 |            |
| 10           | 71114-3     | AIR DUCT ASSEMBLY       |                 |            |
| 11           | 60192-1     | WIRE SPLICE 5           |                 |            |
| 12           | 72224-1     | FOAM - SOUND            |                 |            |

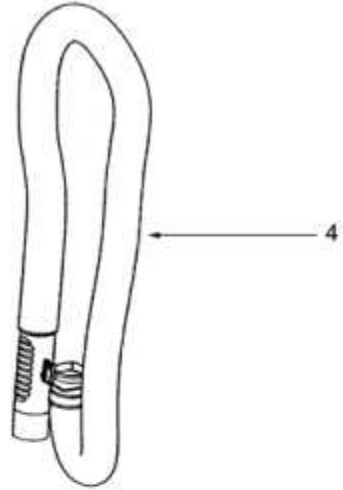


| Ref # | Part        | Description               | Comments | Qty |
|-------|-------------|---------------------------|----------|-----|
| 1     | 38680-26    | SUPPLY CORD & TERMINAL AS |          |     |
| 2     | 15692-357N  | HOUSING - EXTENSION TUBE  |          |     |
| 3     | 28466A-313N | LENS - MOTOR COVER        |          |     |
| 4     | 53238-8     | SCREW PACKAGE             |          |     |
| 5     | 53238-27    | SCREW PACKAGE             |          |     |
| 6     | 61438-2     | MOTOR COVER ASSY - PACKAG |          |     |
| 7     | 57940-2     | LAMP - HEADLIGHT          |          |     |
| 8     | 38828B-5    | HEADLIGHT ASSEMBLY        |          |     |
| 9     | 70864A-119N | HOOK - CORD               |          |     |
| 10    | 71113A-1    | CARRY HANDLE ASSEMBLY     |          |     |
| 11    | 71153-1     | REAR AIR TUBE ASSEMBLY    |          |     |
| 12    | 61448-1     | FASTENER PACKAGE          |          |     |
| 13    | 71278-355N  | HOSE RETAINER             |          |     |
| 14    | 61984       | HEPA FILTER - STYLE GE-1  |          |     |
| 15    | 71587-2     | FILTER COVER & GRAPHICS A |          |     |



E-60938-8 Nozzle  
Base Ass'y (not  
shown)

| Ref # | Part        | Description               | Comments | Qty |
|-------|-------------|---------------------------|----------|-----|
| 1     | 53238-44    | SCREW PACKAGE             |          |     |
| 2     | 71059A-2    | HOOD ASSEMBLY             |          |     |
| 3     | 28469-313N  | LENS - BELT VIEW          |          |     |
| 4     | 58506-3     | GASKET                    |          |     |
| 5     | 28243A-316N | ADAPTER - BASE            |          |     |
| 6     | 54943       | SPRING PACKAGE            |          |     |
| 7     | 60909-3     | DISTURBULATOR ASSY - CART |          |     |
| 8     | 61120A      | BELT PKG ASSY-(U-EXTENDED |          |     |
| 9     | 54376-2     | BELT CAP & GASKET - PACKA |          |     |
| 10    | 28496-119N  | CUFF- HOSE                |          |     |
| 11    | 38479-4     | HOSE - COMPRESSION (PURCH |          |     |
| 12    | 28468-355N  | RELEASE - HANDLE          |          |     |
| 13    | 60133       | COMPRESSION SPRING - PACK |          |     |
| 14    | 53238-27    | SCREW PACKAGE             |          |     |
| 15    | 38420-2     | CLAMP                     |          |     |
| 16    | 61875       | WHEEL/BUSHING PACKAGE     |          |     |
| 17    | 38590A      | AXLE - REAR               |          |     |
| 18    | 54432-1     | PACKAGE - RETAINING RING  |          |     |
| 19    | 14993C-119N | CARRIAGE - WHEEL          |          |     |
| 20    | 71551       | AXLE - WHEEL              |          |     |
| 21    | 39173A-119N | WHEEL - FRONT             |          |     |



| <b>Ref #</b> | <b>Part</b> | <b>Description</b>        | <b>Comments</b> | <b>Qty</b> |
|--------------|-------------|---------------------------|-----------------|------------|
| 1            | 60990-2     | COMBINATION BRSH BRSTLD-C |                 |            |
| 2            | 28497-119N  | NOZZLE - CREVICE          |                 |            |
| 3            | 71119-1     | EXTENSION TUBES ASSEMBLY  |                 |            |
| 4            | 61440-4     | HOSE ASSEMBLY - CARTONED  |                 |            |
| 5            | 71118A      | PACKAGE - HARDWARE        |                 |            |