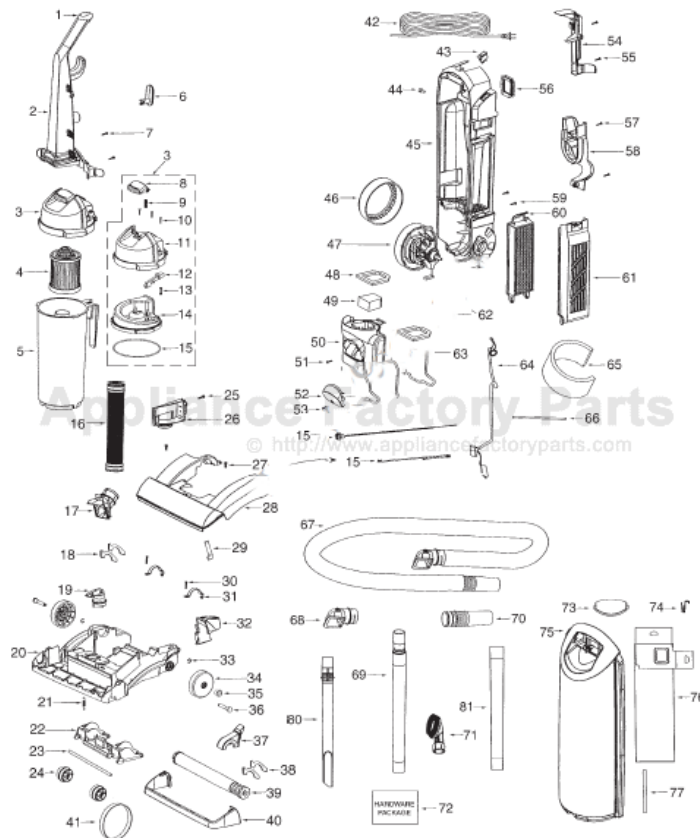


This Owner's Manual is provided and hosted by [Appliance Factory Parts](http://www.appliancefactoryparts.com).



Eureka 5810A Owner's Manual

[Shop genuine replacement parts for Eureka 5810A](http://www.appliancefactoryparts.com)



[Find Your Eureka Vacuum Cleaner Parts - Select From 855 Models](http://www.appliancefactoryparts.com)

----- Manual continues below part list -----

Available Replacement Parts for Eureka 5810A

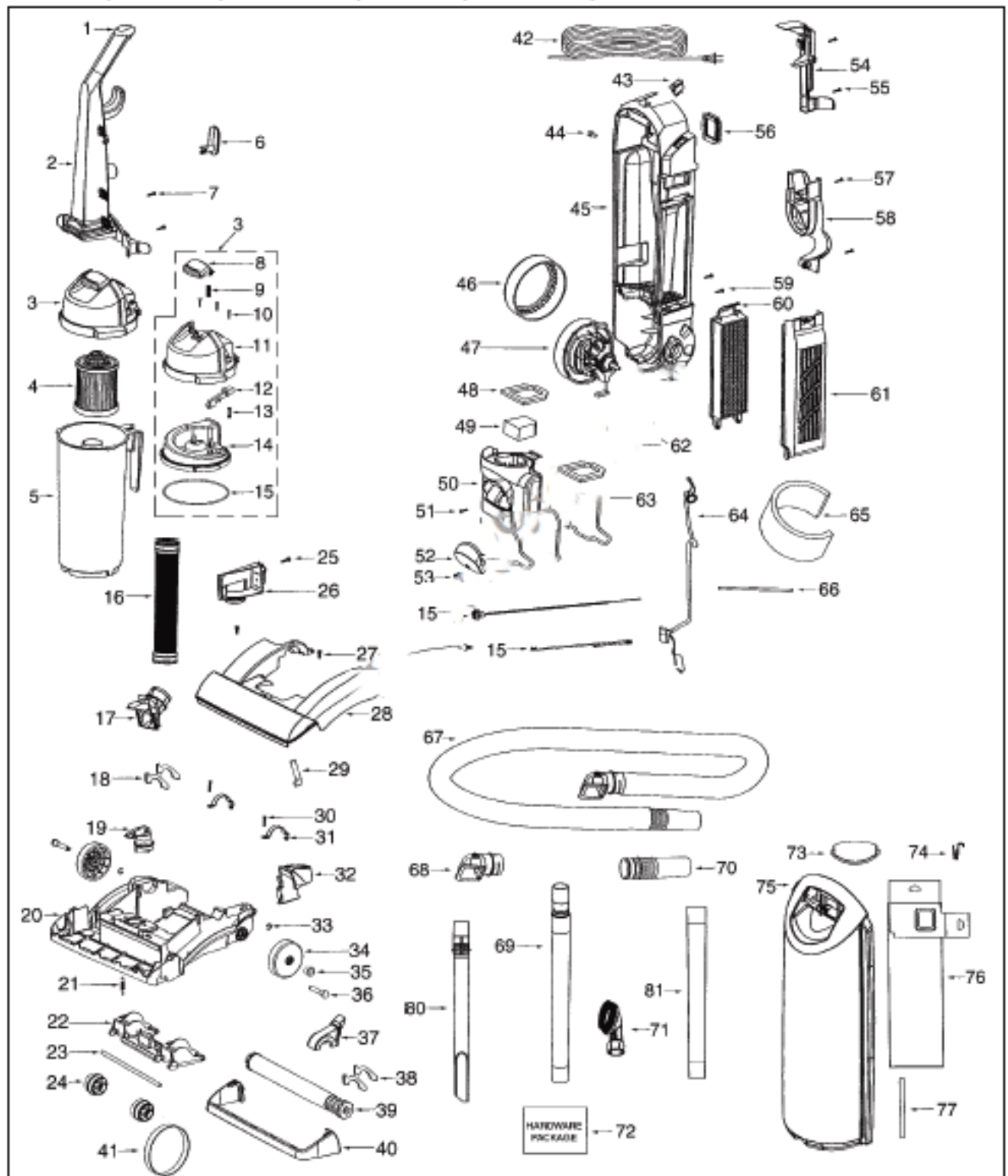
| | |
|-------------------------------|--------------------------------------|
| E-61820 | Eureka style LS OEM vacuum bags 3 pk |
| e-39266 | BELT OEM EUREKA EXTENDED LIFE 1 PACK |
| E-61830 | STYLE HF5 EUREKA HEPA FILTER |
| E-71492 | WAND, NESTING W/CREVICE TOOL |
| e-60990-2 | BRUSH |
| E-54943 | Spring, |
| E-39173A-119N | Front wheel |
| HR-3500 | HEADLIGHT BULB |
| E-71725-313N | ADAPTER-HOSE |
| E-61865-4 | hose assembly cartoned |
| ER-2028 | ROLLER |

EUREKA Original & Replacement

LITESPEED UPRIGHT

Paper Bag Models 5810A, 5810A-1

Dirt Cup Models 5740A, 5740A-1, 5840A, 5840AV, 5843AV, 5843AZ, 5844AV, 5844AZ, 5846AH, 5846AH-1, 5847AV, 5847AVX, 5847AZ



Original & Replacement **EUREKA**

LITESPEED UPRIGHT

Paper Bag Models 5810A, 5810-A-1

Dirt Cup Models 5740A, 5740A-1, 5840A, 5840AV, 5843AV, 5843AZ, 5844AV, 5844AZ, 5846AH, 5846AH-1, 5847AV, 5847AVX, 5847AZ

| KEY | PART NO. | DESCRIPTION | KEY | PART NO. | DESCRIPTION |
|-----|----------------|---|-----|----------------|---|
| 1 | E-71235-119N | Handle Cap | 43 | E-39455-1 | Switch |
| 2 | E-71473 | Handle Assembly | 44 | SS-3270 | Wire Nut |
| 3 | E-71537-1 | Cyclone Assembly | 45 | E-72126 | Rear Housing - Bagless Models |
| 4 | E-61825 | Dust Cup Filter Style DCF3 | 45 | E-71744 | Rear Housing - Paper Bag Models |
| 4 | ER-1830 | Dust Cup Filter Style DCF3 | 46 | E-71649 | Motor Gasket |
| 5 | E-61864-1 | Dust Cup Assembly | 47 | E-80281-11 | Motor |
| 6 | E-70864A-119N | Upper Cord Hook | | E-39252-1 | Thermostat |
| 7 | E-53238-44 | Screw | 48 | E-71483 | Lower Dirt Cup Gasket |
| 8 | E-71479-333N | Dirt Cup Latch | 49 | E-71480 | Pre-Motor Filter |
| 9 | E-61866 | Spring | 50 | E-61863-1 | Motor Cover |
| 10 | E-53238-27 | Screw | 51 | E-53238-27 | Screw |
| 11 | E-72004-1 | Cyclone Top (Incl. 8-15) | 52 | E-71480-313N | Lens |
| 12 | E-71785-119N | Filter Catch | 53 | E-53238-44 | Screw |
| 13 | E-61867 | Spring | 54 | E-72127 | Switch Cover |
| 14 | E-71451-119N | Cyclone | 55 | E-53238-27 | Screw |
| 15 | E-71475 | Cyclone Gasket | 56 | E-71482 | Intake Gasket |
| 16 | E-72001 | Base Hose Assembly | 57 | E-53238-27 | Screw |
| 17 | N/A | (Order E-72001) | 58 | E-72127-27 | Tool Holder |
| 18 | E-71673 | Base Felt | 59 | E-53238-44 | Screw |
| 19 | E-71448-333N | Height Adjustment Knob | 60 | E-72006 | HEPA Filter Style HF5 |
| 20 | E-61860-1 | Base 5740A, 5740A-1 | 60 | E-70084-1 | HEPA Filter Style HF5 |
| 20 | E-61877-1 | Base 5800 Series | 61 | E-61835 | HEPA Filter Insert Style HF6 |
| 21 | E-54943 | Spring | 62 | E-72008-1 | Filter Cover |
| 22 | E-71446-119N | Front Wheel Carriage | | E-72103-1 | HEPA Insert Cover |
| 23 | E-71478 | Front Axle | 62 | E-70084 | Motor Support Bushing |
| 24 | E-39173A-119N | Front Wheel | 63 | E-71484 | Motor Cover Gasket |
| 25 | E-53238-27 | Screw | 64 | E-71485 | Jumper Cord |
| 26 | N/A | (Order E-72001) | 65 | E-38661 | Sound Foam |
| 27 | E-61862-1* | Hood 5740A | 66 | E-70651-1 | Flexible Tube |
| 27 | E-60178-1* | Hood 5810A | 67 | E-61865-1 | Hose Assembly |
| 27 | E-61878-2* | Hood 5840A | 68 | E-71725-313N | Hose Adaptor |
| 28 | E-53238-44 | Screw | 69 | E-71492 | Nested Wands |
| 29 | E-71574 | Handle Release Spring | 70 | E-70559-119N | Hose Coupling |
| 30 | E-53238-27 | Screw | 71 | E-80990-2 | Combination Brush |
| 31 | E-71487 | Motor Clamp | 72 | E-71917 | Hardware Package |
| 32 | E-71457-333N | Handle Release | 73 | E-71830-333N | Bag Cover Latch 5810A, 5810A-1 |
| 33 | E-54432 | Wheel Retainer E-Clip | 74 | E-71852 | Bag Cover Latch Spring 5810A, 5810A-1 |
| 34 | E-72117-119N | Rear Wheel | | | |
| 35 | E-72113 | Wheel Bushing | 75 | E-61880-1 | Bag Cover 5810A, 5810A-1 |
| 36 | E-38590A | Rear Axle | 76 | E-61820 | Paper Bag Style LS 5810A, 5810A-1 3 Pk |
| 37 | E-71741 | Belt Cover | | | |
| 38 | E-71672 | Belt Cover Felt | 77 | E-71512 | Bag Cover Gasket |
| 39 | E-61861-1 | Brushroll 12 1/2" 5740A, 5740A-1 | 78 | E-70701-2 | Headlight Socket |
| 39 | ER-2020 | Brushroll 12 1/2" 5740A, 5740A-1 | 79 | E-57940-2 | Bulb |
| 39 | E-61869-1 | Brushroll 14 1/2" 5800 Series | 79 | HR-3500 | Bulb |
| 39 | ER-2025 | Brushroll 14 1/2" 5800 Series | 80 | E-71958A-355N | Crevice Wand |
| 40 | E-71456-355N | Nozzle Bumper 5740A, 5740A-1 | 81 | E-71973-119N | Outer Wand |
| 40 | E-71831-355N | Nozzle Bumper 5800 Series | | | |
| 41 | E-39266 | Belt | | | |
| 41 | E-61120 | Belt 2 Pk | | | |
| 42 | E-38880-29 | Power Cord | | | |

N/A = Not Available