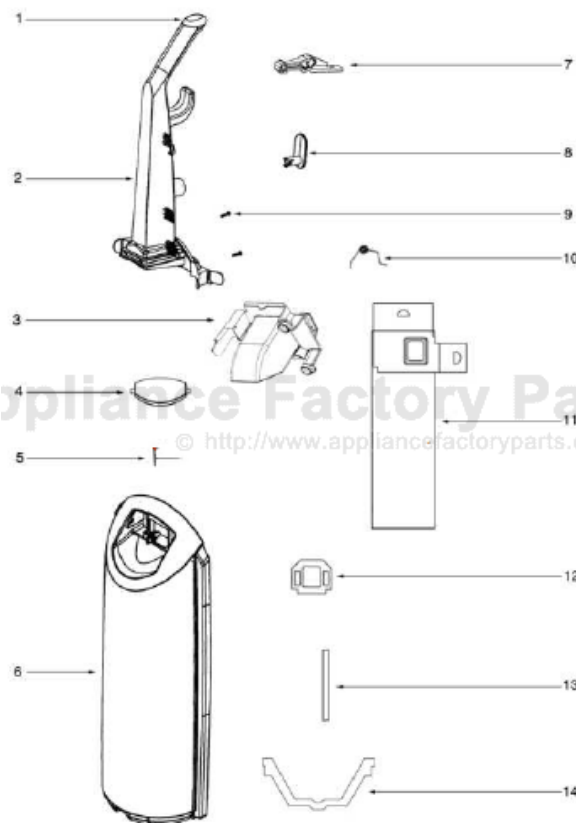


This Owner's Manual is provided and hosted by [Appliance Factory Parts](http://www.appliancefactoryparts.com).



Eureka 5811A Owner's Manual

[Shop genuine replacement parts for Eureka 5811A](#)

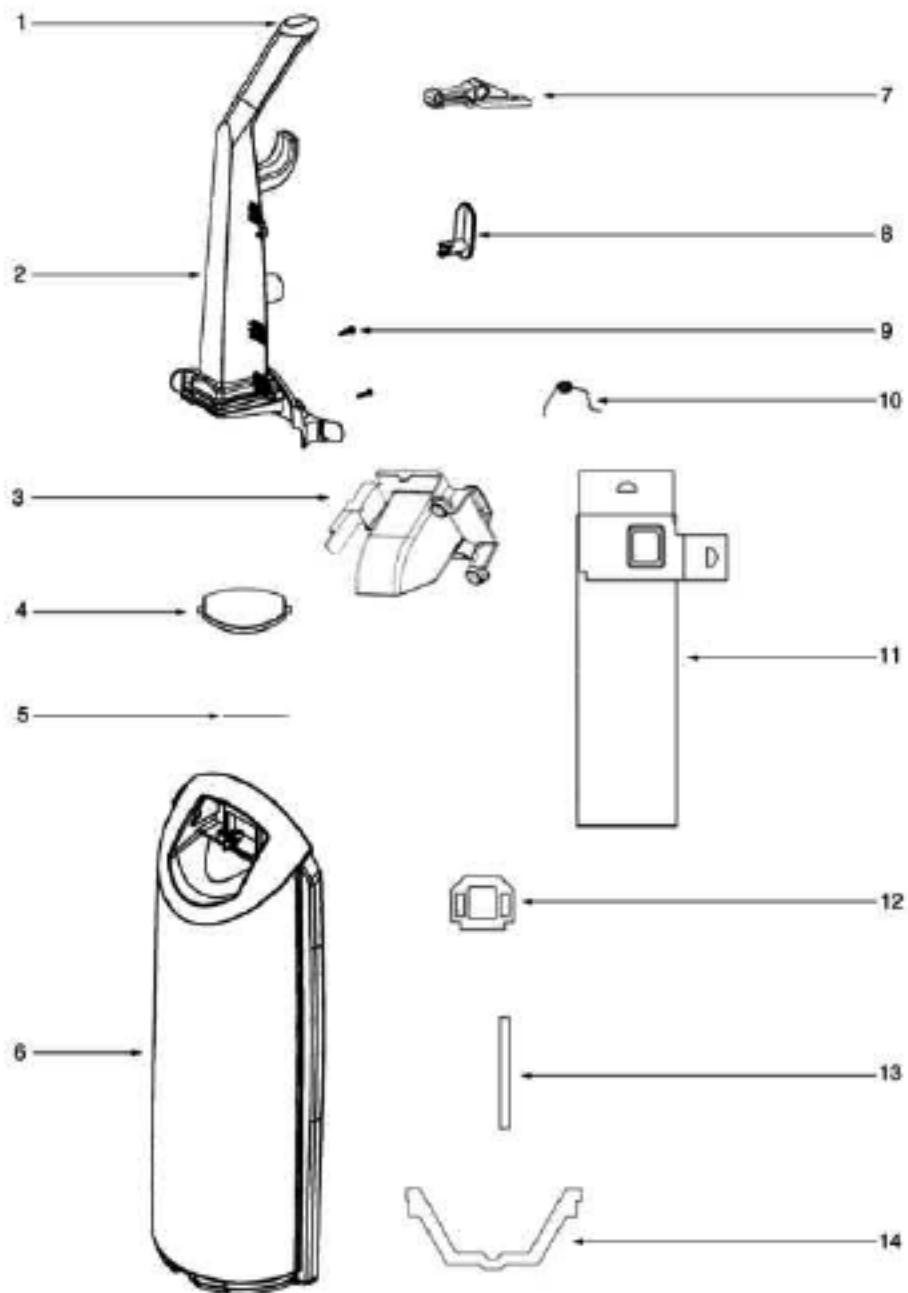


[Find Your Eureka Vacuum Cleaner Parts - Select From 855 Models](#)

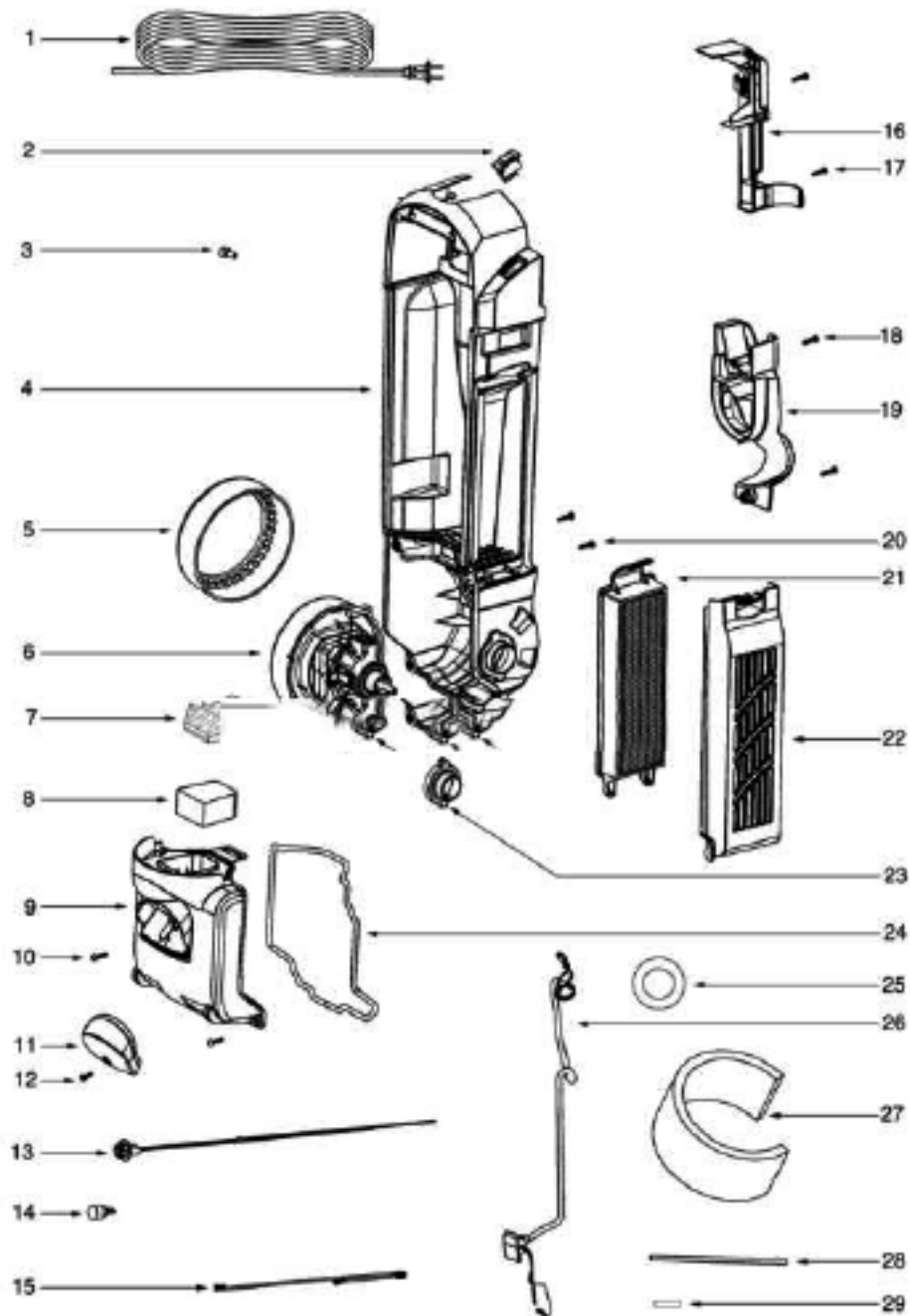
----- Manual continues below part list -----

Available Replacement Parts for Eureka 5811A

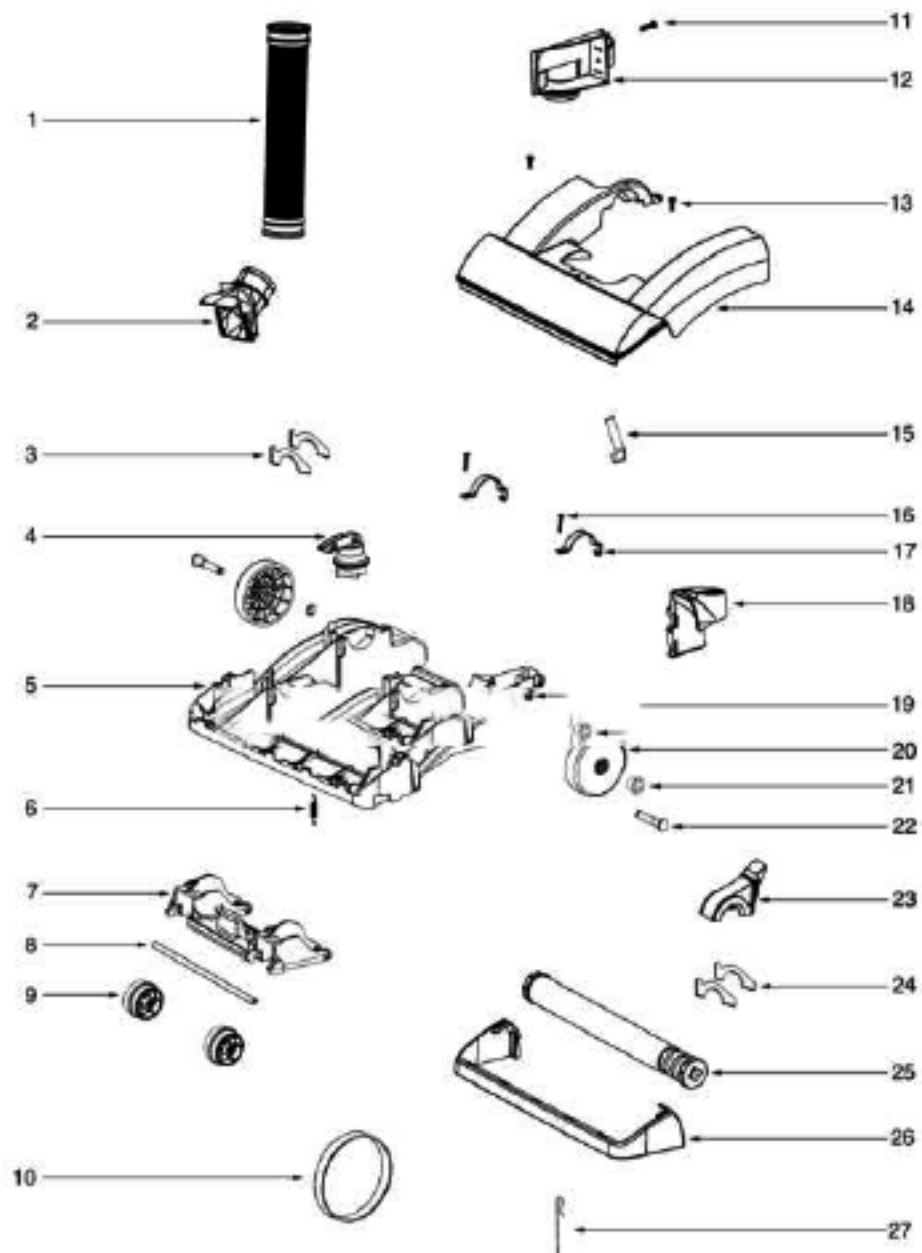
E-61820	Eureka style LS OEM vacuum bags 3 pk
e-39266	BELT OEM EUREKA EXTENDED LIFE 1 PACK
E-61830	STYLE HF5 EUREKA HEPA FILTER
E-71492	WAND, NESTING W/CREVICE TOOL
e-60990-2	BRUSH
E-71725-313N	ADAPTER-HOSE
E-61865-4	hose assembly cartoned



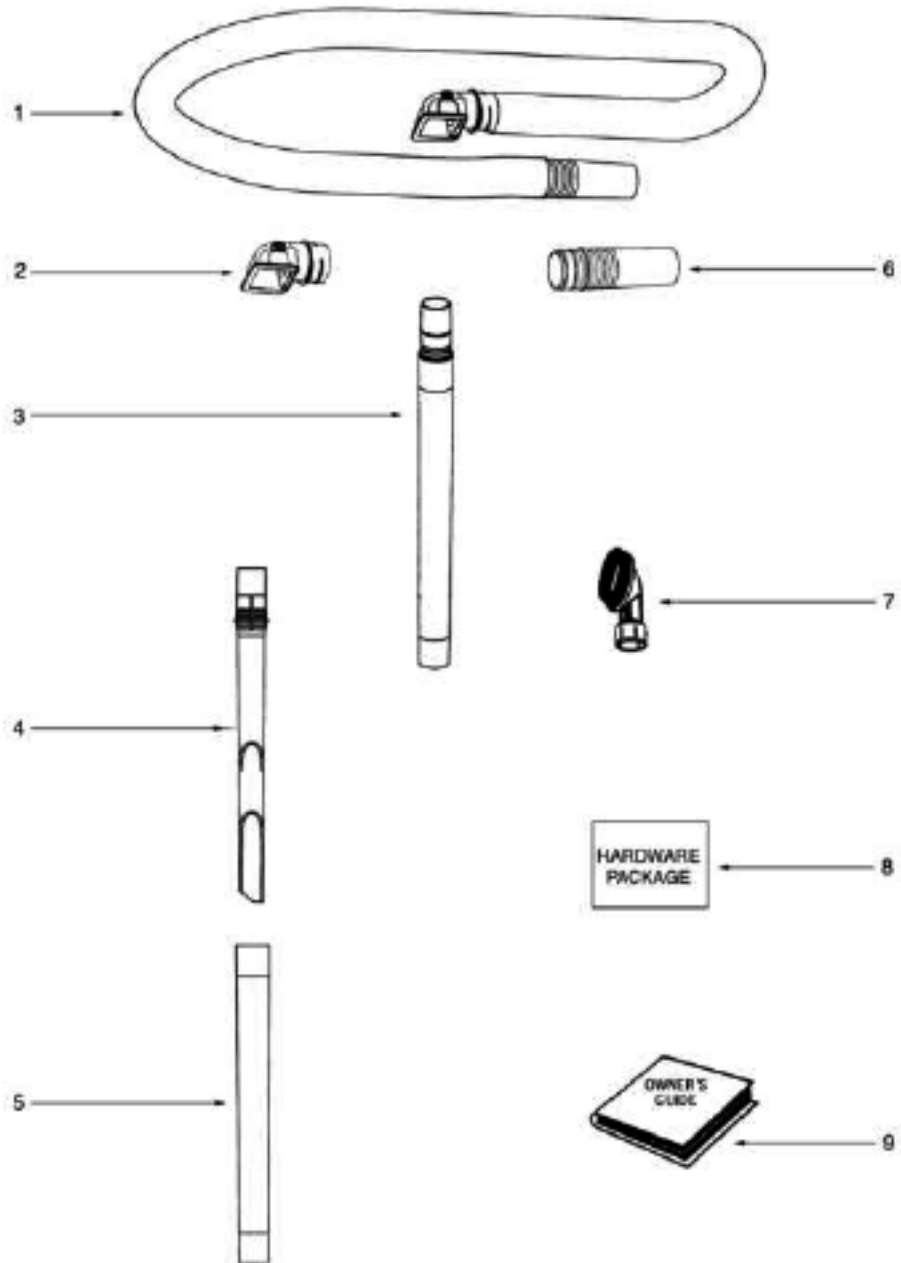
Ref#	Part	Description	Comments	Qty
1	71235-119N	CAP - HANDLE		
2	71473A	HANDLE ASSEMBLY		
3	71746-119N	ADAPTER - CUP		
4	71830-355N	BAG COVER LATCH		
5	71852	SPRING - TORSION		
6	61880-3	BAG COVER ASSEMBLY - PKGD		
7	71747-119N	BAG-IN-PLACE ARM		
8	70864A-119N	HOOK - CORD		
9	53238-44	SCREW PACKAGE		
10	71748	SPRING - TORSION		
11	61820	PAPER BAG PACKAGE - STYLE		
12	71854	GASKET - ADAPTER		
13	71512	GASKET - BAG COVER		
14	71765A	GASKET - LOWER BAG		



Ref#	Part	Description	Comments	Qty
1	39585-2	SUPPLY CORD & TERMINAL AS		
2	39455-1	SWITCH - ROCKER		
3	60192-1	WIRE SPLICE 5		
4	71744	REAR HOUSING ASSEMBLY		
5	71649	GASKET - MOTOR CAN (Eumek		
6	60261-11	MOTOR ASSEMBLY - PACKAGED		
7	71851-119N	MOTOR SCREEN		
8	71480	FILTER - PRE-MOTOR		
9	61879-2	MOTOR COVER ASSY - PKGD		
11	71460-313N	LENS - HEADLAMP		
12	53238-44	SCREW PACKAGE		
13	70701-2	SOCKET & TERMINAL ASSY		
14	57940-3	LAMP - HEADLIGHT		
15	39252-1	THERMOSTAT & TERMINAL ASS		
16	72127	SWITCH COVER ASSEMBLY		
19	71455-119N	TOOL PACK - LOWER		
20	53238-27	SCREW PACKAGE		
21	61830	HEPA FILTER PKG - STYLE H		
22	72006-1	FILTER COVER & GRAPHICS A		
23	70084	BUSHING - MOTOR SUPPORT		
24	71484	GASKET - MOTOR COVER		
25	71969-1	GASKET - MOTOR HUB		
26	71465	CORD - JUMPER		
27	72224-1	FOAM - SOUND		
28	70651-1	TUBE - FLEXIBLE		
29	72167	PLUG		



Ref#	Part	Description	Comments	Qty
1	71466	BASE HOSE ASSY		
2	71447-119N	BASE HOSE ASSY		
3	71673A	FELT - BASE		
4	71448-355N	KNOB - HEIGHT ADJUSTMENT		
5	61877-5	BASE ASSEMBLY - PACKAGED		
6	54943	SPRING PACKAGE		
7	71446-119N	CARRIAGE - WHEEL		
8	71478	AXLE - FRONT		
9	39173A-119N	WHEEL - FRONT		
10	61120A	BELT PKG ASSY-STYLE U EXT		
12	71726-119N	BASE HOSE ASSY		
13	53238-44	SCREW PACKAGE		
14	61878-11	HOOD ASSEMBLY - PACKAGED		
15	71574	SPRING - HANDLE RELEASE		
16	53238-27	SCREW PACKAGE		
17	71487	CLAMP - MOTOR		
18	71457-355N	RELEASE - HANDLE		
19	54432-1	PACKAGE - RETAINING RING		
20	72117-119N	WHEEL - REAR		
21	72113-1	BUSHING - AXLE		
22	38590A	AXLE - REAR		
23	71741	BELT CAP ASSEMBLY		
24	71672A	FELT - BELT CAP		
25	61869-1	BRUSHROLL ASSY - CTND		
26	71831-355N	GUARD - FURNITURE		
27	38063	GUARD - BELT		



Ref#	Part	Description	Comments	Qty
1	61865-4	HOSE ASSY - CTND		
2	71725-313N	ADAPTER - HOSE		
3	71492A	NESTING WAND ASSEMBLY		
4	71956A-355N	WAND - CREVICE		
5	71973-119N	WAND - OUTER		
6	70559A-119N	COUPLING - HOSE		
7	60990-2	COMBINATION BRSH BRSTLD-C		
8	72322	PACKAGE - HARDWARE		
9	72104A	OWNER'S GUIDE		