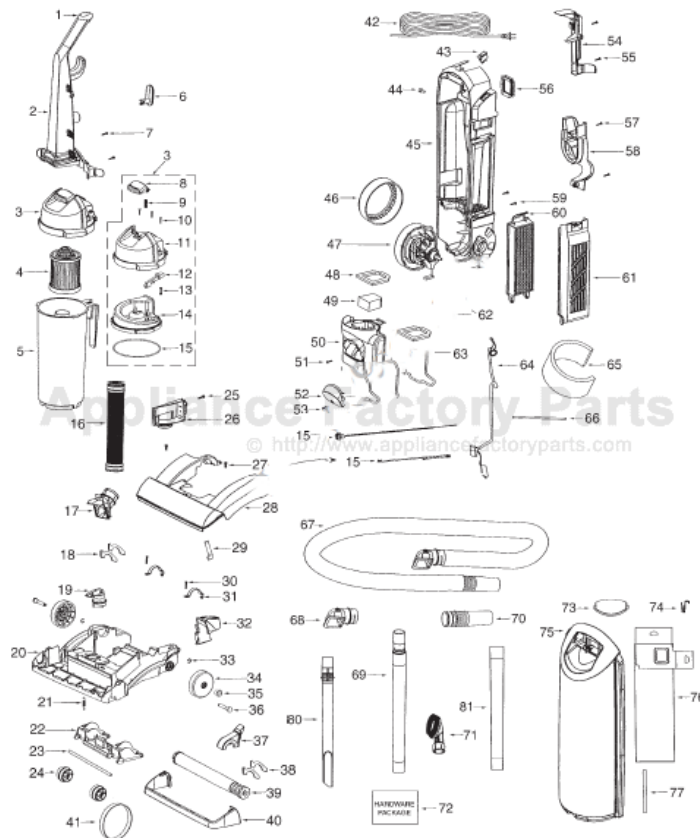


This Owner's Manual is provided and hosted by [Appliance Factory Parts](http://www.appliancefactoryparts.com).



Eureka 5845AH Owner's Manual

[Shop genuine replacement parts for Eureka 5845AH](#)



[Find Your Eureka Vacuum Cleaner Parts - Select From 855 Models](#)

----- Manual continues below part list -----

Available Replacement Parts for Eureka 5845AH

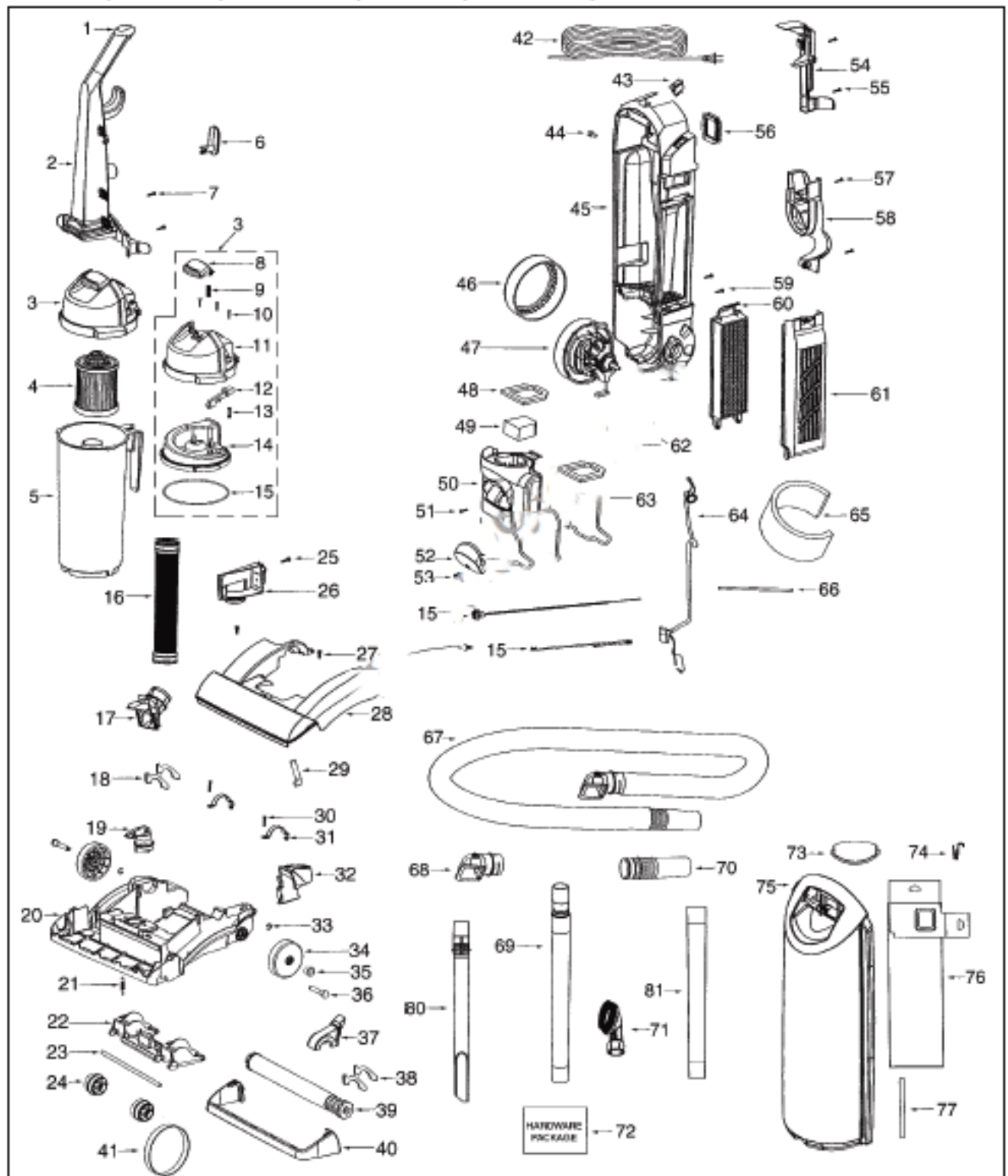
e-39266	BELT OEM EUREKA EXTENED LIFE 1 PACK
E-61830	STYLE HF5 EUREKA HEPA FILTER
E-71492	WAND, NESTING W/CREVICE TOOL
e-60990-2	BRUSH
E-54943	Spring,
E-39173A-119N	Front wheel
HR-3500	HEADLIHT BULB
E-71725-313N	ADAPTER-HOSE
E-61865-4	hose assembly cartoned
ER-2028	ROLLER

EUREKA Original & Replacement

LITESPEED UPRIGHT

Paper Bag Models 5810A, 5810A-1

Dirt Cup Models 5740A, 5740A-1, 5840A, 5840AV, 5843AV, 5843AZ, 5844AV, 5844AZ, 5846AH, 5846AH-1, 5847AV, 5847AVX, 5847AZ



Original & Replacement **EUREKA**

LITESPEED UPRIGHT

Paper Bag Models 5810A, 5810-A-1

Dirt Cup Models 5740A, 5740A-1, 5840A, 5840AV, 5843AV, 5843AZ, 5844AV, 5844AZ, 5846AH, 5846AH-1, 5847AV, 5847AVX, 5847AZ

KEY	PART NO.	DESCRIPTION	KEY	PART NO.	DESCRIPTION
1	E-71235-119N	Handle Cap	43	E-39455-1	Switch
2	E-71473	Handle Assembly	44	SS-3270	Wire Nut
3	E-71537-1	Cyclone Assembly	45	E-72126	Rear Housing - Bagless Models
4	E-61825	Dust Cup Filter Style DCF3	45	E-71744	Rear Housing - Paper Bag Models
4	ER-1830	Dust Cup Filter Style DCF3	46	E-71649	Motor Gasket
5	E-61864-1	Dust Cup Assembly	47	E-80281-11	Motor
6	E-70864A-119N	Upper Cord Hook		E-39252-1	Thermostat
7	E-53238-44	Screw	48	E-71483	Lower Dirt Cup Gasket
8	E-71479-333N	Dirt Cup Latch	49	E-71480	Pre-Motor Filter
9	E-61866	Spring	50	E-61863-1	Motor Cover
10	E-53238-27	Screw	51	E-53238-27	Screw
11	E-72004-1	Cyclone Top (Incl. 8-15)	52	E-71480-313N	Lens
12	E-71785-119N	Filter Catch	53	E-53238-44	Screw
13	E-61867	Spring	54	E-72127	Switch Cover
14	E-71451-119N	Cyclone	55	E-53238-27	Screw
15	E-71475	Cyclone Gasket	56	E-71482	Intake Gasket
16	E-72001	Base Hose Assembly	57	E-53238-27	Screw
17	N/A	(Order E-72001)	58	E-72127-27	Tool Holder
18	E-71673	Base Felt	59	E-53238-44	Screw
19	E-71448-333N	Height Adjustment Knob	60	E-72006	HEPA Filter Style HF5
20	E-61860-1	Base 5740A, 5740A-1	60	E-70084-1	HEPA Filter Style HF5
20	E-61877-1	Base 5800 Series	60	E-61835	HEPA Filter Insert Style HF6
21	E-54943	Spring	61	E-72008-1	Filter Cover
22	E-71446-119N	Front Wheel Carriage		E-72103-1	HEPA Insert Cover
23	E-71478	Front Axle	62	E-70084	Motor Support Bushing
24	E-39173A-119N	Front Wheel	63	E-71484	Motor Cover Gasket
25	E-53238-27	Screw	64	E-71485	Jumper Cord
26	N/A	(Order E-72001)	65	E-38661	Sound Foam
27	E-61862-1*	Hood 5740A	66	E-70651-1	Flexible Tube
27	E-60178-1*	Hood 5810A	67	E-61865-1	Hose Assembly
27	E-61878-2*	Hood 5840A	68	E-71725-313N	Hose Adaptor
28	E-53238-44	Screw	69	E-71492	Nested Wands
29	E-71574	Handle Release Spring	70	E-70559-119N	Hose Coupling
30	E-53238-27	Screw	71	E-80990-2	Combination Brush
31	E-71487	Motor Clamp	72	E-71917	Hardware Package
32	E-71457-333N	Handle Release	73	E-71830-333N	Bag Cover Latch 5810A, 5810A-1
33	E-54432	Wheel Retainer E-Clip	74	E-71852	Bag Cover Latch Spring 5810A, 5810A-1
34	E-72117-119N	Rear Wheel			
35	E-72113	Wheel Bushing	75	E-61880-1	Bag Cover 5810A, 5810A-1
36	E-38590A	Rear Axle	76	E-61820	Paper Bag Style LS 5810A, 5810A-1 3 Pk
37	E-71741	Belt Cover			
38	E-71672	Belt Cover Felt	77	E-71512	Bag Cover Gasket
39	E-61861-1	Brushroll 12 1/2" 5740A, 5740A-1	78	E-70701-2	Headlight Socket
39	ER-2020	Brushroll 12 1/2" 5740A, 5740A-1	79	E-57940-2	Bulb
39	E-61869-1	Brushroll 14 1/2" 5800 Series	79	HR-3500	Bulb
39	ER-2025	Brushroll 14 1/2" 5800 Series	80	E-71958A-355N	Crevice Wand
40	E-71456-355N	Nozzle Bumper 5740A, 5740A-1	81	E-71973-119N	Outer Wand
40	E-71831-355N	Nozzle Bumper 5800 Series			
41	E-39266	Belt			
41	E-61120	Belt 2 Pk			
42	E-38680-29	Power Cord			

N/A = Not Available